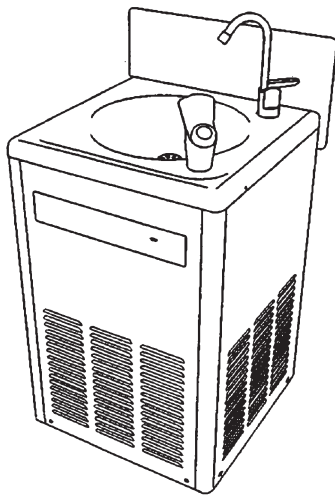


Zip Chillmaster[®]

Wall Mounted Chiller

Affix Model Number Label Here
81495UK



Model: CH102 Wall mounted chiller

The Zip logo, featuring the word "Zip" in a stylized, italicized, outlined font with a registered trademark symbol.

Contents

Safety Information	Page 2
Technical Data.....	Page 3
Parts List	Page 4
Installation Instructions	Page 5
Commissioning	Page 8
Operating Procedure	Page 8
Maintenance.....	Page 8
Cleaning	Page 9
Service	Page 9
Warranty Information / End of Life Disposal	Page 10
Notes.....	Page 11
Contact Details	Page 12

Safety Information



Please read all installation requirements, installation procedures and precautions before installing any Zip Chillmaster.

Never attempt to install any Zip Chillmaster without reading all of the applicable instructions.

Installation, commissioning and maintenance of this appliance must only be carried out by a competent installer who will then be responsible for adhering to all relevant standards and regulations.

Appliance to be wired to a double pole switched fused spur with a minimum breaking capacity of 13 amps.

Installation must comply with current IEE regulations and any Local Authority requirements.

⚡ This appliance must be earthed.

Check that the power supply is switched off prior to electrical connection.

The appliance, its wiring and piping must not be modified in any way.

In case of malfunction isolate the power supply immediately. In case of leaks also isolate the water supply. Repairs must only be carried out by Zip Heaters (UK) Ltd or an authorised Zip service engineer.

If the power supply cable is damaged it must be replaced by a Zip Service Engineer or a qualified electrician.

The cross sectional area of the power supply cable must be appropriate for the power rating and location of the appliance.

The power supply cable must be adequately secured.

Check that the power supply is switched off prior to electrical connection.

Do not remove the appliance cover under any circumstances without first isolating the appliance from the power supply.

Safety Information Continued

This appliance must not be used by any person (including children) with limited physical, sensorial or mental abilities or failing experience and / or knowledge unless they are supervised by a person responsible for their safety or received instructions about how to use the appliance.

Children should be supervised in order to make sure that they do not play with the appliance.

The appliance must only be used when correctly installed and in perfect working order.

This product is approved to the LVD and EMC directives and CE endorsed.

This product has been examined, tested and found when correctly fitted to comply with the requirements of the United Kingdom Water Regulations / Byelaws (Scotland).

The products are listed under the WRAS (Water Regulations Advisory Scheme) Water Fittings and Materials Directory.

Zip Heaters (UK) Ltd cannot be held liable for any damages caused by failure to observe these instructions.

Please leave these instructions with the end user after installation.

Technical Data

Wall mounted water chiller with lever-action carafe filler.

Delivers 140 glasses per hour of chilled filtered water within the operating range of 5 °C to 10 °C.

15 mm water connections.

Maximum water pressure: 0.7 MPa (7 bar).

Power Supply: 1/N/PE 230 V ~

Power Rating: 300 W .

Rated Current: 1.5 A

Chiller type: Fan cooled condenser with a compressor rated at 200 W.

Stainless steel water bowl and outer case.

Storage capacity: Nominal 1.8 litre.

Output capacity: Rated at 140 glasses per hour at <10 °C.

Refrigerant type: Non-toxic R134A.

Carafe filler: Chrome plated brass lever action tap with swivel head.

Outer case: Brushed finish stainless steel case with front access panel.

Filtration type: Submicron filtration.

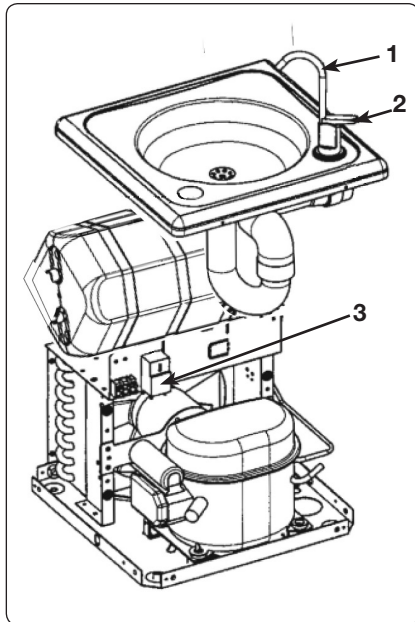
Dimensions: Height: 530mm, Width: 350mm, Depth: 350mm.

Weights:

Empty: 25 kg.

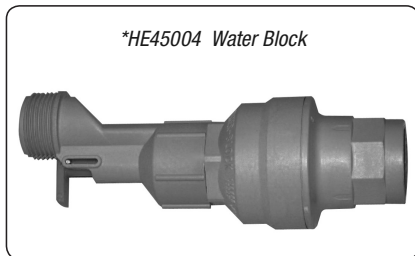
Full: 26.8 kg.

Parts List



Item	Part No.	Description
1	SP81108	Carafe Filler
2	SP80168	Handle (carafe filler)
3	SP7036	Thermostat
	SP90019	Fan Motor Kit (Not Shown)
	ZT002	Sub Micron Filter
	SP87674	Filtration Kit

Optional	ZI001	Drinking Bubbler
Optional	HE45004*	Water Block (Water Shut Down System)
Optional	ZD003	Waste Water Dish
Optional	AQ3	Pressure Reducer set at 0.35 MPa (3.5 bar)



* The recommended optional Water Block is ideal for limiting potential leakage and resulting water damage from water chillers and their supply pipe work which are subject to mains water pressure. It is easily installed via standard 3/4" BSP water connection and can be pre-set from 5 to 50 litres. The Water Block also incorporates a non-return valve.

Installation Instructions

Installing the chiller

The Chillmaster is an indoor unit and must not be exposed to the elements. Leave at least a 50 mm gap between the sides of the Chillmaster and any walls or fixtures, to allow airflow through the vents.

The rear of the unit is flush mounted against the surface of a wall, so the plumbing can pass through the wall or be recessed into the wall.

The illustration, on page 6, shows the exact dimensions for the piping entry positions. A template is included with the unit.

Alternatively, the plumbing can be surface mounted and enter the Chillmaster from beneath. You will need to examine the location to determine the most appropriate method of installation.

Mounting to the wall

Unpack the Chillmaster taking care not to scratch the finish. Unscrew the 4 Phillips head screws (2 on each side) that hold the bowl top in position. Carefully lift and hold the bowl up and away from the casing taking care not to scratch it.

Undo the John Guest (JG) push fit tee (see the diagram to the left) that joins the tube of the carafe filler, from the tube that is coming up from the chiller outlet.

Once disconnected, place the bowl and screws safely aside. The Chillmaster is attached to the wall through its top rear bracket. The fixing holes are located equally off centre, a total of 145 mm apart and 47 mm below the top edge of the unit.

Use a tape measure and pencil to mark the mounting positions on the wall where you propose to attach the Chillmaster.

Use a spirit level to ensure straightness. Accurate dimensions are shown in the illustration on page 6. A template is also supplied.

You must supply and use screws, bolts or fixings appropriate to the type of wall material you are attaching the Chillmaster to. They must be able to support the weight of the Chillmaster, the water it contains and somebody leaning on it.

Plastic plugs are not suitable. Two 1/2" masonry anchors are supplied with the unit for use in solid brick walls only.

Drill a 1/2" hole at least the full length of the anchor.

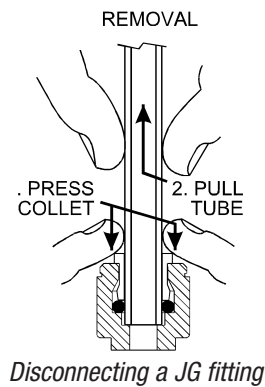
If attaching to a stud wall, properly fit a horizontal nogging with a centre line of about 873 mm above finished floor level.

Mark out and install the cold water line and drainage piping to the positions as shown in the diagram and on the template.

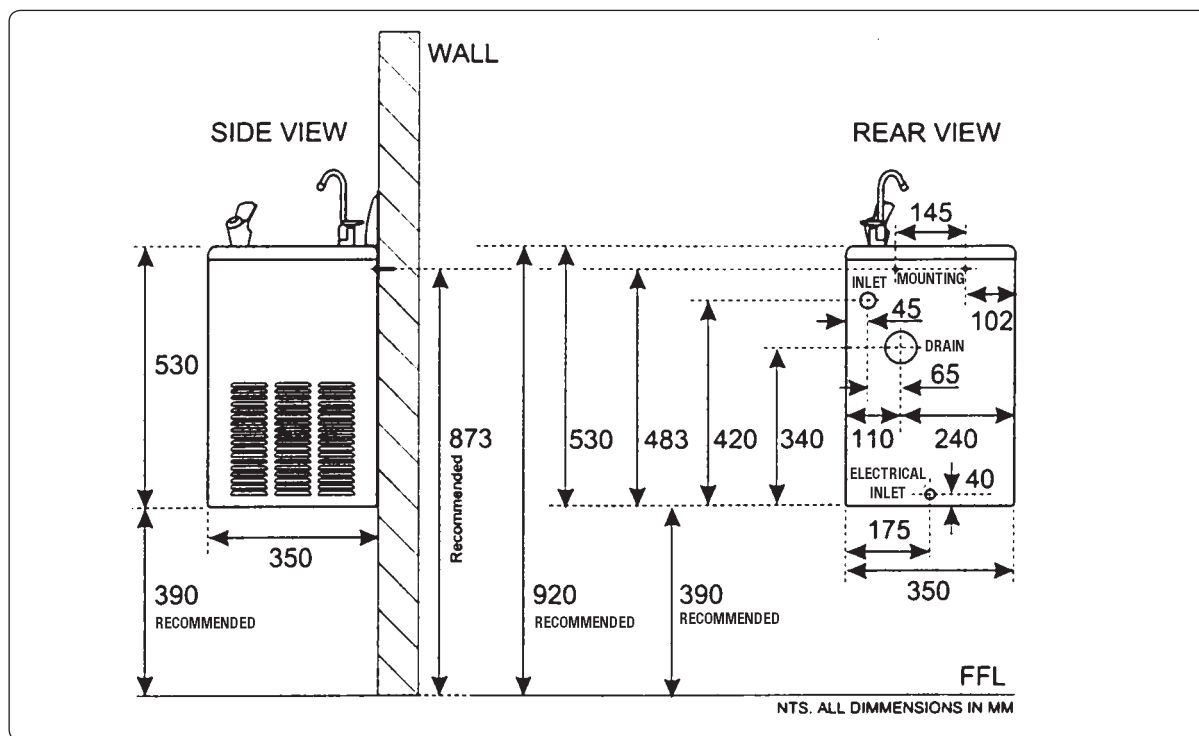
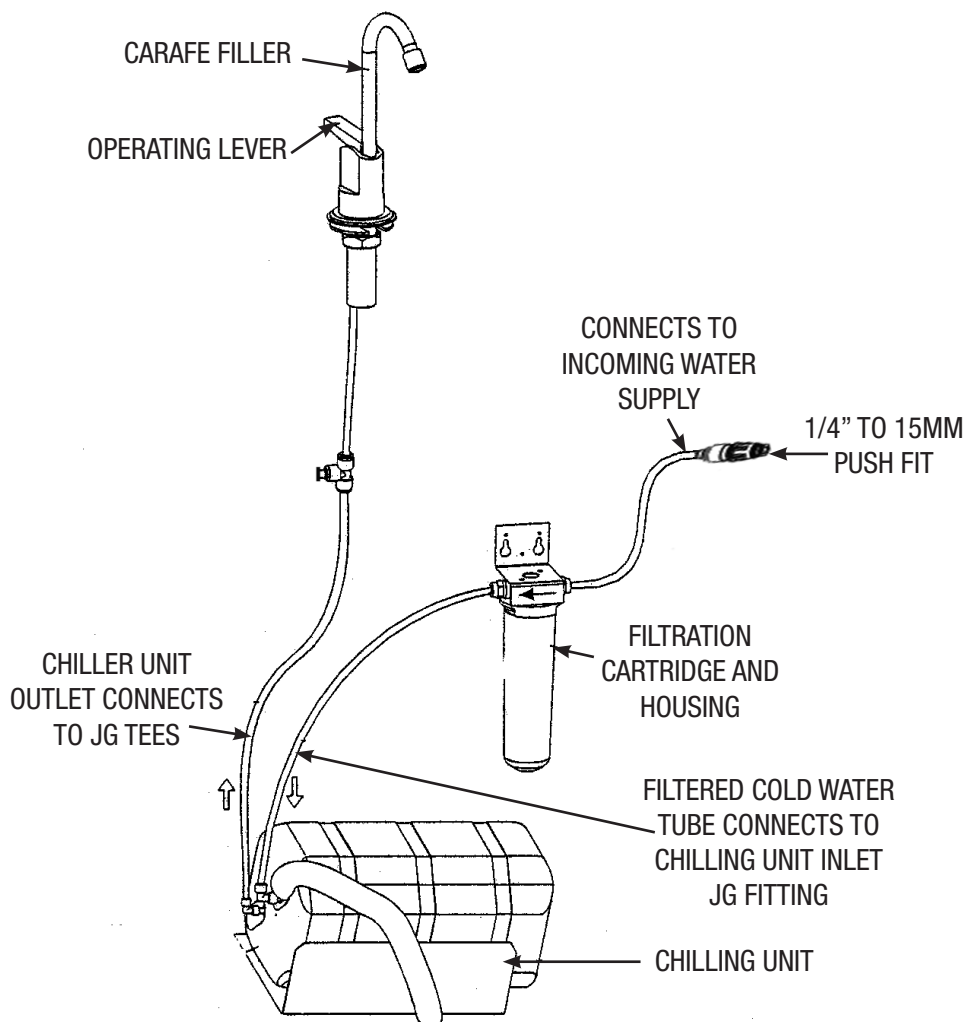
If the electrical supply is to be concealed, have it installed to the position centrally 40 mm above the finished bottom level of the Chillmaster.

Screw the Chillmaster to the wall through the 2 fixing holes in the top rear bracket.

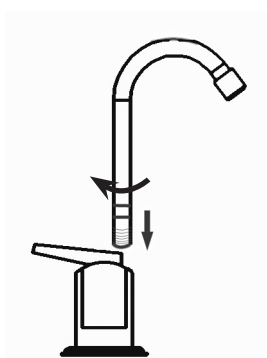
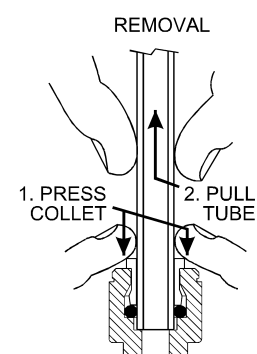
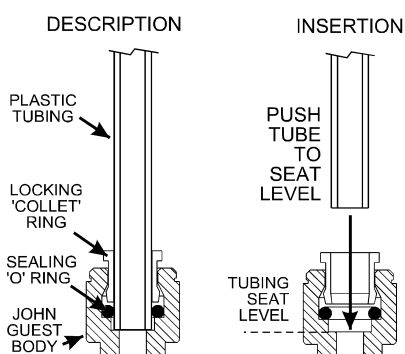
Do not refit the bowl top until the services are connected.



Installation Instructions Continued



Installation Instructions Continued



Unpack the carafe nozzle, insert it into the carafe base and screw in clockwise, do not over tighten

Plumbing NOTE! If the mains water pressure is greater than 0.7 MPa (7 bar) a pressure reducer will be required. AQ3 is available as an option.

The Chillmaster is designed for direct connection to a cold water supply.

Connect the 1/4" tubing from the filter to the JG push fitting at the back of the chiller market 'INLET'. (Instructions for fitting the filter and connecting to the mains water supply are included with the filtration kit SP87675)

Connect a drain to the 40 mm PVC female outlet at the back.

If the plumbing is through the bottom of the unit, adjust the bowl trap to point downwards.

Reconnect the carafe filler tee to the chiller outlet tube that was disconnected earlier. Refit and attach the bowl top to the chiller using the original screws and fit the carafe nozzle.

This appliance incorporates backflow protection. No further backflow protection is required for connection to the water supply.

Electrical

Electrical connection is to be made by a Zip Service Engineer or a qualified electrician.

Appliance to be wired to a double pole switched fused spur with a minimum breaking capacity of 13 amps.

The supply flex must be securely fixed to the clamp provided within the unit. Installation must comply with current IEE regulations and any Local Authority requirements.

⚡ This appliance must be earthed.

DO NOT turn the electric supply 'ON' until the unit is purged.

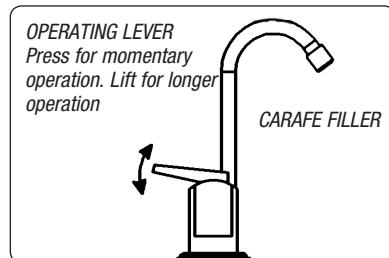
If not yet installed, fit the filter change reminder light batteries to the circuit board matching the polarity. The batteries are located on the inside of the front cover. To remove, undo the the two security fittings at the base of the cover with the supplied key.

Commissioning

Purge the air from the unit when the plumbing connections are complete by turning 'ON' the water supply and pressing the handle on the carafe filler until the water flows through without spluttering.

Check for leaks. Repair any found.

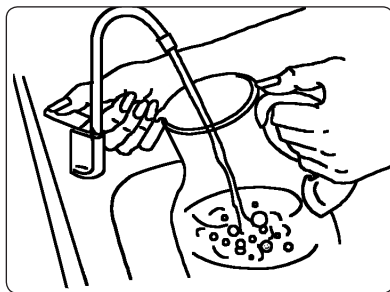
Operating Procedures



Operation

Chilled water is obtained by pressing the button on the top of the bubbler (if fitted), or by pressing the lever on the carafe filler. Lifting the lever on the carafe filler will supply water until the lever is flipped back down.

The water is chilled by a refrigeration unit fitted within the cabinet stand, under the basin.



With the carafe filler, you can obtain chilled water within the rated capacity for as long as you press down the lever. For longer periods, (e.g. when filling a carafe), lift the lever up until it clicks and stays open. Flip it back down to stop the water flow.

Maintenance

Filter replacement

Your Zip Chillmaster has a filter replacement reminder light that shows through the front label. The 2 AAA reminder light batteries (located on the inside of the front cover) must be replaced at the same time as the filter. To remove the cover, undo the two security fittings at the base of the cover with the supplied key.

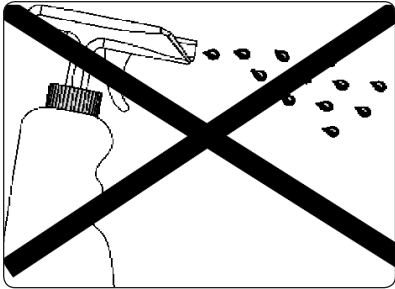
Normal operation is for the light to flash once per minute. When the filter cartridge is due for replacement, the indicating light will flash once per second.

For safe operation, the filter cartridge should be replaced at least every 6-12 months, or when the reminder light flashes once a second, or earlier if:

- A. you notice a persistent reduction in water pressure from the appliance;
- B. an unpleasant taste or odour in the water.

Use only a Zip ZT002 Filter to match that used in the Chillmaster. Replacement filter cartridges can be obtained through plumbing suppliers or directly from Zip.

Cleaning



Cleaning

Never use strong, corrosive or abrasive cleaning materials.

Wipe clean the outer surfaces with a sponge or a soft cloth using a mild soap and water.

The basin is made of stainless steel that will show scratches if an abrasive cleaning product is used.

The louvres on the sides need to be kept free of dust and lint to permit free flow of air throughout the vents. They should be checked regularly, at least monthly, and dusted or vacuumed.

Service

There are no user serviceable parts but there are dangerous voltages present within the unit. All service work must only be carried out by a suitably qualified and experience service person.

Before calling for service, check that both the water and electricity supplies are turned 'ON' and OK.

Call an electrician, a plumber, or Zip Customer Service for assistance, service, spare parts, or enquiries.

Zip customer service 0845 602 4533.

Warranty Information

The Zip appliance you have chosen is precision-built from the finest materials available and should give many years of trouble free service.

Certain warranties may be implied by law into your contract with Zip. The warranty provided below is additional to these implied warranties and nothing set out below shall limit your statutory rights or rights at law.

Zip Heaters UK Ltd warrants that, should any part fail within 12 calendar months of installation, that part will be repaired or replaced free of charge by Zip or its Distributor or Service Provider, except as set out below, provided the appliance is installed and used strictly in accordance with the instructions supplied, and that failure is not due to accident, misuse, abuse, unsuitable water conditions, or to any alteration, modification or repair by any party not expressly nominated by Zip.

No costs are payable by the customer other than any mileage or travelling-time charges incurred by a Zip Service Provider or the cost of removal, cartage and re-installation of any component of the appliance if it needs to be returned for repair to Zip or its Distributor.

This warranty does not cover damage resulting from non-operation of the appliance or consequential damage to any other goods, furnishings or property.

No warranty applies to the life of any filtration cartridge installed with the appliance as cartridge life may vary according to water quality and the rate of water consumption.

Zip does not exclude, restrict or modify any liability that cannot be excluded, restricted or modified or which cannot, except to a limited extent, be excluded, restricted or modified as between the owner or user and Zip under the laws applicable.

Furthermore, this warranty does not displace any statutory warranty, but, to the extent to which Zip is entitled to do so, the liability of Zip under any statutory warranty will be limited at Zip's option to the replacement of the appliance or supply of equivalent appliance, the payment of the cost of replacing the appliance or acquiring an equivalent appliance, or the payment of the cost of having the appliance repaired or the repair of the appliance.

Registering Your Purchase

Registering your Zip installation on the Zip website may help to establish date of installation should it become necessary to service the appliance under terms of the Zip warranty. To register your installation go to www.zipheaters.co.uk and look under the heading "Warranty".

In order to help preserve our environment we ask that you dispose of this product correctly. Please contact your local council for collection centre details.

End of Life Disposal

The use of this crossed out wheeled bin logo indicates that this product needs to be disposed of separately to any other household waste.

Within each of the European Union member countries, provisions have been made for the collection and recycling of unwanted electrical and electronic equipment.

In order to preserve our environment we ask that you dispose of this product correctly. Please contact Zip Customer Service for advice on 0845 602 4533.



Notes

Contact Details

*Zip Heaters (UK) Ltd,
14 Bertie Ward Way,
Dereham,
Norfolk,
NR19 1TE*

*www.zipheaters.co.uk
Telephone: 0845 6024533
Fax: 01362 692448*

*Web: www.zipheaters.co.uk
e-mail: info@zipheaters.co.uk*



Registering Your Purchase

Registering your Zip installation on the Zip website may help to establish date of installation should it become necessary to service the appliance under terms of the Zip warranty.