

Quick Start Guide

Note VENTILATION IS ESSENTIAL Read 'Step 2' 'Ventilation' before you start.

Note This Quick start guide must be read in conjunction with the Installation instructions, User guide and Tap installation instructions.

- Before proceeding, read the Installation instructions and User guide.
- Check all the components are present and correct.
- Check that you have all the necessary tools.
- Ensure the under-counter cupboard floor can support the product weight when full of water, (check the specifications in the Installation instructions and allow an extra 3kg when full of water).



Prior to installation, ensure that the following have been provided at the installation site.

- Sufficient space in the cupboard to install the Command-Centre™ and its ancillary components. Refer to the Technical specification of the Installation instructions for dimensions.
- A wholesome water supply connection with min / max working pressures of: (refer to the Technical specification of the Installation instructions for specific model information).
- An isolating valve inside the cupboard within reach of the flexible braided hose and positioned so that the connection point and the stop cock will not be obstructed when the Command-Centre and its ancillary components are installed.
- For Zip HydroTap®G4, a single 230V AC, 13A socket is required.
- The Command-Centre must be installed in accordance with IEE regulations. See Technical specification, Installation instructions for power ratings.

Note Check the cable lengths and outlet positions before proceeding and ensure that the tap location will allow the tap spout to drain into the sink.

- The Command-Centre must be mounted in an upright position, with its base mounted horizontally.

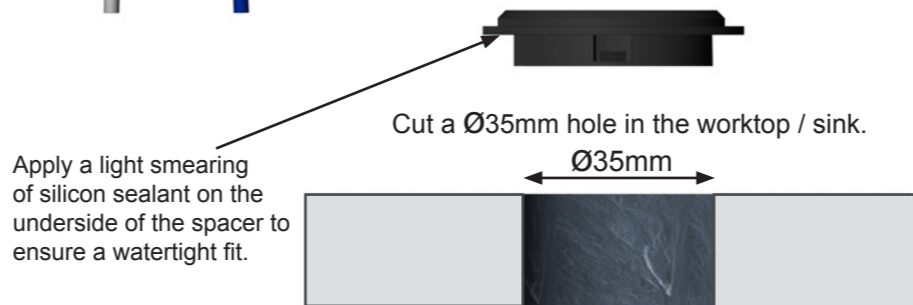
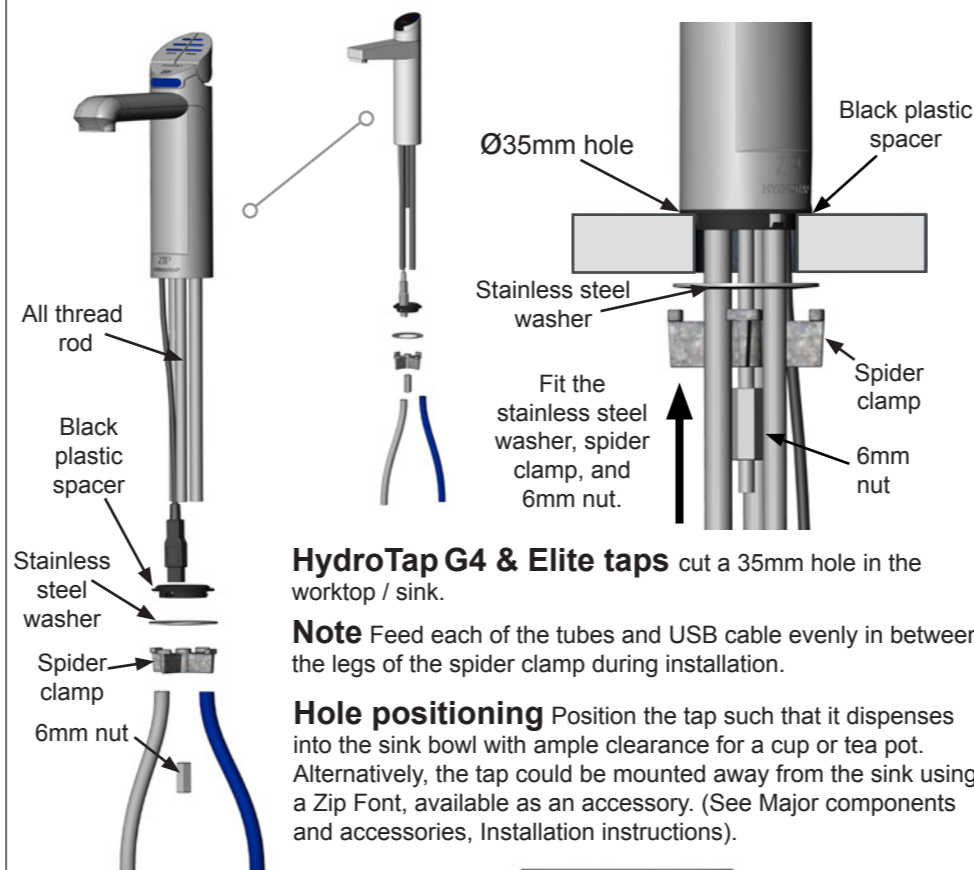
IMPORTANT! Do not proceed with the installation if these requirements are not met.

Parts supplied	Description	Parts supplied	Description
	1 x HydroTap G4* Classic, Elite or *Arc / Cube # (inc. Tube kit)		1 x User guide and 1 x Quick start guide 1 x Installation instruction
	1 x Command-Centre with air and water filters		1 x Mains water connection hose
	Duct kit 1 x Outlet vent 1 x Inlet vent		

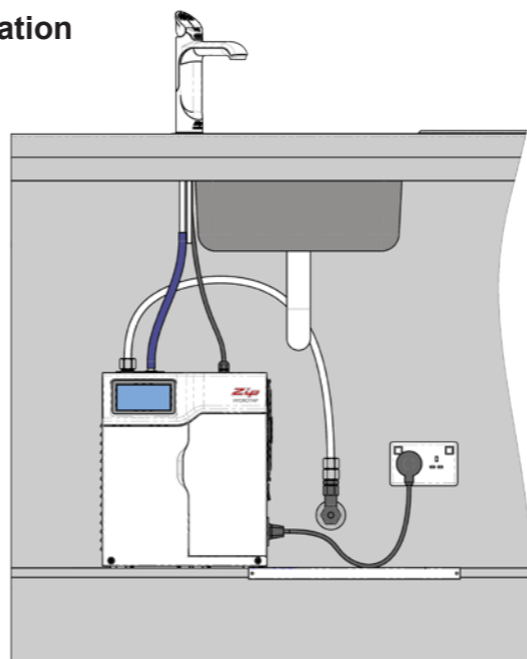
* Tap options supplied are dependant upon configuration purchased.

Step 1- Prepare and install the taps.

HydroTap G4 Classic & Elite tap installation



Example Classic HydroTap installation



HydroTap G4 Arc / Cube tap installation

The HydroTap Arc / Cube has a spout that may be fixed in one of 6 angular positions (depending on the position of the rotary control) and fixed in one of two height positions. The spout is fixed and does not swivel.

Configuring the tap

- Remove the 2 x spout locating screws and lower the spout to expose the plastic spring clip.

Note The plastic spring clip has two internal dimples that may be positioned in the 6 upper or 6 lower, pre drilled holes in the spout (see diagram below).

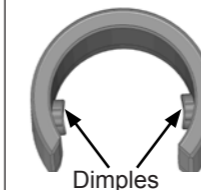
- To reposition the spout, gently spread the plastic spring clip to release the dimples from the spout holes. When released, slide the clip on the spout so that it ends up between the two rows of holes.
- Rotate the plastic clip on the spout to orient the dimples, so they are in line with the newly selected holes.

Note When determining which of the 6 holes are required for the new spout height and orientation, check the new plastic clip position will clear the undercut and that the USB lead will not be pinched, when assembled.

- Slide the plastic clip up/down to engage with the selected holes, making sure the two dimples engage simultaneously with the two selected holes.

Note The clip will not fit correctly if one dimple engages before the other.

Plastic spring clip Both dimples must engage at the same time.



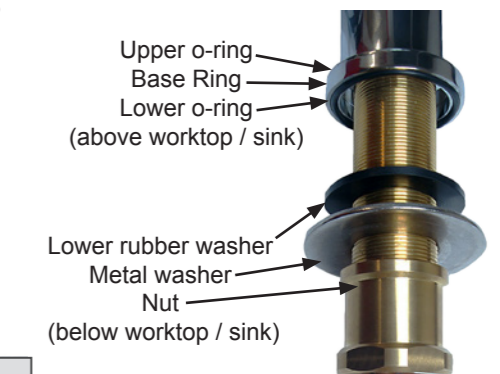
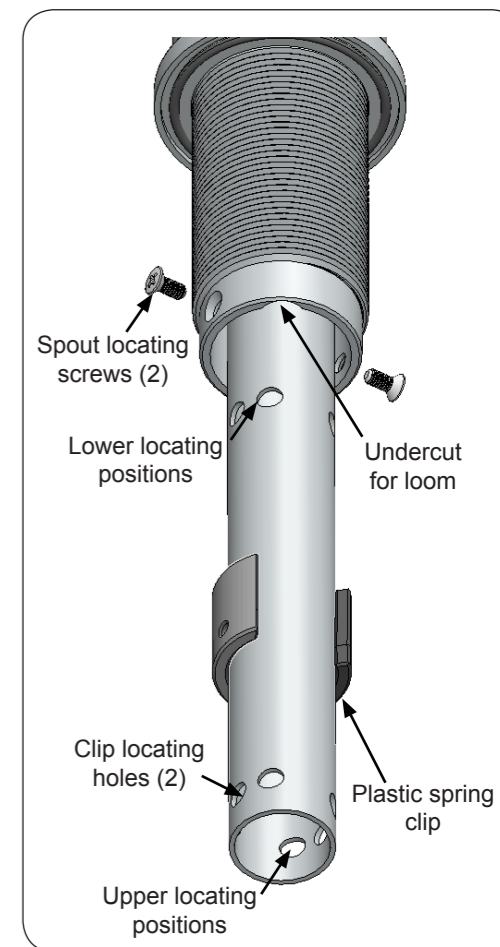
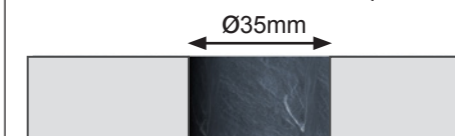
- With the clip fitted to the newly selected holes, carefully raise the spout (ensure the USB lead is a neat fit in the undercut and is located between the open ends of the clip) until the clip locating holes are in line with the spout locating screws.

undercut and is located between the open ends of the clip) until the clip locating holes are in line with the spout locating screws.

- Replace the 2 x locating screws.
- If mounting on an uneven surface, apply a light smearing of silicon sealant on the o-rings to ensure a watertight fit.
- Pass the assembly (ensuring upper o-ring, base ring and lower o-ring are in place) through the Ø35mm hole and position the tap so it discharges into the sink.
- Fit the lower rubber seal to the threaded extension.
- Secure the tap in position with the metal washer and nut.

Note Make sure the tap location will allow the tap spout to drain into the sink.

Cut a Ø35mm hole in the worktop / sink.



Step 2- Cut cupboard holes and fit the air vent ducts.

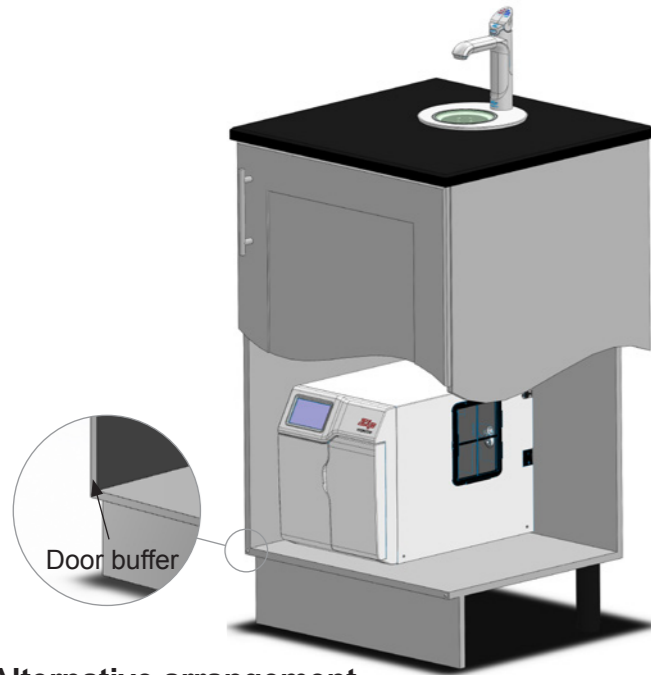
Ventilation

Ventilation for all models

- The clearance envelope dimensions stated in the specification sheets and installation instructions must be observed.
- Adequate ventilation must be provided to ensure that the cupboard space temperature does not exceed 35°C.

Preferred arrangement

4mm door buffers (at the four corners of each door) supplied with the Command-Centre should be used to provide adequate ventilation in normal usage, (as shown in the diagram below).



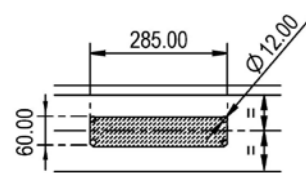
Important See Command-Centre installation, adjacent.

Alternative arrangement

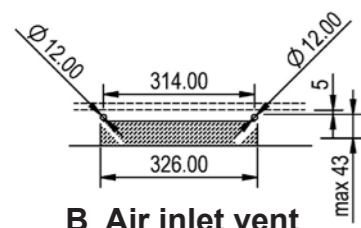
- In situations where the cupboard temperature is 35°C or greater, the vent kit supplied with the Command-Centre should be used to provide adequate ventilation by convection.

Note The vent kit has to be installed in a way that allows air to be drawn in from the bottom of the cupboard and expelled through the top of the cupboard. The outlet vent **A** should be towards the top of the door (position **A1**) or side of the cupboard (position **A2**) as shown in the adjacent diagram.

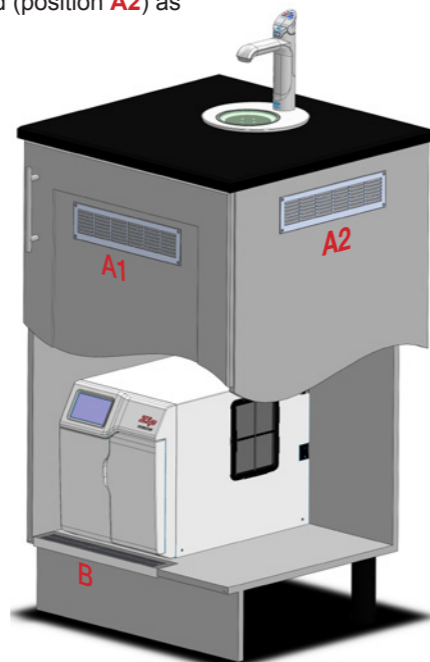
Vent cut-out details



A Air outlet vent
(flat vent)



B Air inlet vent



Step 3- Installing the Command-Centre.

Command-Centre installation

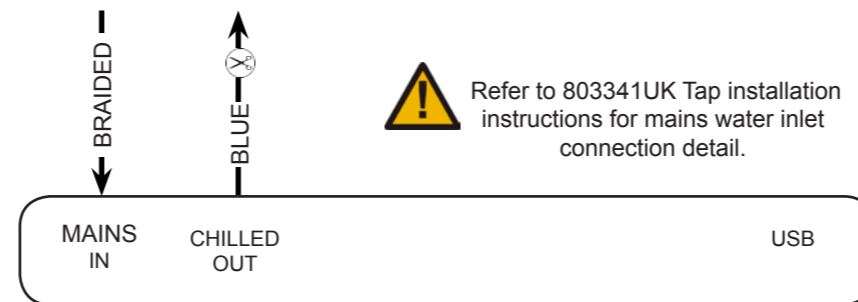
Example HydroTap G4 Classic chilled model (for Arc / Cube, also refer to the tube kit assembly instructions supplied with the tap head).



Elite Classic Arc / Cube

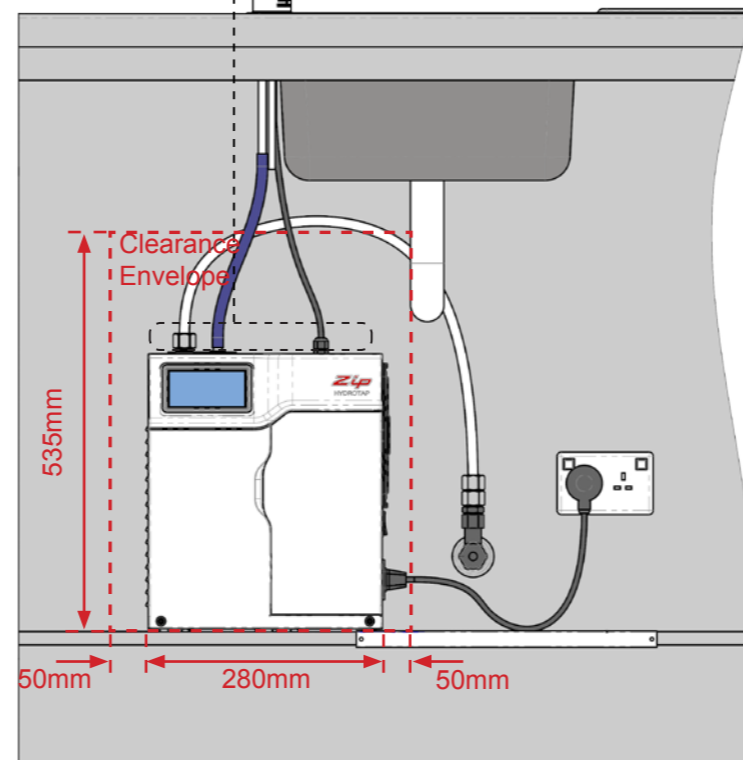
Braided hose fitting

Install the mains water braided hoses to the Command-Centre before locating in place.



Note All silicon tubes / plastic pipes must be cut to size. They must have a constant fall back to the Command-Centre.

Note Ambient mains water braided hose length is 750mm. Electrical power cable length is 3.0m nom. Position the Command-Centre according to the hose and cable lengths supplied.



Note The braided hose and connection tubes cannot be lengthened. Use insulation supplied to cover the blue chilled water tube.

Step 4- Commissioning.

Commissioning

The HydroTap G4 is now ready to be commissioned.

- Turn the electrical power on at the mains and the ON/OFF switch on the side of the Command-Centre. Turn the water on and check for any leaks.
- Familiarise yourself with the operation of the tap, in preparation for use.

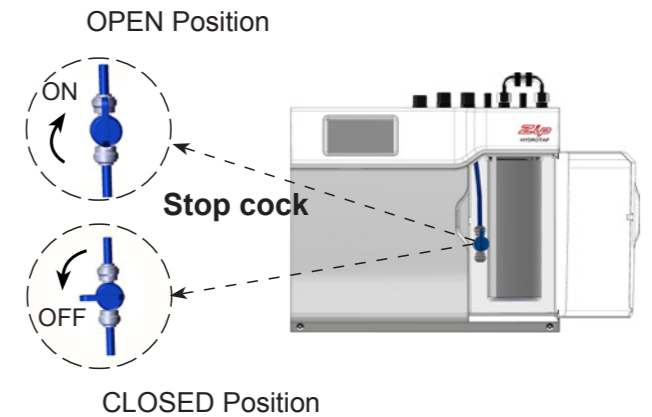
To set the language

- Press the [Language] button for main menu.
- Select [English] or [Deutsch].

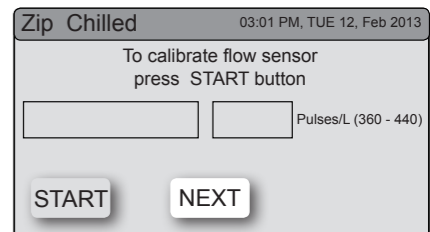
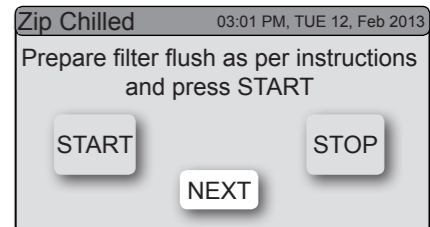
Filter flush

Have a bucket or similar container (not supplied) at the ready to hold a quantity of water that will be ejected while the filter flush mode is in operation. Open the filter access door on the front of the Command-Centre and the filter cartridge will be exposed. Located to the rear right hand side of the cartridge is a flush line, approx 600mm long, and the flush line stop cock. Place the free end of the flush line into the bucket or container (not supplied).

Note at first commissioning, the system will select the filter flush screen automatically.



- Press [START] / [STOP] button to start and stop the filter flush.
- Turn the flush stop cock on.
- Allow at least 10 litres of water to flush through the filter.
- Once the filter flush is finished, Turn the stop cock off then press [STOP] to end filter flush mode.
- Press [NEXT] for the flow calibration screen.



System flush



WARNING! Ensure all sanitising residue is flushed out prior to use.

When the filter flush and flow calibration has been completed, flush the system of trapped air and sanitisation residue by dispensing water from the tap until it flows without any further spluttering. Dispense at least 6 litres of water and check the water is clear with no soapy looking bubbles from the residue of the factory sanitisation process.