



Zip InLine

Single lever mixer tap & fittings kit.

Model number:
ES/MT, ES4/MT, ES6/MT



SAFETY INFORMATION

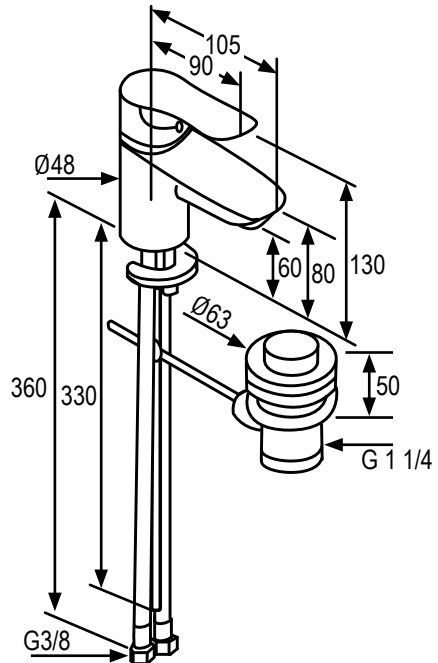


WARNINGS

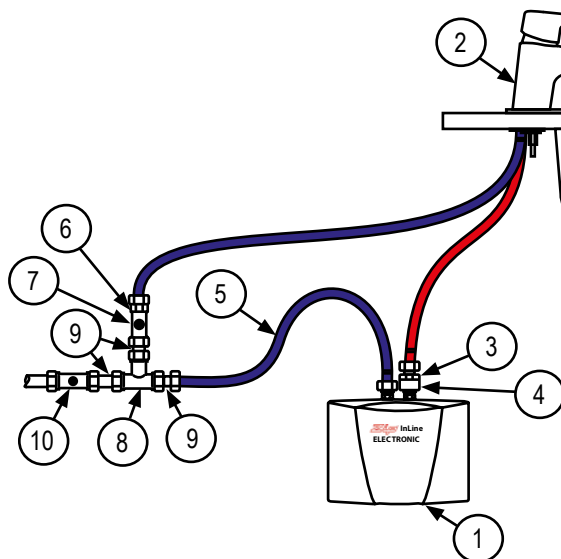
- These instructions must be read, fully understood and implemented, in conjunction with the instructions provided with the ES instantaneous water heater.
- For guidance call Zip on 0345 6 005 005.
- The appliance must be disconnected from mains power supply before carrying out any work involving live circuits.
- The appliance must be installed by a competent person familiar with electric instantaneous water heaters.
- To prevent back-flow and contamination of the water supply for drinking and culinary purposes, taps must provide an AUK2 or AUK3 air gap between the outlet & basin.
- The MT tap provides a type AUK2 air gap for domestic usage and a type AUK3 air gap for non-domestic locations.
- An isolation valve with 15mm compression fittings should be installed on the cold water supply pipe for connection to the hand wash pack and to enable future maintenance.

TECHNICAL DATA

- ES Instantaneous water heater (see instructions supplied with the ES system).
- Tap type - basin mounted single lever mixer tap.
- Mounting hole size $\text{Ø}31\text{-}35\text{mm}$.
- Pop up waste size 1 1/4 inch.
- WRAS approved.
- Dimensions , see adjacent drawing.



INSTALLATION



Contents

1. ES Instantaneous water heater
2. Single lever mixer tap
3. 1/2" female to 3/8" male reducer
4. 1/2" check valve
5. 15mm - 1/2" BSP braided hose
6. 1/2" male - 3/8" male reducer
7. 15mm - 1/2" flow adjuster
8. 15mm equal T piece
9. 15mm copper pipe (not supplied)
10. 15mm isolating valve (not supplied)

Installation procedure

- Secure the tap through the hole in the basin with the rubber washer, fixing plate and nut supplied. Install the pop up waste as required.
- Position the ES instantaneous water heater within comfortable reach of the braided hose from the tap and install the heater according to its separate instructions.
- Connect the 1/2" check valve (4) and 1/2"-3/8" reducer (3) to the hot outlet connection on the heater before connecting the hot supply braided hose from the tap.
- Run 15mm copper pipe from the isolation valve (10) to a convenient point within comfortable reach of the cold supply braided hose from the tap and terminate with the T piece (8).
- Using a short length of copper tube from the side outlet of the T piece, connect the 15mm - 1/2" flow adjuster (7) and the 1/2" - 3/8" reducer (6) before connecting the cold supply braided hose from the tap.
- Using another length of copper tube from the T piece, connect the braided hose (5) to the cold inlet connection of the heater.
- Ensure all braided hoses are not stretched, kinked, crushed or coiled and secure all pipework, hoses and fittings as necessary to a convenient wall or cupboard side.
- Turn on the water supply & operate the tap and dispense water for two minutes.
- Check all connections for leaks and rectify as necessary.
- The flow adjuster (7) can be used to balance the hot and cold flow from the mixer tap.

Maintenance

- The MT taps have a high quality finish and should be treated with care.
- An occasional wipe with a mild soap on a soft damp cloth followed by a thorough rinse, is all that is required.
- Do not use abrasive or chemical household cleaners, as this may cause damage.

Warranty

- See instructions supplied with the ES instantaneous water heater.



IT'S WATER. REFRESHED.



Zip Water UK

14 Bertie Ward Way, Dereham, Norfolk NR19 1TE

0345 6 005 005 sales@zipindustries.co.uk

www.zipwater.co.uk