



# ZIP HYDROTAP CELSIUS ALL-IN-ONE ARC BCHA 100/75

Order Code MT2773Z7

Zip HydroTap Design Range CELSIUS All-In-One Boiling & Chilled Filtered water, plus Hot and Cold washing up water from a single tap. The appliance features a single under bench command centre including full colour interactive touch screen display with pin code protection, boiling water safety mode, 3 energy saving modes including sensor activated "sleep when its dark" and 0.2 micron water filtration.



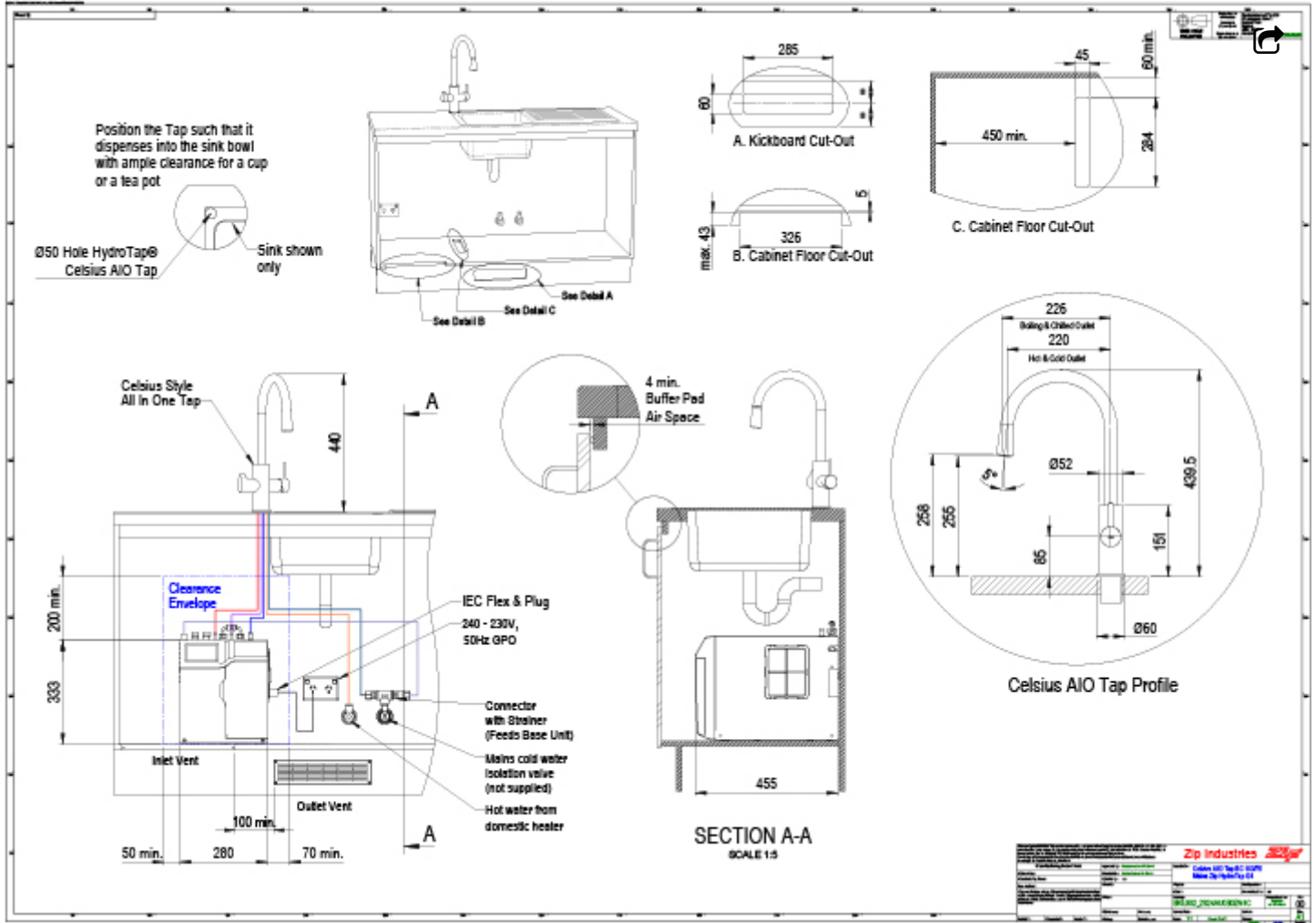
Manufacturing Code	X
Capacity	Commercial
Disability Options	Unavailable
Boiling Cups per hour	100
Combined Chilled and Sparkling Cups per hour	75

<b>Water Pressure</b>	Min 250kPa - Max 700kPa
<b>Water Connection</b>	12.7mm BSP
<b>Water Supply Requirements</b>	Cold and Hot
<b>Water Valves</b>	Integrated 500kPa Pressure limiting valve and Dual Check Valve
<b>Power Rating</b>	2.125kW 220-240V 50/ 60Hz
<b>Booster Power Rating</b>	n/a
<b>Power Supply</b>	1 x 10Amp GPO
<b>Dimensions</b>	H333mm x W394mm x D464mm
<b>Product Approvals</b>	WaterMark, CE, RCM
<b>Wels Rating</b>	5 Star, 5.5 litres
<b>Warranty</b>	5 years (appliance warranty 36 months plus additional 24 months tank warranty)

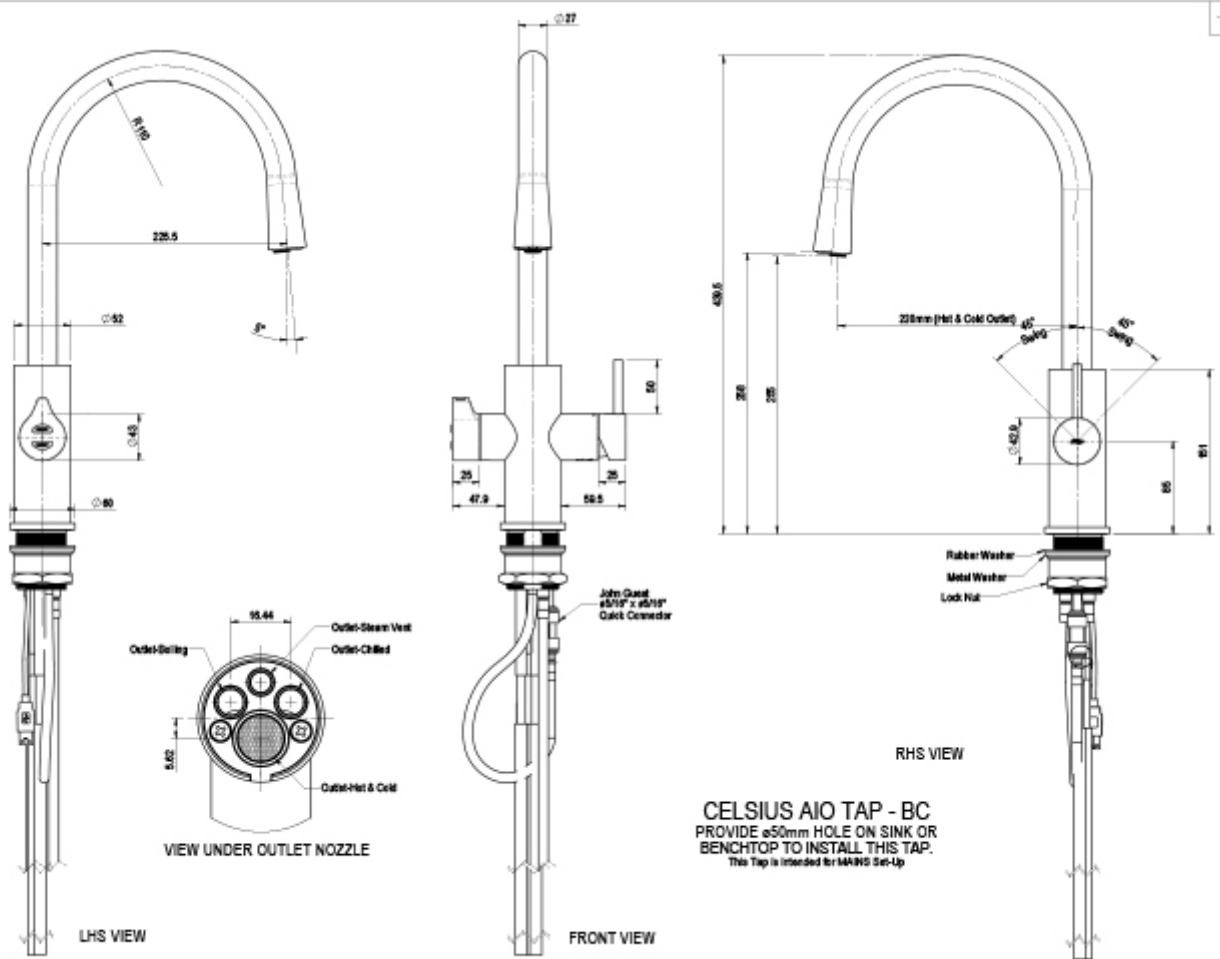
# Installation Requirements

1. Installation and connection of your Zip HydroTap must be carried out by a qualified person, observing national and local regulations.
2. You will require suitable mains electrical and drinking water connections, plus waste water drainage all within 1.5 metres of the product.
3. HydroTap is air-cooled so discrete cabinetry cut-outs are required for ventilation.
4. Installation on most bench tops is straightforward however some stone bench tops may require a specialised cutting service.
5. If you live in a hard water area, we recommend installation of a Zip scale filtration kit.
6. Installation by Zip Professional Service can be arranged with a phone call or through [www.zipwater.com](http://www.zipwater.com)

## Installation Detail



Tap Detail



**CELSIUS AIO TAP - BC**  
 PROVIDE ø50mm HOLE ON SINK OR  
 BENCHTOP TO INSTALL THIS TAP.  
 This Tap is intended for MAINS Set-Up

804680

