



# ZIP HYDROTAP ARC BC 100/75

Order Code HT2764Z4

Zip HydroTap Design Range Boiling, Chilled, Filtered water appliance featuring a single under bench command centre including full colour interactive touch screen display with pin code protection, boiling water safety mode, 3 energy saving modes including sensor activated "sleep when its dark" and 0.2 micron water filtration.

Manufacturing Code	2824AU0T0ZN1C
Capacity	Commercial
Disability Options	Unavailable
Boiling Cups per hour	100
Chilled Cups per hour	75



**Tap** Zip HydroTap Design Range ARC Tap (Rose Gold)

**Water Pressure** Min 172kPa - Max 700kPa

**Water Connection** 12.7mm BSP

**Water Supply Requirements** Cold

**Water Valves** Integrated 500kPa Pressure limiting valve and Dual Check Valve

**Power Rating** 2.05kW 220-240V 50Hz

**Booster Power Rating** n/a

**Power Supply** 1 x 10Amp GPO

**Dimensions** H333mm x W280mm x D455mm

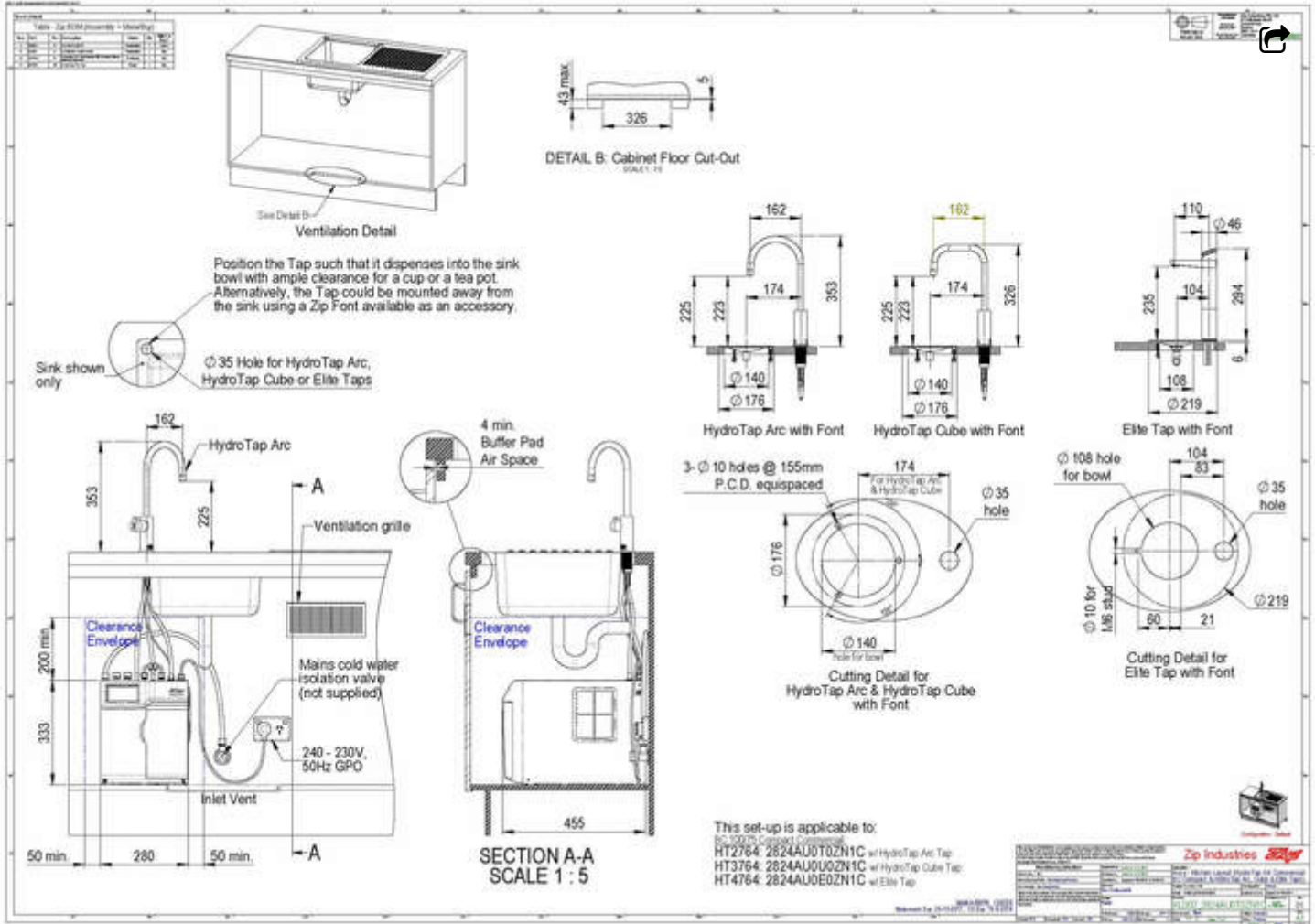
**Product Approvals** WaterMark, CE, RCM, ARC

**Warranty** 5 years (appliance warranty 36 months plus additional 24 months tank warranty)

## Installation Requirements

1. Installation and connection of your Zip HydroTap must be carried out by a qualified person, observing national and local regulations.
2. You will require suitable mains electrical and drinking water connections, plus waste water drainage all within 1.5 metres of the product.
3. HydroTap is air-cooled so discrete cabinetry cut-outs are required for ventilation.
4. Installation on most bench tops is straightforward however some stone bench tops may require a specialised cutting service.
5. If you live in a hard water area, we recommend installation of a Zip scale filtration kit.
6. Installation by Zip Professional Service can be arranged with a phone call or through [www.zipwater.com](http://www.zipwater.com)

## Installation Detail



# Tap Detail

