



# HYDROTAP G5 BCSHA100 CELSIUS CELSIUS ALL-IN-ONE ARC MATTE BLACK



BOILING



CHILLED



SPARKLING



HOT & AMBIENT

FILTERED

UNFILTERED

## Order Code H57763Z03AU

Zip HydroTap Design Range CELSIUS All-In-One Boiling, Chilled & Sparkling Filtered water, plus Hot and Cold washing up water from a single tap. The system features a single under bench command centre including full colour interactive touch screen display with pin code protection and customisable settings including boiling water safety mode, 3 energy saving modes including ON/OFF timers and 2 hour sleep mode, 'Quiet' mode with automated intelligent fan speed adjustment, SteriTouch® antimicrobial protection impregnated into key water paths for enhanced hygiene, 100% water efficient air cooled technology, 0.2 micron water filtration, and a refillable CO2 cylinder. Easy to install integrated ventilation tray included.



Manufacturing Code H57763Z03AU

Capacity Commercial

Boiling Cups per hour 240

Combined Chilled and Sparkling Cups per hour 175

Tap Zip HydroTap Design Range CELSIUS All-In-One ARC Tap (Matte Black)

Water Pressure Min 250kPa - Max 700kPa

Water Connection 1/2" BSP (G1/2)

Water Supply Requirements Cold and Hot

Water Valves Integrated 500kPa Pressure limiting valve and Dual Check Valve

Power Rating 2.15kW 220-240V 50Hz

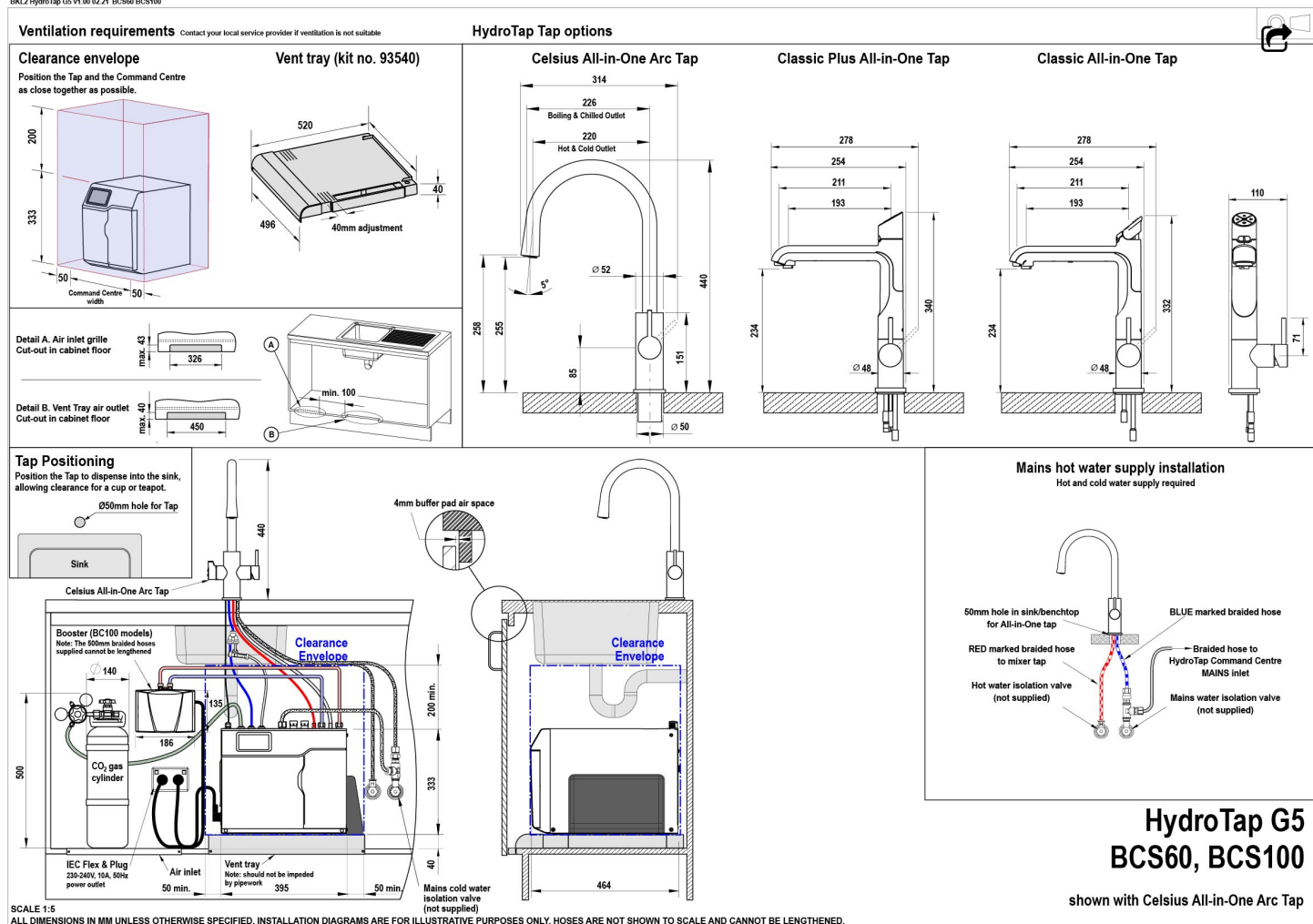
<b>Booster Power Rating</b>	Zip HydroTap Booster 2.2kW 220-240V 50/60Hz
<b>Power Supply</b>	2 x 10 Amp socket outlets
<b>Dimensions</b>	W395mm x D464mm x H333mm
<b>Product Approvals</b>	WaterMark, RCM, ARC
<b>Wels Rating</b>	5 Star, 5.5 litres
<b>Warranty</b>	5 years (appliance warranty 36 months plus additional 24 months tank warranty)

## Installation Requirements

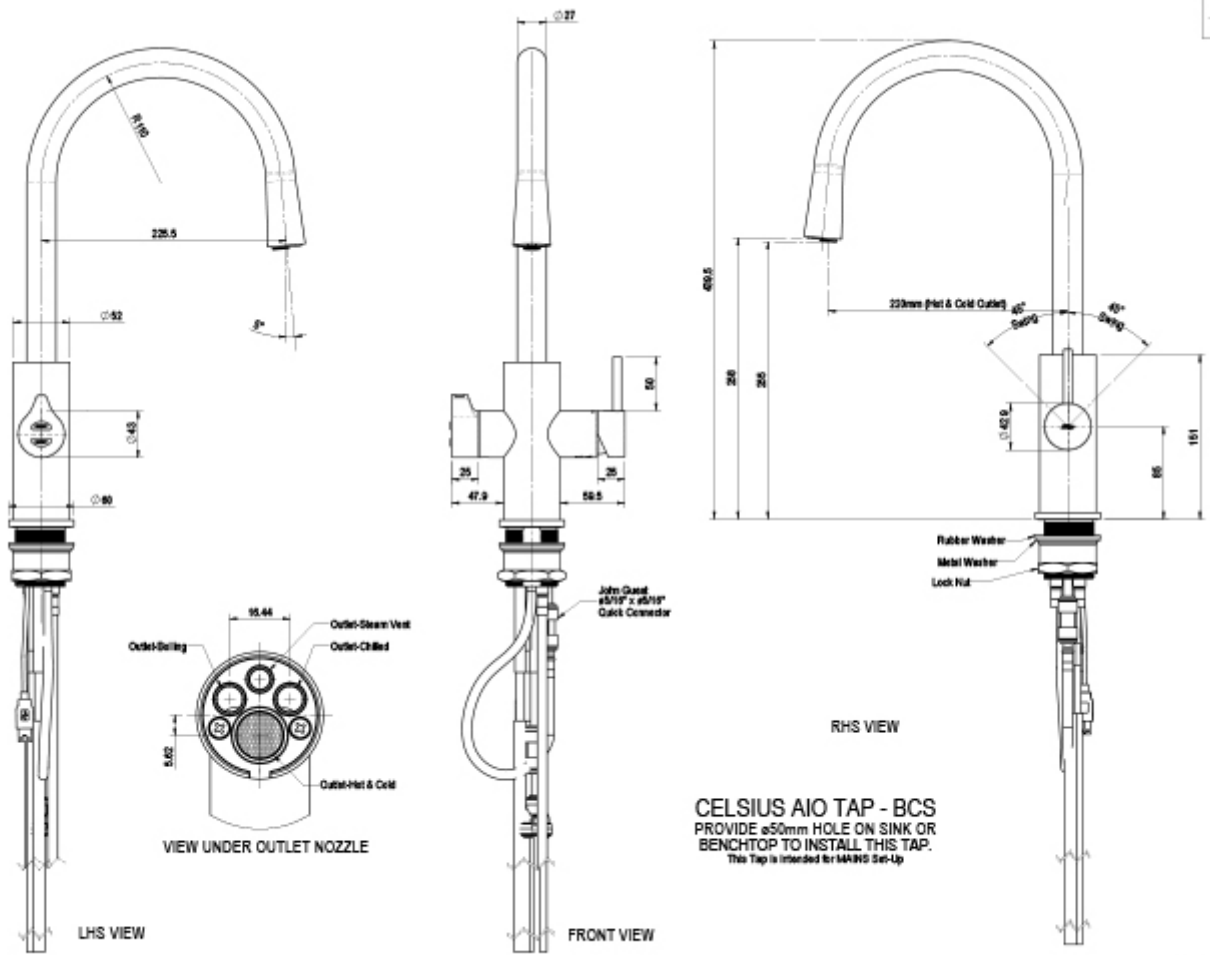
1. Installation and connection of your Zip HydroTap must be carried out by a qualified person, observing national and local regulations. 2. You will require suitable mains electrical and drinking water connections, plus waste water drainage all within 1.5 metres of the product. 3. HydroTap is air-cooled so discrete cabinetry cut-outs are required for ventilation. 4. Installation on most bench tops is straightforward however some stone bench tops may require a specialised cutting service. 5. If you live in a hard water area, we recommend installation of a Zip scale filtration kit. 6. Installation by Zip Professional Service can be arranged with a phone call or through [www.zipwater.com](http://www.zipwater.com)

## Installation Detail

EKL2 HydroTap G5 v1.00 02.21 BCS60 BCS100



Tap Detail



805105

