

Zip[®] Soap Dispenser

Automatic Soap Dispenser



29023 Zip Liquid Soap Dispenser ABS

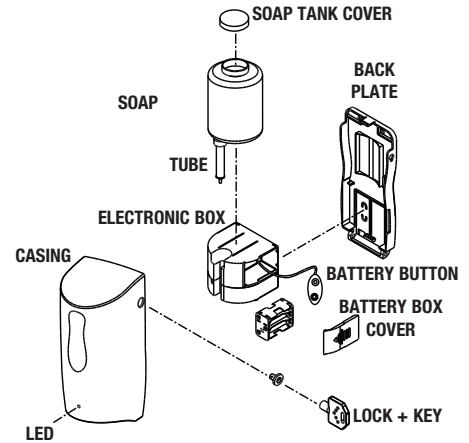


1. SPECIFICATIONS :

Dimensions W x H x D	120 x 265 x 113 mm (4.7" x 10.4" x 4.4")
Soap Tank Capacity	800ml
Battery	6pcs of alkaline AA (1.5V) or 1pc of Alkaline (9V) battery. (Not Included)
Detection Range	Automatic Adjustment.
Room Temperature	5°C~40°C
Sensing Delay Time	0.5 ~ 1 sec
Dispensed Soap Quantity	about 1.0~1.5 ml
Applicable Liquid Soap Viscosity	50 - 3500 mPa*s (cP)

2. PACKING LIST :

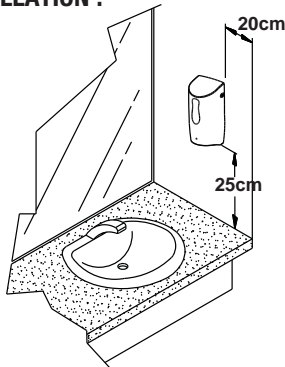
	Illustration	Description	Qty
1		Soap Dispenser	1 Set
2		Installation Instruction	1 Pc
3		Installation Template	1 Pc
4		Key	1 Pc
5		Plastic Dowel	2 Pcs
6		Fixing Screw	2 Pcs



SPARE PARTS KIT LIST :

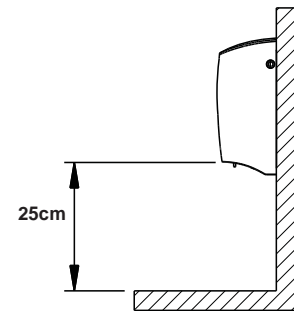
ITEM	DESCRIPTION	KIT NO.
1	ELECTRONIC BOX W/ BATTERY COVER KIT	99151
2	BATTERY BOX KIT	99152
3	SOAP TANK + TUBE KIT	99153
4	TUBE (FOR SOAP TANK) KIT	99154
5	KEY KIT	99155
6	LOCK KIT	99156

3. STANDARD INSTALLATION :

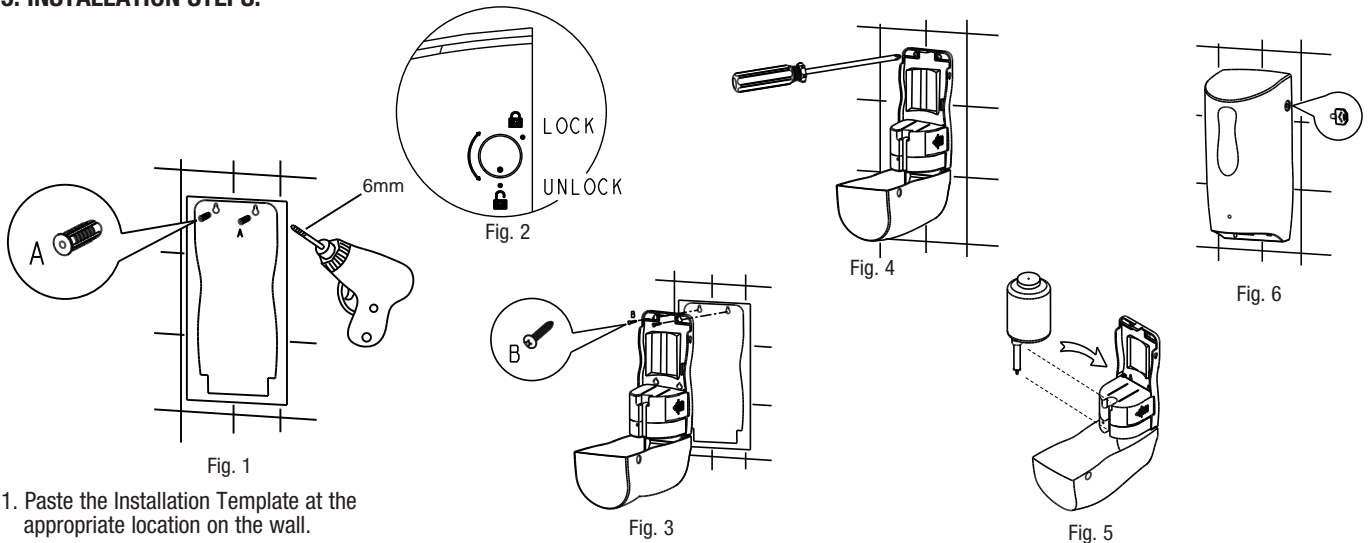


4. BEFORE INSTALLATION :

1. Check if surface of wall is smooth and clean.
2. Note the distance between two dispensers or from wall must be ≥ 20 cm.
3. Distance between sensor and bench-top should be ≥ 25 cm.
4. If distance is < 25 cm, check suitability and sensor adjustment as per Fig. 10.



5. INSTALLATION STEPS:



1. Paste the Installation Template at the appropriate location on the wall.
2. Drill two $\phi 6$ mm holes and insert plastic dowels. (Fig. 1)
3. Insert two screws into dowels and tighten. Leave about 3mm gap between the screw and the wall to hang the soap dispenser. (Fig. 2)

4. Remove the soap dispenser casing using the key to unlock. (Fig. 3)
5. Remove soap tank.
6. Hang soap dispenser on the screws.

7. Tighten the screws. (Fig. 4)
8. Put the soap tank back into the housing and close casing. (Fig. 5)
9. Use key to lock casing. (Fig. 6)

6. OPERATION INSTRUCTIONS :

A. Service Instructions

1. Open the casing using the key provided.
2. Remove cover from battery box, put 6 pieces of Alkaline AA 1.5V batteries into the battery box, put box back into original casing and close with cover.
3. Remove soap container, open it and pour liquid soap into the container. Close properly. Should any soap spill over the outside of the container, it must be cleaned thoroughly. Replace soap container in its original position. Close the casing and lock it.
4. Wait 5 seconds, then place your hands under the dispenser. The LED will turn on and the dispenser will release a portion of liquid soap.
5. When using for the first time, repeat that process a few times to order to fill the system.
6. A flashing LED will indicate low battery. Replace batteries with new ones. If problem persists, contact your dealer.

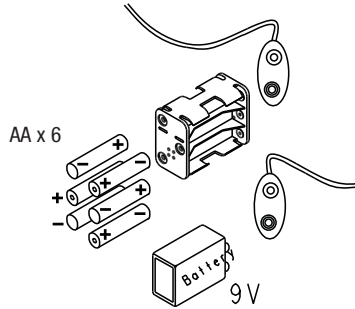


Fig. 7

B. Users Instructions

1. Put palm of your hand under the dispenser. The sensor will activate and the motor will release 1~2ml of liquid soap. If you need more soap, repeat the movement a few times, waiting at least 1 second before you replace your hand under the unit. Do not scoop soap from the nozzle as this may lead to damage. (Fig. 8)
2. For refilling liquid soap into the container, always remove the container completely from the housing and then fill it. **NEVER** never fill when the soap tank is still in the dispenser housing. (Fig. 9)

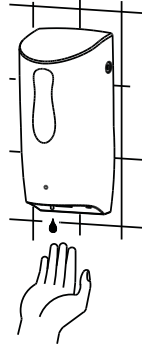


Fig. 8

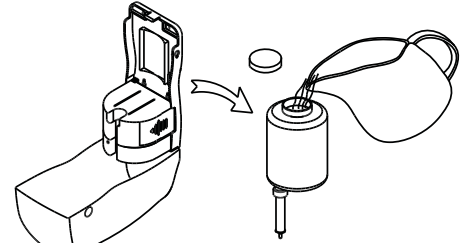


Fig. 9

7. INSTALLATION CHECK :

1. Check if soap dispenser is firmly fixed to the wall.
2. Check if soap container is closed properly and no soap is leaking.
3. Use 6 pieces of new Alkaline AA (1.5V) batteries (or alternately, use 1 piece of 9V Alkaline battery). Ensure that the batteries are installed properly and in the right direction (observe +/- indication).
4. Once batteries are installed and casing is closed, a red light will flash 4 times to indicate normal function. If casing is re-closed within 40seconds, LED will not flash.
5. Make sure soap dispenser is locked properly using the key provided.



8. ADJUSTMENT OF SENSOR :

1. The sensing distance is factory set.
2. If adjustment is necessary, proceed as follows:
 - Use a small flat-head screwdriver. Insert into small hole at the bottom of the dispenser as shown in Fig. 10.
 - Turn clockwise to increase the sensing distance and counter-clockwise to reduce it.
 - Do not apply excessive force.

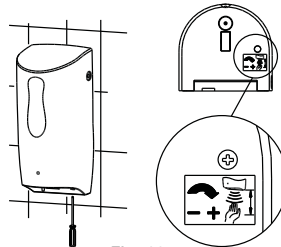


Fig. 10

9. IMPORTANT NOTICE :

1. Ensure no light source is aimed at the sensor from below.
2. Ensure that no light reflection occurs through any object within a distance of 45cm below the sensor.
3. Use a pure liquid soap only and clean the soap container properly before each re-fill. Deposits of old soap will lead to malfunction and jamming.
4. Do not dilute liquid soap and do not use grain containing soap. Observe specified viscosity factor of liquid soap.
5. Do not immerse the soap dispenser in water or clean it under running water. This will lead to short circuit.
6. Should the dispenser be out of order and batteries have been replaced, do not attempt any repair work. Call your dealer for professional assistance.

10. TROUBLE SHOOTING (FOR QUALIFIED ELECTRICIAN USE ONLY) :

Problem	Solution
LED does not indicate	<ul style="list-style-type: none"> - Check batteries and ensure that they are new and properly inserted. - Check sensor cover for stain. Clean unit properly. - Check sensor distance. If adjustment is necessary, refer to Section 8.
LED flashes when unit is not used	<ul style="list-style-type: none"> - Low voltage: Change batteries (Fig. 7) - Sensor is activated constantly. Remove the object below the sensor. - If above does not help, return the unit to your dealer for professional assistance.
No soap discharges when motor works	<ul style="list-style-type: none"> - Obstructed soap dispenser nozzle. Clean soap container or change it. - Check if soap is not liquid enough (viscosity as per specification).
Insufficient soap is released	<ul style="list-style-type: none"> - Soap has hardened: use unit fro several times or remove soap container and wash it thoroughly. - Soap nozzle is obstructed:wash soap container and use unit continuously until normal quantity is dispensed. - Check sensor distance. If adjustment is necessary, refer to Section 8.

For all other enquiries call you local deal for technical assistance.

Contact Details

Head Office

Zip Heaters (Aust) Pty. Ltd.
ABN 46 000 578 727
67 Allingham Street
Condell Park NSW 2200
Postal: Locked Bag 80
Bankstown 1885 Australia

Website: www.zipheaters.com
Facsimile (02) 9796 3858
Telephone (02) 9796 3100
Free Call 1 800 638 633

In order to help preserve our environment we ask that you dispose of this product correctly. Please contact your local city council for collection centre details

As Zip policy is one of continuous product improvement, changes to specifications may be made without prior notice. Images in this booklet have been modified and may not be true representations of the finished goods.

The term "Zip" is a registered trade mark of Zip Heaters (Aust) Pty Ltd.

