

ZIP Sensor Tap - AC

Touch-free automatic tap



42220 Sensor Tap AC Model

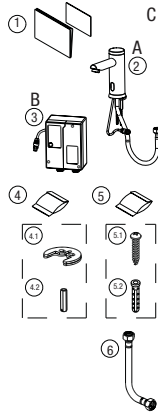


1. SPECIFICATIONS :

Control Box Dimension (WxHxD)	10.2 X 13.6 x 6.3 cm
Faucet Dimension (WxHxD)	5.4 x 15.1 x 14.1 cm
Power	AC 230 - 240V
Detection Range Adjust (200mm)	Dynamically or Fixed by DIP switch
Water Pressure	0.5~7 bar (kg/cm ²) (7~100psi)
Pedestal	Single Hole ø3.6 cm (Max.)
Pipe Size	BSP 1/2"
Time Delay	0.5 ~ 1 sec
Water Temperature	5 ~ 55°C

2. ITEM LIST :

ITEM	DESCRIPTION	QTY
1	1 x Installation Instruction, 1 x Installation Template	1pc
2	Spout (Faucet)	1set
3	Control Box	1set
4 INSTALLATION KIT (1)	4.1 Fixation Washer	1pc
	4.2 Fixation Nut	2pcs
5 INSTALLATION KIT (2)	5.1 T4 x 16 Screw	2pcs
	5.2 Plastic Dowel	2pcs
6	Flexible Hose (Water Connector) 1/2" x 1/2"	1pc



SPARE PARTS KIT LIST :

ITEM	DESCRIPTION	KIT NO.
A	SPOUT (FAUCET) KIT	99145
B	AC CONTROL BOX KIT	99149
C	O-RING SEAL KIT	99147
D	SENSOR ASSEMBLY KIT	99150

3. OVERVIEW :

ITEM	DESCRIPTION
A	Control Box Cover (Left)
B	Control Box Cover (Right)
C	Rubber Plug
D	Solenoid Valve
E	Valve Body
F	Filter
G	Filter Plug
H	Transformer
I	Power Cord
J	Housing
K	Sensor
L	PCB Box
M, N	Sensor Connector
O, P	Transformer Connector
Q, R	Solenoid Valve Connector
S	Faucet Body
T	Aerator
U	Fixation Screw
V	Fixation Washer
W	Fixation Nut
X	Flexible Hose to Spout
Y	Flexible Hose (Water Connector)

4. INSTALLATION:

4.1 Precaution

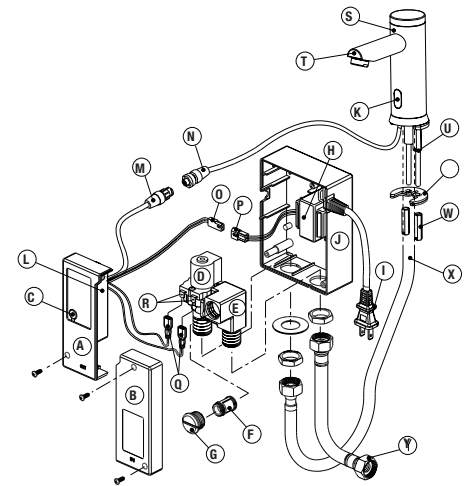
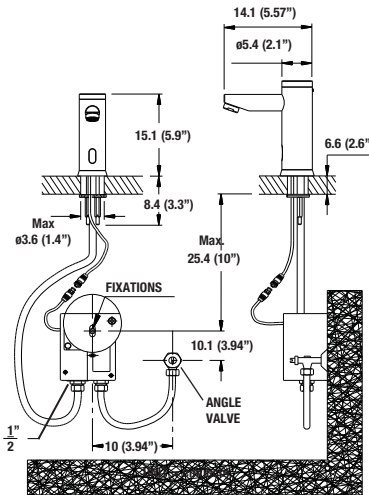
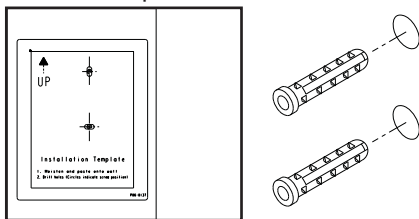
Prior to connecting the water supply, make sure to flush the supply pipe thoroughly.

Dirt and big particles from the water supply might lead to clogged filters and result in malfunction

4.2 Drilling Holes Into Wall

a. Paste Installation Template onto wall, then drill 2-ø6mm holes.

b. Insert the plastic dowels into the holes.



4.3 Remove Right Control Box Cover (Fig. 4.3)

- Remove the two screws and take off the Right Cover.

4.4 Fix Control Box (Fig. 4.4.1)

- Position control box over dowel, fix it with screws provided.

Important Note: Control box must be installed according to Fig. 4.4.2 as wrong installation may lead to malfunction.

- "This is anelectronic control of Type 1.C."
- "Suitable for pollution degree 2."

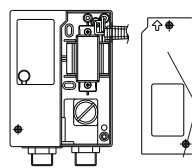


Fig. 4.3

4.5 Close Right Control Box Cover (Fig. 4.5)

4.6 Install Faucet (Fig. 4.6)

- Insert faucet shaft and sensor cable into basin opening.
- Put fixation washer over faucet shaft and cable.
- Fix faucet firmly with fixation nut.

4.7 Connect Water and Sensor (Fig 4.7)

4.8 Plug the power cord into indoor AC source (Fig. 4.8)

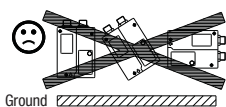
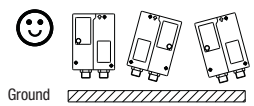
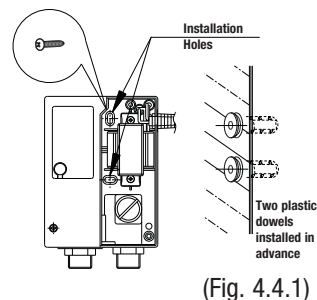
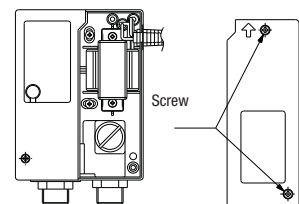


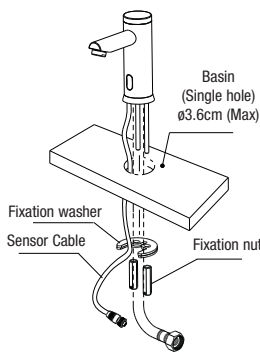
Fig. 4.4.2



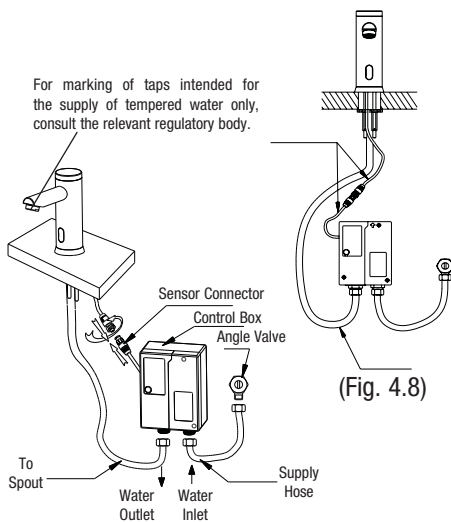
(Fig. 4.4.1)



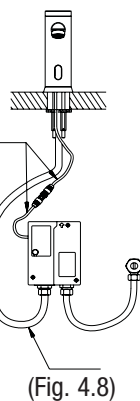
(Fig. 4.5)



(Fig. 4.6)



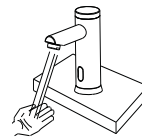
(Fig. 4.7)



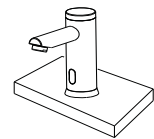
(Fig. 4.8)

Recommendation: If intended to be installed with tempered water, the sensor tap must be installed with a Zip Thermostatic Mixing Valve or similar product and in accordance with local authority guidelines.

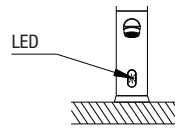
5. OPERATION:



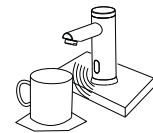
(1) Place hand under faucet, water will flow automatically. Sensing range will be adjusted automatically in 3 seconds after power up.



(2) Remove hand, water will stop automatically within 0.5~1 sec.



(3) The LED will be on for 1 second after detection. Detection and still working, but LED flashes which signals "low voltage"



(4) With the security setting to be off after 45 seconds and detection range set dynamically, the water will stop flowing after 1 minute. (Refer to 6.1)

6. ADJUSTMENTS AND MAINTENANCE:

6.1 Sensing range adjustment (Fig. 6.1)

Remove rubber plug and set switch to :

Position a. Security off after 45 seconds or.

Position b. Security off after 3 seconds.

Position c. Variable Detection Range Adjustment mode.

Position d. Detection Range – Factory or Adjusted setting.

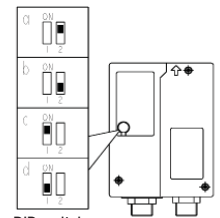
(Note: Factory default setting fixed at 150mm +/-50mm)

- To adjust the sensing distance to your personal preference, select dip switch option "Position c".
- Disconnect the power (AC or DC)
- Hold a reflective surface (e.g. white carton) at the distance required from the sensor (Note that a highly reflective surface, such as a white carton, will have approx. 100mm longer sensing distance than a typical hand, when judging your preferred sensing range)
- Reconnect the power and maintain the reflective surface at the required distance.
- Observe the flashing light in the sensor which should stop after 4 flashes or approximately 5 seconds. If the light continues to flash, the reflective surface has been positioned too close to the sensor and the new setting will not be registered. Reposition the reflective surface 100mm farther away from the sensor and repeat the above steps.
- When the light has stopped flashing (or the 5 seconds has elapsed), remove the reflective surface and set the dip switch to "Position d", within 60 seconds. NOTE: If the dip switch is not switched to "Position d" within the 60 seconds, the sensing range will automatically adjust back to the factory default setting.
- Once the new setting has registered with the controller, this will be the default setting for selected "Position d".
- NOTE: In "Position d" the sensing range will be reset to the factory default if the power is disconnected for more than one minute, after which your preferred setting would need to be re-establish following the above instructions.
- Replace the rubber plug and secure the assembly.

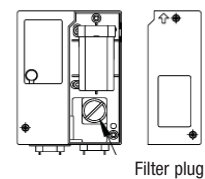
6.2 Cleaning the Filter (Fig. 6.2)

Filter should be checked regularly.

- Remove right control box cover.
- Shut-off water supply at angle valve.
- Remove filter plug and filter, then wash thoroughly and re-assemble.



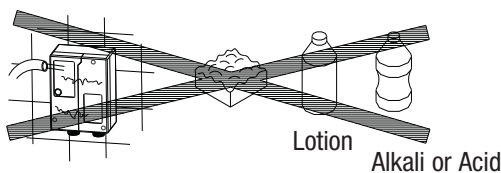
(Fig. 6.1)



(Fig. 6.2)

7. CLEANING INSTRUCTIONS:

- Use soft, dry or damp cloth only to clean the control box, sensor window and faucet. Do not use any abrasive material, chemicals and excessive water to clean the unit, as this may damage the plated finish and the sensor.



8. PRECAUTIONS:

- Keep control box safe from impact as this may lead to damage.
- Ensure that the sensor is not damaged or scratched through impact.
- The sensor and control box should be kept dry.
- Ensure that the sensor is not blocked or disturbed by any object within its detection range and that no strong light source is aimed directly at it.
- Never use chemicals to clean the unit. Use only soap and soft cloth.
- This appliance is not intended for use by persons (Including Children) with reduced physical, sensory or mental capabilities, or lack of experience and knowledge, unless they have been given supervision or instruction concerning use of the appliance by a person responsible for their safety. Children should be supervised to ensure they do not play with the appliance

9. TROUBLE SHOOTING (FOR QUALIFIED ELECTRICIAN USE ONLY) :

(1) The LED is not on, no water flows.

Problem	Solution
a. Detection range too is short	Refer to 6.1 for adjustment instructions
b. Power supply is not properly connected	Re-connect
c. No power supply	Turn on the indoor power
d. Transformer connector is loose	Connect it properly
e. Circuit board faulty	Do not attempt to repair, contact your dealer
f. If the supply cord is damaged	It must be replaced by the manufacturer, the manufacturer's agent or a similarly qualified person in order to avoid a hazard.

(2) The LED is on, no water flows.

Problem	Solution
a. Filter is clogged	Clean as per 6.2
b. Solenoid connector is loose	Connect it properly
c. Solenoid valve is faulty	Do not attempt repair, contact your dealer.

In order to help preserve our environment we ask that you dispose of this product correctly. Please contact your local city council for collection centre details.

Head Office

Zip Heaters (Aust) Pty. Ltd.
ABN 46 000 578 727
67 Allingham Street
Condell Park NSW 2200
Postal: Locked Bag 80
Bankstown 1885 Australia

Website: www.zipheaters.com
Facsimile (02) 9796 3858
Telephone (02) 9796 3100
Free Call 1 800 638 633

As Zip policy is one of continuous product improvement, changes to specifications may be made without prior notice. Images in this booklet have been modified and may not be true representations of the finished goods.

