



## **QuickDry Installation Instructions**



Congratulations on choosing a Zip  
Hand Dryer for your  
Washroom requirements

For best results simply follow these easy  
instructions.

## Operating Instruction and Parts Manual

*Please read and save these instructions. Please read carefully before attempting to assemble, install, operate or maintain the product described. Protect yourself and others by observing all safety information. Failure to comply with instructions could result in personal injury and/or property damage. Retain instructions for future reference.*

### Zip QuickDry High Efficiency Hand Dryer

#### **Description**

Zip warm air hand dryer, powered by universal brush motor, delivers 1100 Watts of drying power. This hand dryer runs on 230 Volts AC electrical supply. An infrared sensor is used to automatically turn the dryer on and off. This model is intended for use in commercial, industrial office and public facility environments.

#### **General Specifications**

Motor - Universal brushed 34,000rpm

Rating - 1.1kw @ 230/240V AC IP24

Airspeed - 330km/h, delivered through 11 nozzles

Start/Stop - Infrared sensor

Cover - Diecast aluminium with Steri-Touch finish

Dimensions - W266 x H271 x D165mm

Weight - 3.1kg

Standards - AS/NZ 3350.2.23.1997

Colour Options - White

#### **Unpacking**

1. Remove all packing material. Recycling is recommended.
2. Carefully remove the hand dryer from the shipping carton taking care not to drop the appliance.
3. Inspect carefully for damage that may have occurred during transit. Check for any loose, missing or damaged parts. If the hand dryer is damaged, promptly inform the dealer where you purchased it.

## **CLEANING INSTRUCTIONS**

Read complete instruction before proceeding. Under normal use, cleaning the dryer once a year will keep it in good operating condition. If the washroom traffic is heavier than normal the cleaning should be done every 6 months. Lint and dust build up inside the dryer can result in damage to motor.

1. Turn off dryer at circuit breaker or fuse panel.
2. Turn the cover mounting screws clockwise from the dryer using the security hex key provided. Support cover while removing screws.
3. Vacuum out dirt from blower and housing. Use caution not to damage wires or circuit boards.
4. The motor inlet cover may be removed by unscrewing the (4) screws. This allows access to the motor for cleaning or replacement.
5. Use a soft– medium bristle 10mm paint brush to clean dust and dirt from motor.
6. Replace cover. Place cover squarely over base and push flush to wall. Screw cover mounting screws counter-clockwise and tighten until snug. Do not over tighten.

## **General Safety Information**

**DANGER** *Failure to disconnect the power source before installation can result in serious injury or death from electric shock.*

-Always disconnect the power source before servicing or installing the hand dryer.

**DANGER** *Failure to properly ground this unit could result in severe electrical shock and/or death*

-This hand dryer must be properly grounded (Earthed) for safe operation. An identified ground connection point is supplied on the chassis of the hand dryer.

-We recommend GFCI protection in wet or damp locations or as required by local code.

**WARNING** *Risk of fire. Personal injury or property damage are possible if local codes, or safety recommendations are not followed.*

-Use only the electrical power (voltage and frequency) specified for the model hand dryer being installed.

-Connect the hand dryer to the nearest suitable distribution panel.

-Do not connect to a branch circuit with circuit breaker or fuse protection over 10 amps.

-All automatic model hand dryers must have dedicated circuit.

-Route all field wiring away from moving parts within the hand dryer.

**CAUTION** *Improper mounting could result in personal injury or property damage*

-Follow the mounting recommendations in Table 1.

-On a stud wall, one side of the hand dryer should be mounted to an existing stud.



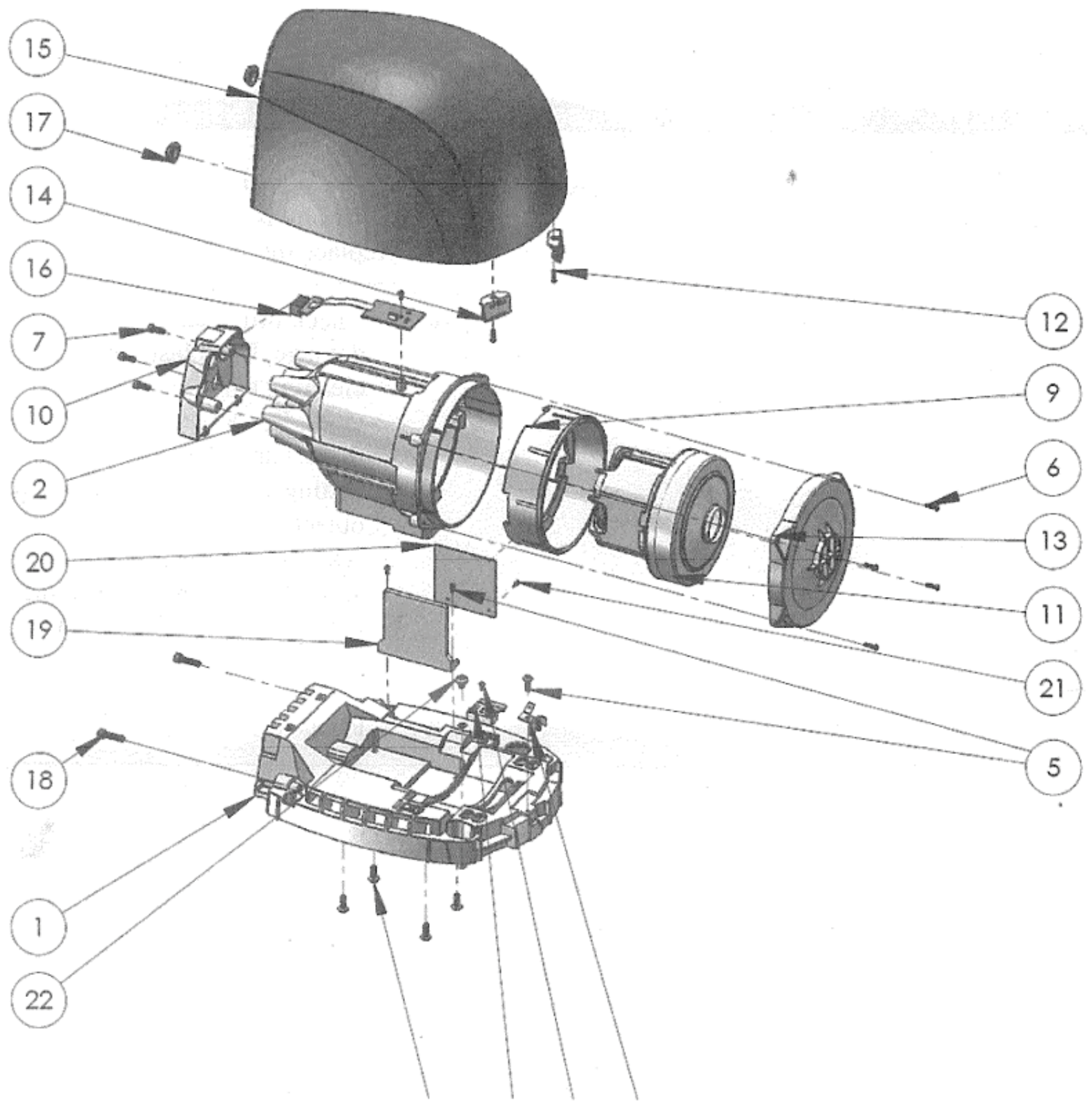
## Installation Instructions

1. Disconnect the power source
2. Use the security hex key supplied and turn the cover mounting screws clockwise to remove the cover from the dryer.
3. Place the hand dryer base on the wall at the desired location using Table 1 to determine the recommended mounting height. With the base so located, use it as a template to mark locations of the four mounting bolt holes on the wall.  
**Ensure that no reflective object (such as hand basin) is located directly under infra-red sensor eye; the minimum distance is 460mm.**
4. Fasten the base to the wall, using suitable fixings for the type of wall.
5. All automatic dryers must have their own dedicated 10 amp circuit.
6. Connect the dryer to the nearest suitable distribution panel.
7. Replace cover, turn screws counter-clockwise making certain not to over tighten.

**IMPORTANT: Consult local and general regulations before performing dryer installation.**

**Table 1**  
**Recommended Mounting Heights from Floor to Dryer Bottom Edge**

Men's washroom		1100mm
Ladies' washroom		1050mm
Children's washroom	13-17yrs	1000mm
Children's washroom	10-13yrs	950mm
Children's washroom	7-10yrs	900mm
Children's washroom	4-7yrs	800mm
Disabled Person's		800mm



REF #	DESCRIPTION	PART #	QTY
1	Base	14-011577	1
2	Motor Housing	20-011573	1
3	Earth Clip	52-030544	1
4	Cable Clamp	12-011578	1
5	Screw-No6 x 1.2—Poz Pan	46-040121	4
6	Screw-No6 x 3/8—Poz Pan	46-040049	1
7	Screw-No6 x 3/8—Poz Pan	46-010008	4
8	Screw M5x16 Plas Tech 30 Flange HD	46-333	4
9	Seal	59-011574	1
10	Outlet lens	30-011576	1
11	Motor	32-463.402.4	1
12	Srew M4x10 Taptite Poz Pan	46-040194	2
13	Motor cover	20-011575	1
14	Cover bracket	33-011579	2
15	Cover	20-030243	1
16	Sensor PCB	49-200	1
17	Screw Cap	59-011587	2
18	M6x25 Sac HD Cap Screw	46-040221	2
19	Bracket, Power circuit	33200	1
20	Power Circuit	16-200	1
21	Screw - No 4/8 P/Plan Plasfix 60	46-040229	4
22	Screw M4x8 for the Ground	46-334	1

### Trouble shooting Chart

Symptom	Possible Cause(s)	Corrective Action
Dryer fails to start.	A. No power to Unit. B. Defective Motor.	Check power to unit and connections. Replace Motor.
Dryer will not shut off or run for 20 seconds, then will not re-start.	Sensor is dirty, defective or there is a reflection.	1. Check infra-red eye for dirt or damage. Use plastic lenses cleaning solution and a soft cloth. Dry lens with a soft cloth. 2. Make sure that the sensor is not getting a reflection from another object. 3. After electricity has been applied to the dryer it should turn on within a few seconds. Test by placing hands 7-15cm below the nozzle. 4. Replace circuit boards.

This page intentionally left blank

For all warranty enquiries on this product contact:



**Zip Heaters (Aust) Pty Ltd**  
**ABN46000578727**  
**67 Allingham Street, Condell Park**  
**NSW 2200 AUSTRALIA**

Phone 02 9796 3100  
Fax 02 9796 3858  
Free Call 1800 638 633