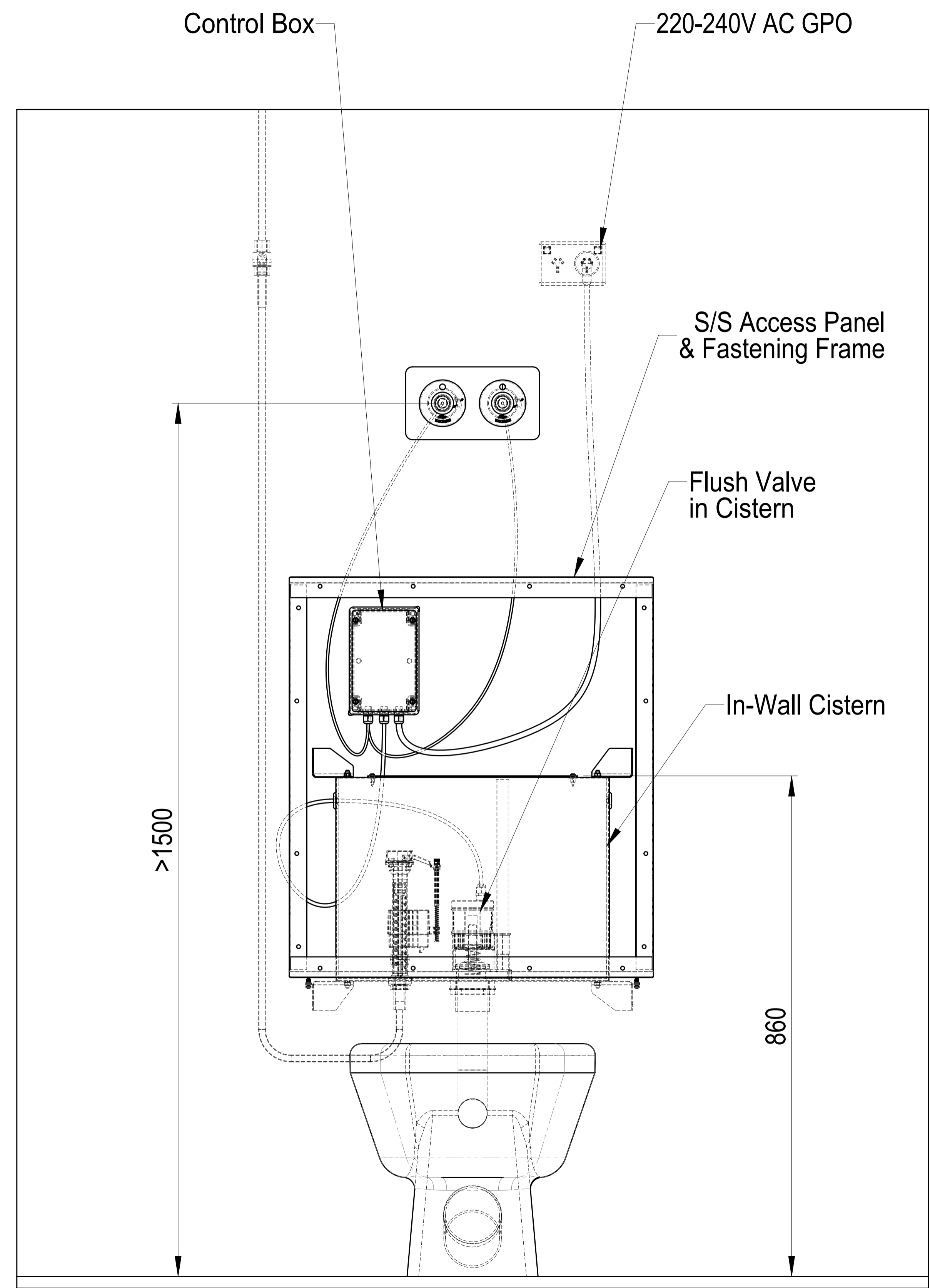
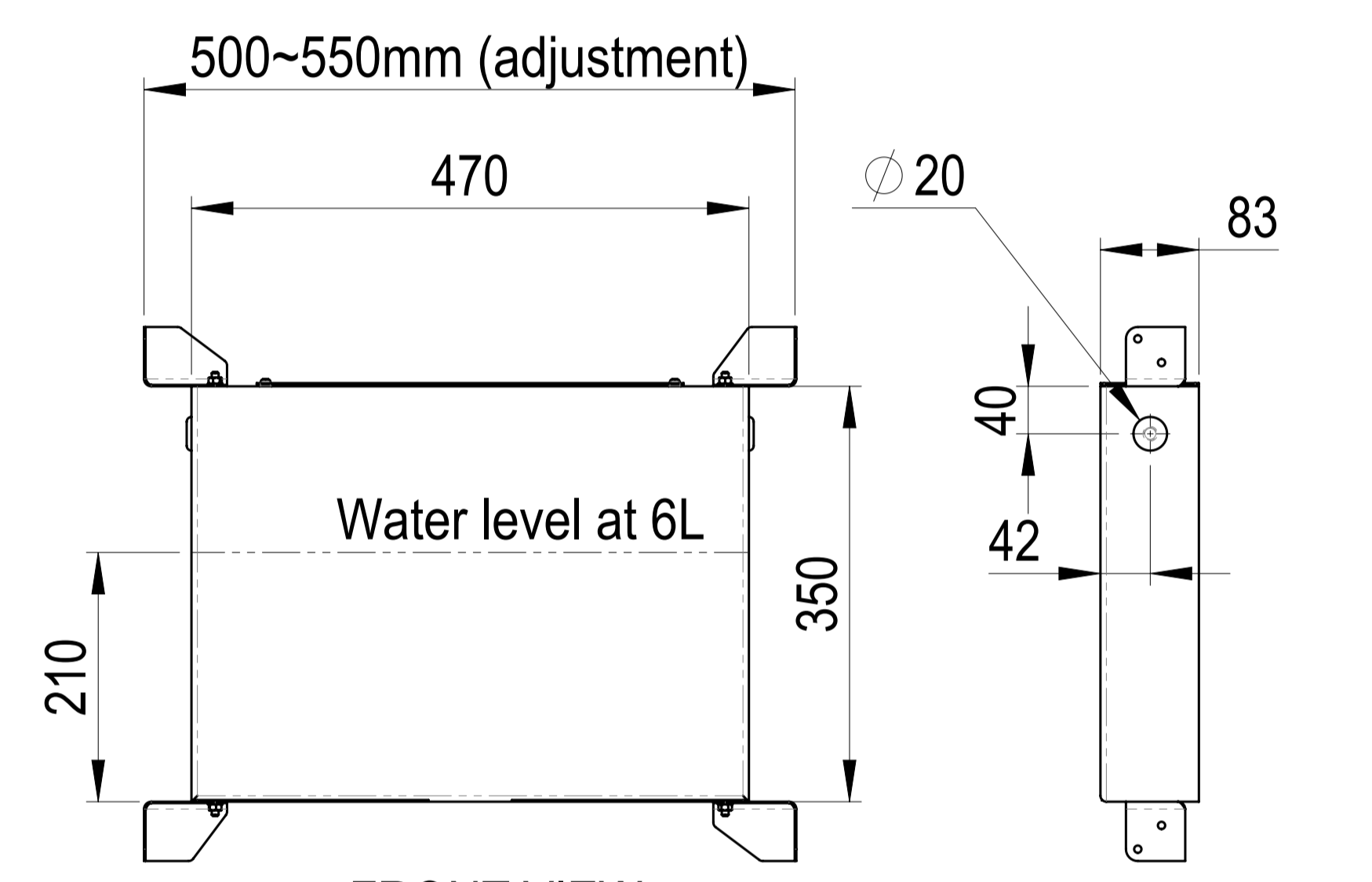
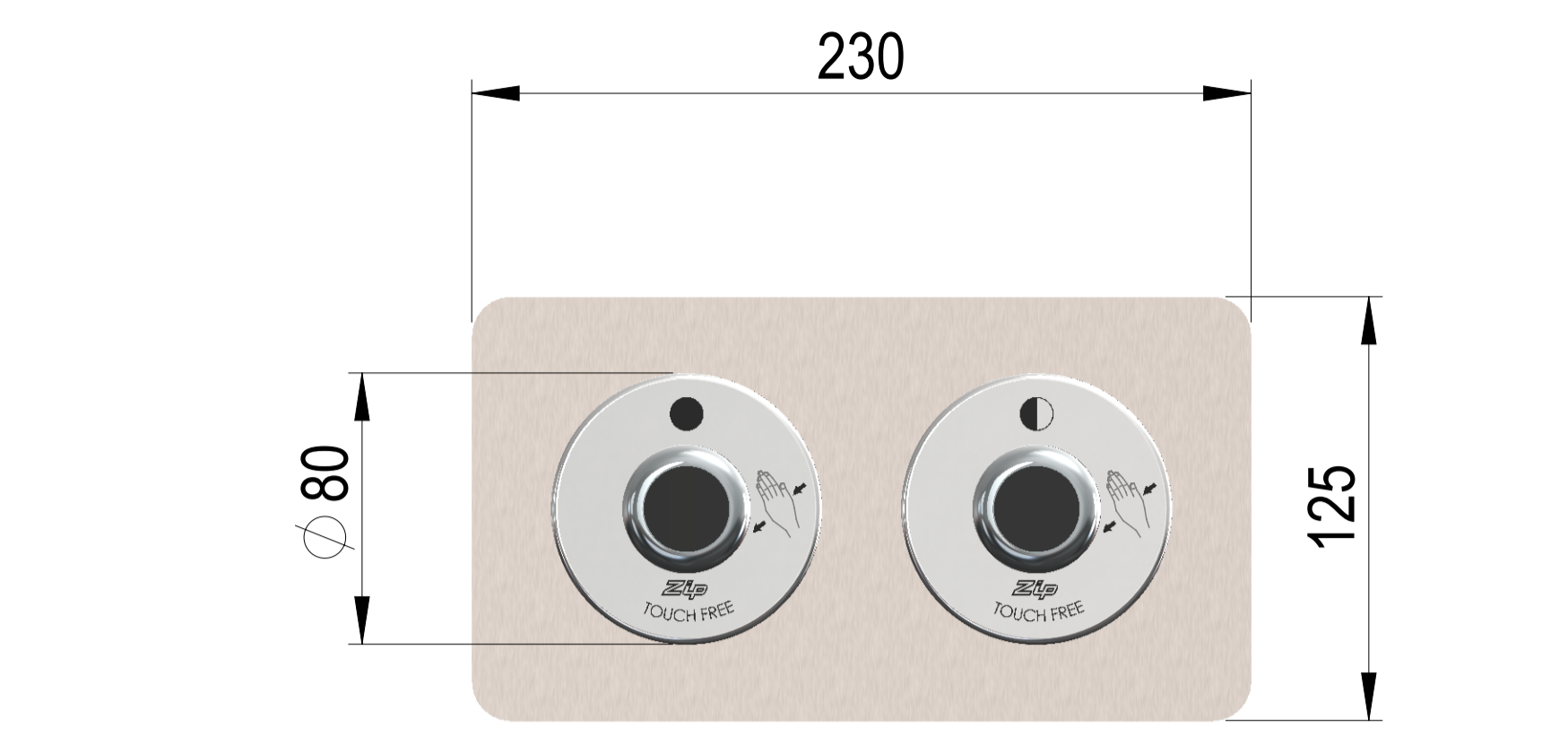


CROSS-SECTION VIEW

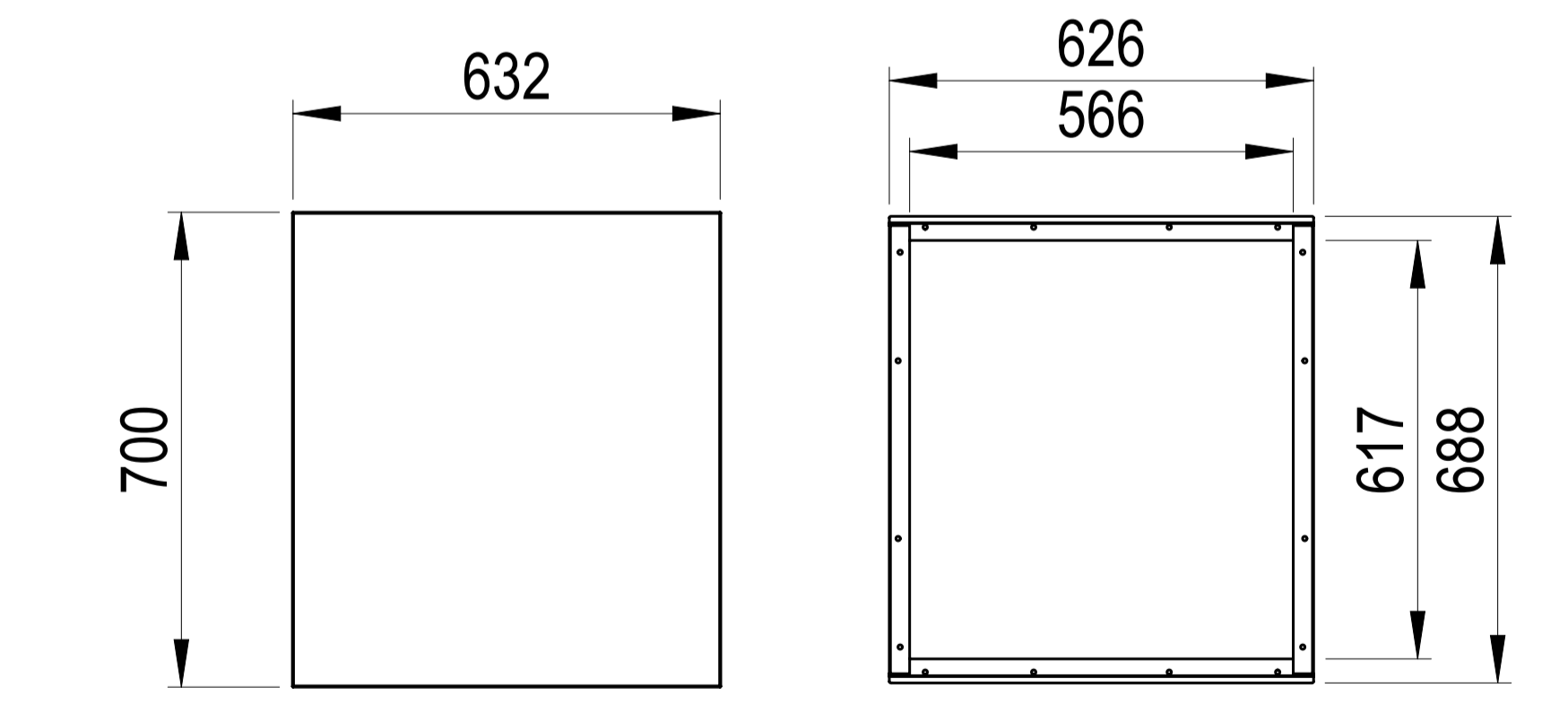


FRONT VIEW



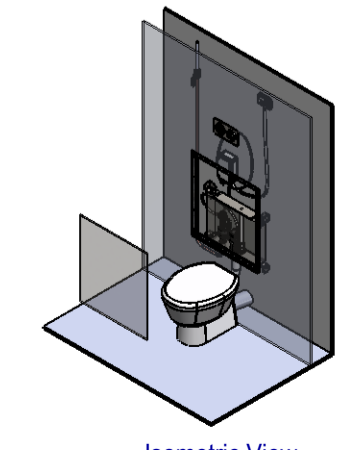
FRONT VIEW  
In-Wall Cistern

SIDE VIEW



S/S Access Panel

Fastening Frame



Isometric View  
Configuration: Default  
Scale: 1:50

<p>This drawing is CONFIDENTIAL, and is supplied on the express condition that it shall not be LOANED, COPIED or DISCLOSED to any other third party or used for any purpose without the written consent of Zip Industries Pty Ltd. This document is prepared in hardcopy form. It is for INFORMATION ONLY and therefore not subject to updating controls. For the current revision ALWAYS refer to the MATRICE electronic form as stated in the top left hand corner of this sheet. © copyright Zip Industries Pty Ltd. 18/05/2015</p>		<p><b>Zip Industries</b> </p>	
<p><b>Manufacturing Instructions</b></p>		<p><b>Description:</b> FlushMaster In-Wall Cistern including Flush Valve Kit</p>	
<p>Make of Buy: Buy</p>	<p>Approved by: Unapproved on 10/12/2001</p>	<p>Model: WL005_41097</p>	<p>Created by &amp; on: EdgexG on 15/05/2015</p>
<p>Manufacturing Route: See Components</p>	<p>Checked by: Unchecked on 10/12/2001</p>	<p>Project: FlushMaster</p>	<p>Configuration: Default</p>
<p>Raw material: See Components</p>	<p>Updated by: edgex on 18/05/2015 2:20:13 PM</p>	<p>Created by &amp; on: EdgexG on 15/05/2015</p>	<p>Rev: 00</p>
<p>Remove all sharp edges. This drawing ONLY details information which cannot be ascertained from the 3D geometry of the part(s) attached. Model &amp; dimensions are AFTER all finishing operations.</p>	<p>Material: See Components</p>	<p>Drawing: WL005_41097</p>	<p>Size: A1</p>
<p>Comments: See Components</p>	<p>Volume (mm<sup>3</sup>): 173362.3</p>	<p>Area (mm<sup>2</sup>): 198517.6</p>	<p>Derived from: New</p>
<p>Probable? NO</p>	<p>Recyclable? YES</p>	<p>Handled? NO</p>	<p>Mass (g): 183779.7</p>
<p>Density (g/mm<sup>3</sup>): 1.0</p>	<p>Scale: 1:1</p>	<p>Sheet: 1 of 1</p>	<p>Status: Design</p>
<p>Property:</p>	<p>Property:</p>	<p>Property:</p>	<p>Property:</p>