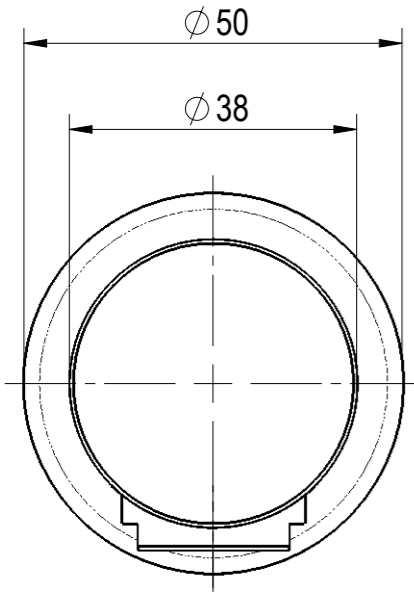
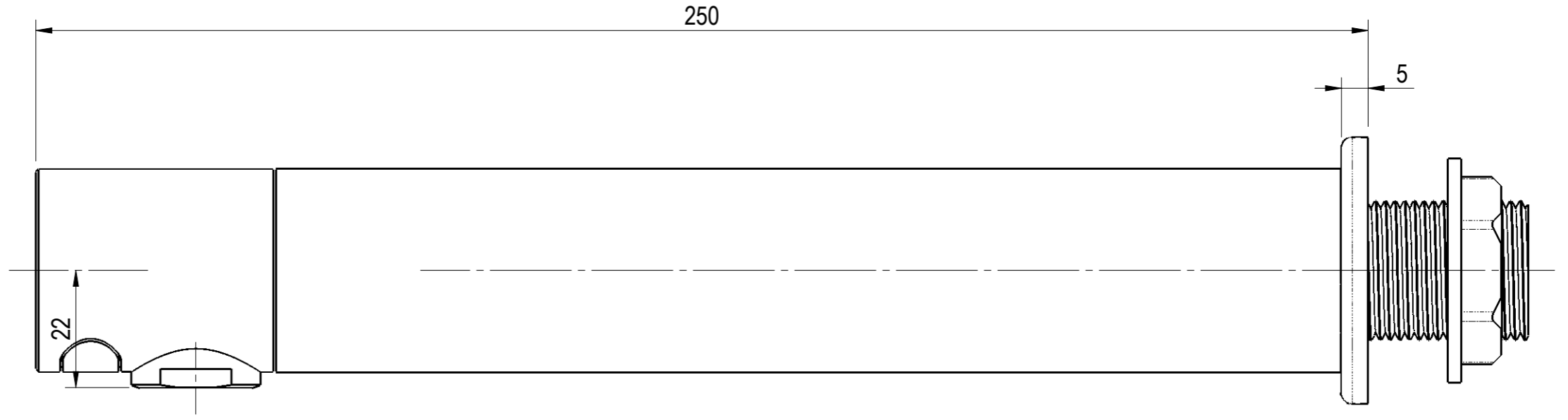


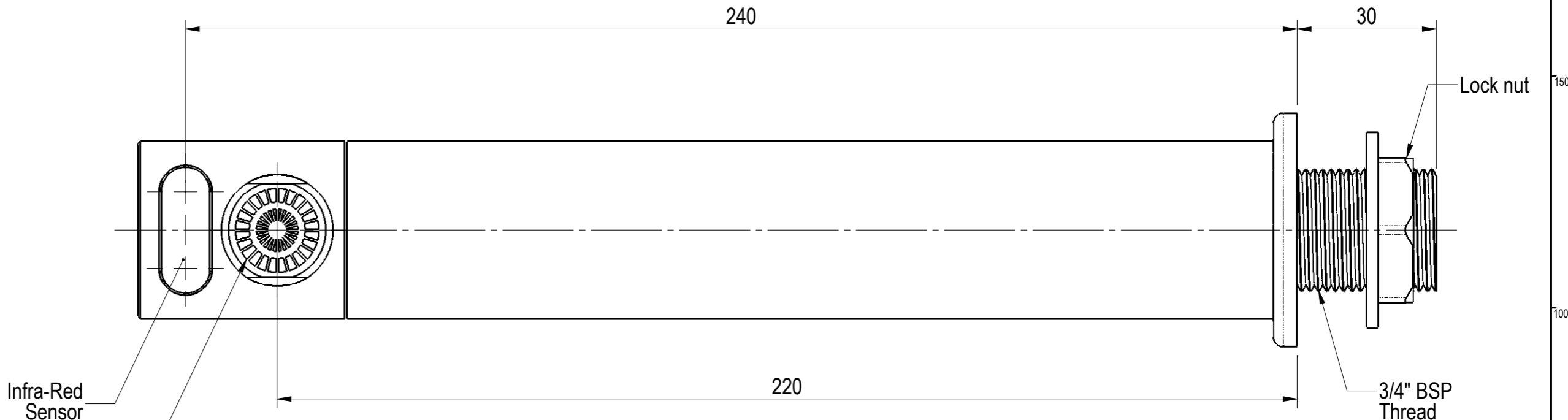
<p>THIRD ANGLE PROJECTION</p>	Dimensions in millimetres	Zip Industries Pty Ltd 67 Allingham Street Condell Park Sydney NSW 2200 Australia
	Drawing to BS8888:2004	Web : www.zipindustries.com Email : sales@zipindustries.com
	Screw threads to BS 8498:2008	



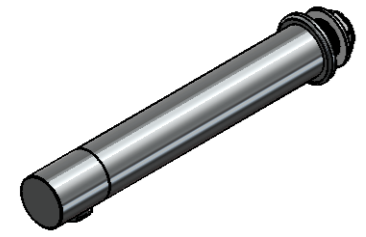
FRONT VIEW



SIDE ELEVATION VIEW



BOTTOM VIEW



Isometric View (1:1)
Configuration : 42235- 250mm Wall Mounted Battery

This drawing is CONFIDENTIAL and is supplied on the express condition that it shall not be LOANED, COPIED or DISCLOSED to any other third party or used for any purpose without the written consent of Zip Industries Pty Ltd. If this document is printed in hardcopy form, it is for INFORMATION ONLY and therefore not subject to updating controls. For the current revision ALWAYS refer to the NATIVE electronic form as stated in the top left-hand corner of this sheet. © copyright Zip Industries Pty Ltd, 14/03/2013



Manufacturing Instructions Make or Buy : Make Manufacturing Route : See Components Raw material : See Components Remove all sharp edges. This drawing ONLY details information which cannot be ascertained from the 3D geometry of the part(s) attached. Model & dimensions are AFTER all finishing operations Comments :		Approved by : Unapproved on 1/01/2001 Checked by : Unchecked on 1/01/2001 Updated by : edgarG on 28/04/2015 2:40:26 PM	Description : Zip AquaSense 250mm Wall Mount WM Battery Operated D606/250 Project : Washroom Product: Sensor Taps Model : 422221 Drawing : 42235 Derived from : New Scale : 1:1 Sheet : 1 of 1		Configuration : 42235- 250mm Wall Mounted Battery Created by & on : EdgarG on 14/03/2013 Created by & on : EdgarG on 14/03/2013 Rev : A Size : A3
Potable? : No Recyclable? : No Handed? : No	Volume (cm3) : 298.0 Mass (g) : 298.0	Area (cm2) : 479.0 Density (g/cm3) : 1.0	Colour : Colour Status : Production	Drawing Property	Part Property