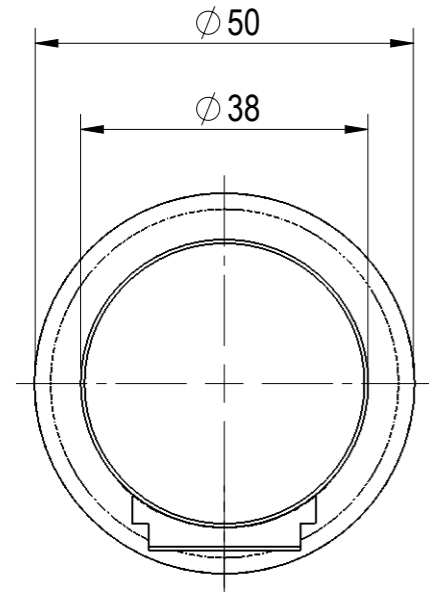
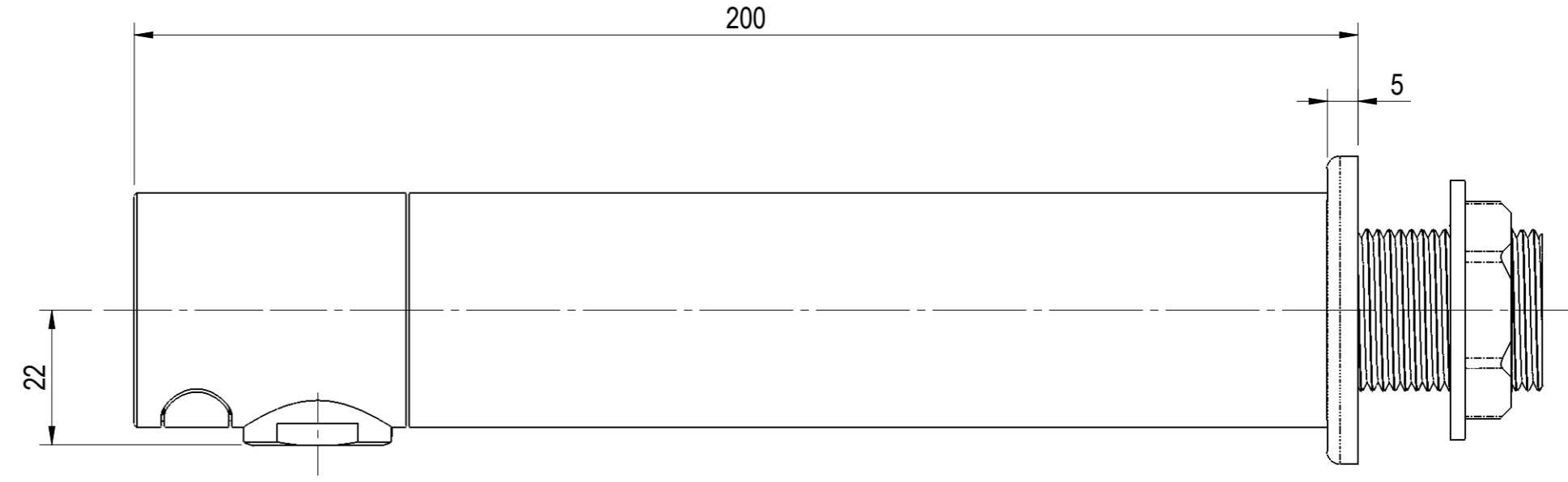


Dimensions in millimetres
 Drawing to BS8888:2004
 Screw threads to BS 8498:2008

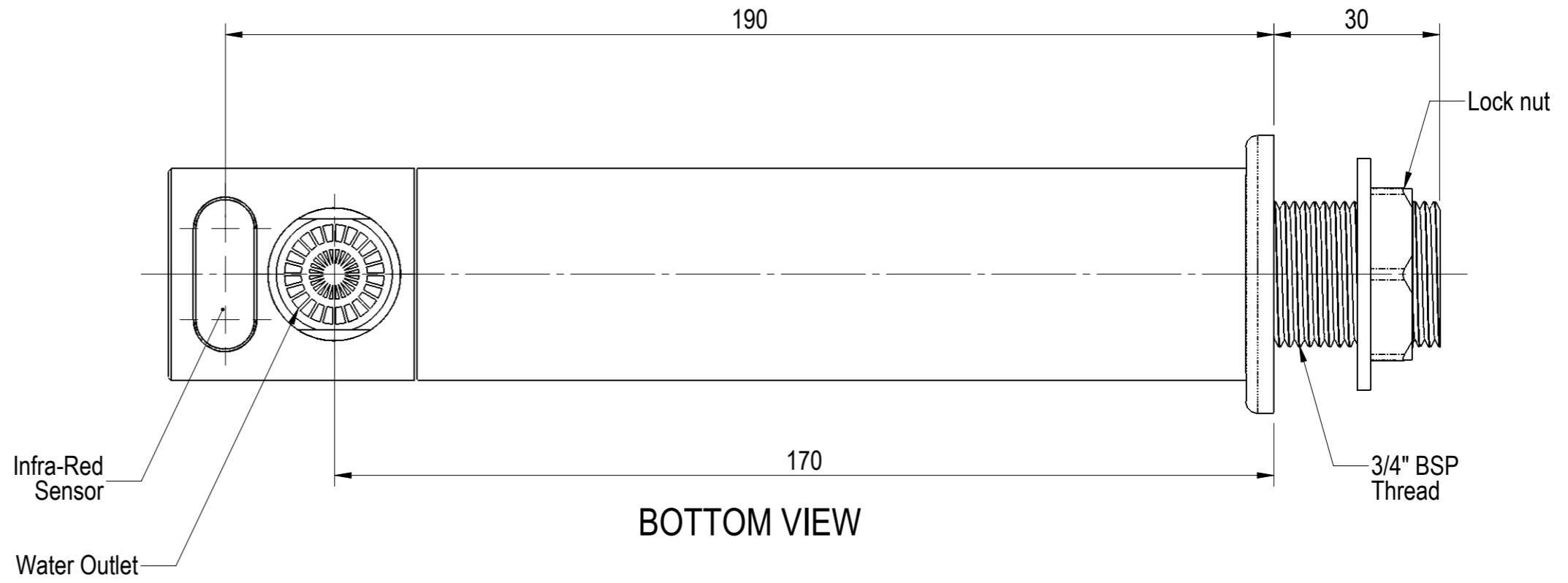
Zip Industries Pty Ltd
 67 Allingham Street
 Condell Park
 Sydney
 NSW 2200
 Australia
 Web : www.zipindustries.com
 Email : sales@zipindustries.com



FRONT VIEW



SIDE ELEVATION VIEW



BOTTOM VIEW



Isometric View (1:1)
 Configuration : 42222-200mm Wall Mount Single Battery

This drawing is CONFIDENTIAL and is supplied on the express condition that it shall not be LOANED, COPIED or DISCLOSED to any other third party or used for any purpose without the written consent of Zip Industries Pty Ltd. If this document is printed in hardcopy form, it is for INFORMATION ONLY and therefore not subject to updating controls. For the current revision ALWAYS refer to the NATIVE electronic form as stated in the top left-hand corner of this sheet. © copyright Zip Industries Pty Ltd, 14/03/2013



Manufacturing Instructions		Approved by : Unapproved on 1/01/2001	Description :	
Make or Buy : Make	Checked by : Unchecked on 1/01/2001	200mm Wall Mount Single Battery		
Manufacturing Route : See Components	Updated by : edgarG on 14/03/2013 4:12:37 PM	Project : Washroom Product: Sensor Taps	Configuration :	42222-200mm Wall Mount Single Battery
Raw material : See Components	Material : See Components	Model : 42222	Created by & on	EdgarG on 14/03/2013
Remove all sharp edges. This drawing ONLY details information which cannot be ascertained from the 3D geometry of the part(s) attached. Model & dimensions are AFTER all finishing operations	Finish : See Components	Drawing :		Created by & on
Comments :	Volume (cm3) : 241.3	Area (cm2) : 419.3	Derived from : New	EdgarG on 14/03/2013
Potable? : No	Recyclable? : No	Handed? : No	Mass (g) : 241.3	Density (g/cm3) : 1.0
Scale : 1:1		Sheet : 1 of 1	Colour : Colour	Rev : A
Status : Production		Size : A3		
Drawing Property		Part Property		