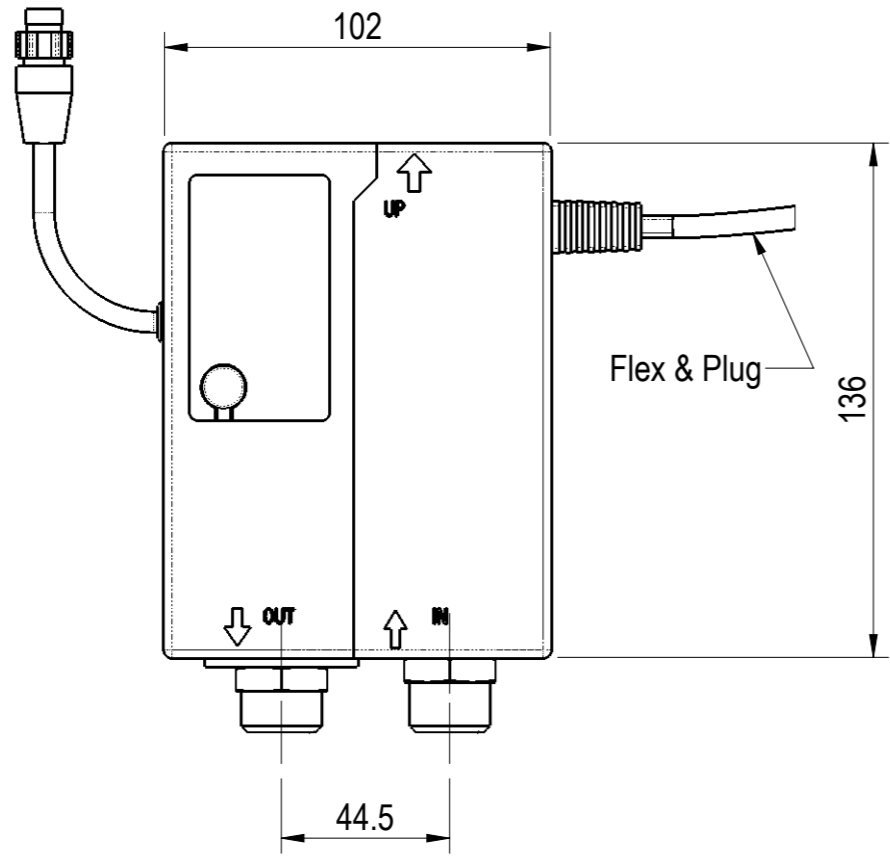
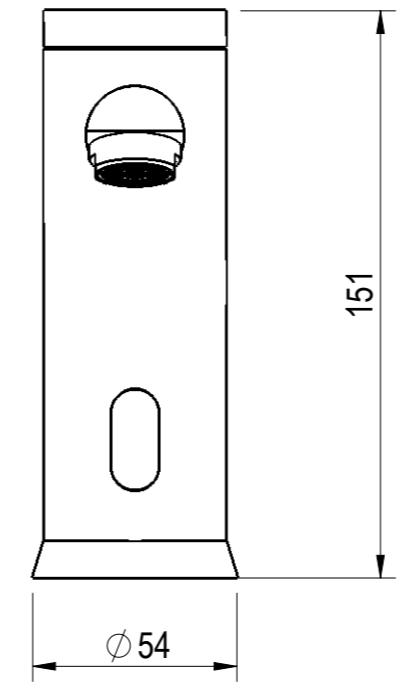


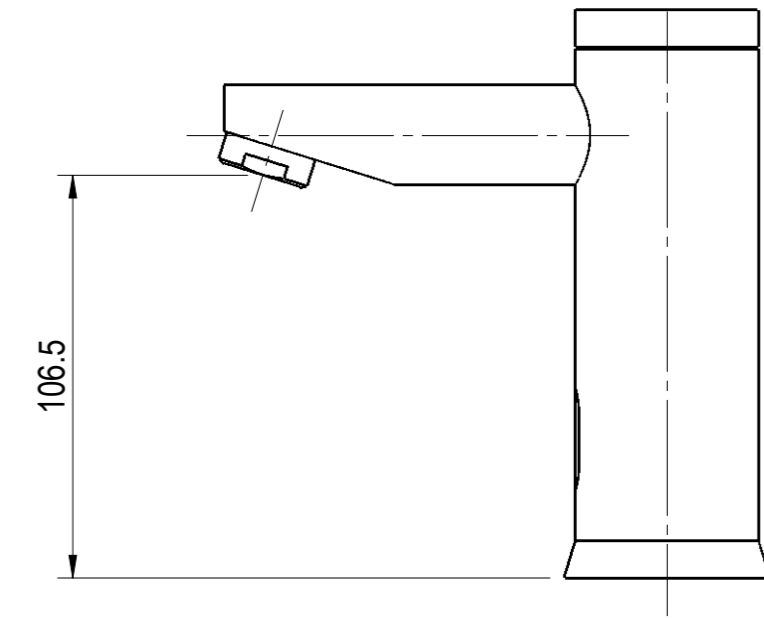
TOP VIEW
SCALE 1 : 2



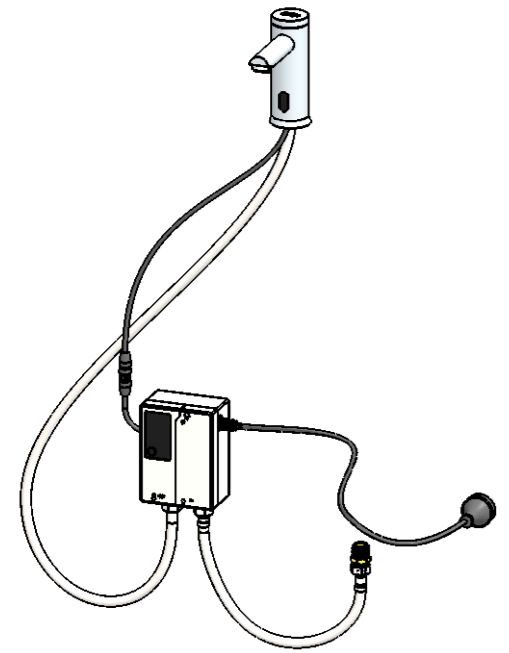
SCALE 1 : 2



FRONT VIEW
SCALE 1 : 2



SIDE VIEW
SCALE 1 : 2



Isometric View (1:1)
Configuration : Default

This drawing is CONFIDENTIAL and is supplied on the express condition that it shall not be LOANED, COPIED or DISCLOSED to any other third party or used for any purpose without the written consent of Zip Industries Pty Ltd. If this document is printed in hardcopy form, it is for INFORMATION ONLY and therefore not subject to updating controls. For the current revision ALWAYS refer to the NATIVE electronic form as stated in the top left-hand corner of this sheet. © copyright Zip Industries Pty Ltd, 25/03/2013

Zip Industries **Zip**

Manufacturing Instructions		Approved by : Unapproved on 1/01/2001	Description : Zip Sensor Tap Mains (AC)	
Make or Buy : Make	Checked by : Unchecked on 1/01/2001	Project : Washroom Products - Sensor Taps		
Manufacturing Route : See Components	Updated by : edgarG on 25/03/2013 9:19:47 AM	Material : See Components	Configuration : Default	Model : 42220
Raw material : See Components	Material : See Components	Project : Washroom Products - Sensor Taps	Configuration : Default	Created by & on EdgarG on 21/08/2012
Remove all sharp edges. This drawing ONLY details information which cannot be ascertained from the 3D geometry of the part(s) attached. Model & dimensions are AFTER all finishing operations	Finish : Finish	Model : 42220	Created by & on EdgarG on 21/08/2012	Rev A
Comments :	Finish : Finish	Drawing : 42220	Created by & on EdgarG on 25/03/2013	Size A3
Potable? : No	Recyclable? : No	Handed? : No	Derived from : New	Colour : Colour
Volume (cm ³) : 973.3	Area (cm ²) : 3206.6	Mass (g) : 3782.5	Density (g/cm ³) : 3.9	Scale : 1:1
Sheet : 1 of 1	Status : Production	Drawing Property Part Property		