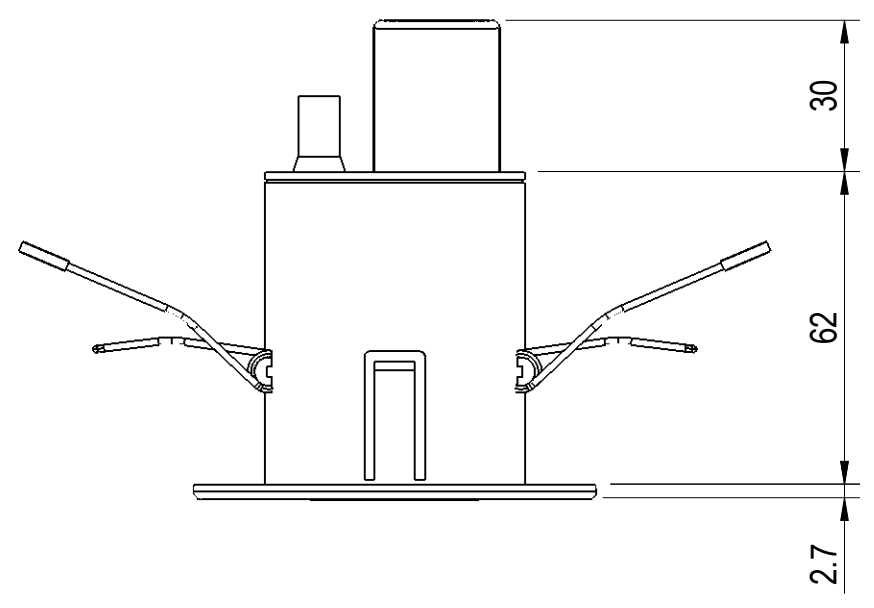
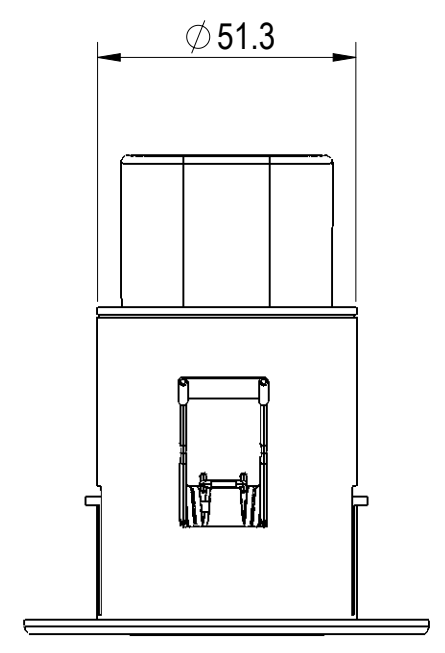
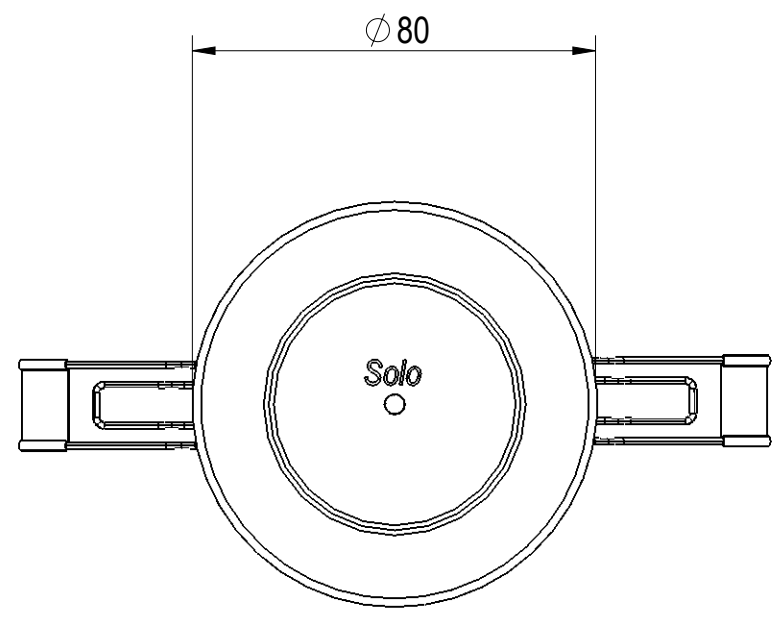
 <p>THIRD ANGLE PROJECTION</p>	Dimensions in millimetres	Zip Industries Pty Ltd 67 Allingham Street Condell Park Sydney NSW 2200 Australia
	Drawing to BS8888:2004	Web : www.zipindustries.com Email : sales@zipindustries.com
	Screw threads to BS 8498:2008	



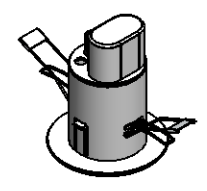
FRONT VIEW
SCALE 1 : 1.5




SIDE VIEW
SCALE 1 : 1.5



BOTTOM VIEW
SCALE 1 : 1.5



Isometric View
Configuration : Default
Scale : 1:5

<p>This drawing is CONFIDENTIAL and is supplied on the express condition that it shall not be LOANED, COPIED or DISCLOSED to any other third party or used for any purpose without the written consent of Zip Industries Pty Ltd. If this document is printed in hardcopy form, it is for INFORMATION ONLY and therefore not subject to updating controls. For the current revision ALWAYS refer to the NATIVE electronic form as stated in the top left-hand corner of this sheet. © copyright Zip Industries Pty Ltd, 25/06/2013</p>					
<p>Manufacturing Instructions</p>		<p>Approved by : Unapproved on 1/01/2001</p>		<p>Description : Zip FlushMaster Pearl Solo WS005 Ceiling Compact Sensor Narrow Beam</p>	
<p>Make or Buy : Assemble</p>		<p>Checked by : Unchecked on 1/01/2001</p>		<p>Project : Washroom Products®</p>	
<p>Manufacturing Route : See Components</p>		<p>Updated by : edgarg on 25/06/2013 5:50:39 PM</p>		<p>Configuration : Default</p>	
<p>Raw material : See Components</p>		<p>Material : See Components</p>		<p>Model : 42214</p>	
<p>Remove all sharp edges. This drawing ONLY details information which cannot be ascertained from the 3D geometry of the part(s) attached. Model & dimensions are AFTER all finishing operations</p>		<p>Finish : See Components</p>		<p>Created by & on EdgarG on 25/06/2013</p>	
<p>Comments :</p>		<p>Volume (cm³) : 61.6 Area (cm²) : 371.2</p>		<p>Derived from : New</p>	
<p>Potable? : No Recyclable? : Yes Handed? : No</p>		<p>Mass (g) : 85.6 Density (g/cm³) : 1.4</p>		<p>Colour : Colour</p>	
		<p>Scale : 1:1</p>		<p>Sheet : 1 of 1</p>	
				<p>Status : Design</p>	
				<p>Created by & on Engineer on 25/06/2013</p>	
				<p>Rev 00</p>	
				<p>Size A3</p>	
				<p>Drawing Property Part Property</p>	