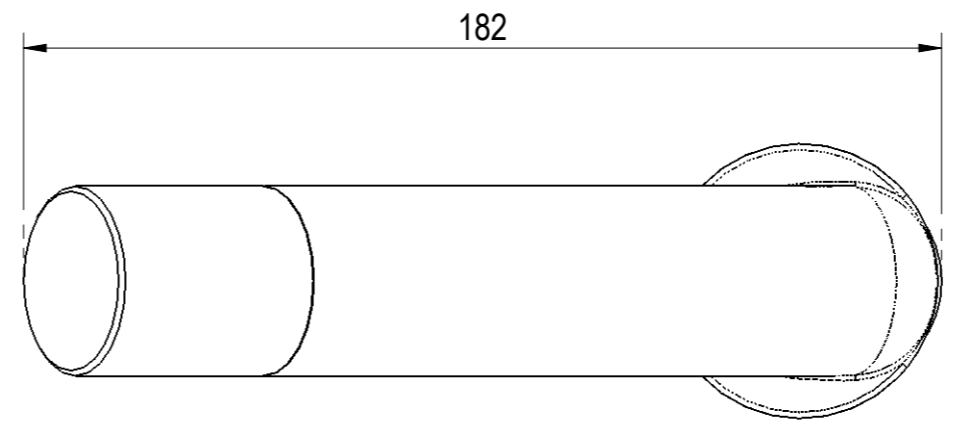


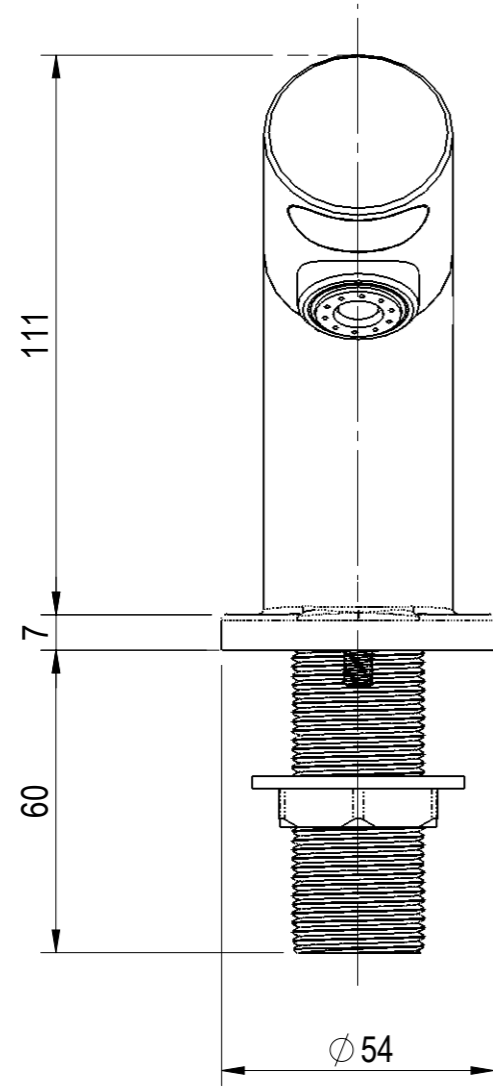
Dimensions in millimetres
 Drawing to BS8888:2004
 Screw threads to BS 8498:2008

Zip Industries Pty Ltd
 67 Allingham Street
 Condell Park
 Sydney
 NSW 2200
 Australia

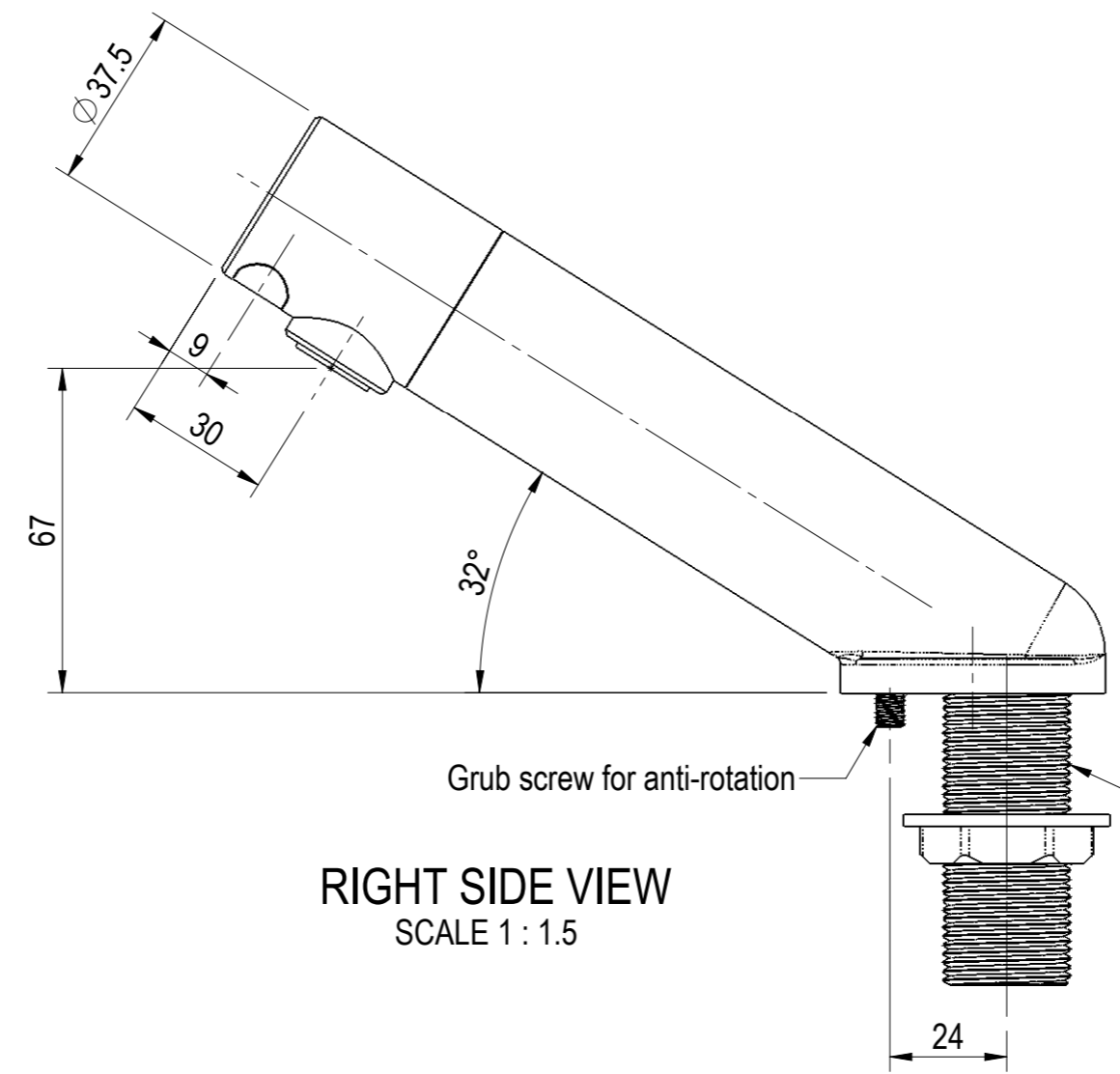
Web : www.zipindustries.com
 Email : sales@zipindustries.com



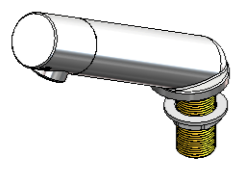
TOP VIEW
 SCALE 1 : 1.5



FRONT VIEW
 SCALE 1 : 1.5



RIGHT SIDE VIEW
 SCALE 1 : 1.5



Isometric View (1:1)
 Configuration : 42211 - Zip AquaSense Battery Deck Mounted Model

This drawing is CONFIDENTIAL and is supplied on the express condition that it shall not be LOANED, COPIED or DISCLOSED to any other third party or used for any purpose without the written consent of Zip Industries Pty Ltd. If this document is printed in hardcopy form, it is for INFORMATION ONLY and therefore not subject to updating controls. For the current revision ALWAYS refer to the NATIVE electronic form as stated in the top left-hand corner of this sheet. © copyright Zip Industries Pty Ltd, 15/03/2013



Zip AquaSense Battery Deck Mounted Model

Manufacturing Instructions		Approved by : Unapproved on 1/01/2001	Description : Zip AquaSense Battery Deck Mounted Model	
Make or Buy : Make	Checked by : Unchecked on 1/01/2001	Project : Washroom Product: Sensor Tap Deck Model : 422081		
Manufacturing Route : See Components	Updated by : edgarG on 18/03/2013 7:22:34 AM			
Raw material : See Components	Material : See Components	Configuration : 42211 - Zip AquaSense Battery Deck Mounted Model	Created by & on : EdgarG on 15/03/2013	Rev : A
Remove all sharp edges. This drawing ONLY details information which cannot be ascertained from the 3D geometry of the part(s) attached. Model & dimensions are AFTER all finishing operations	Finish : See Components	Drawing : 42211		Size : A3
Comments :	Volume (cm3) : 228.9	Area (cm2) : 444.5	Derived from : New	Colour : Colour
Potable? : No	Recyclable? : No	Handed? : No	Mass (g) : 228.9	Density (g/cm3) : 1.0
			Scale : 1:1	Sheet : 1 of 1
			Status : Production	Drawing Property / Part Property