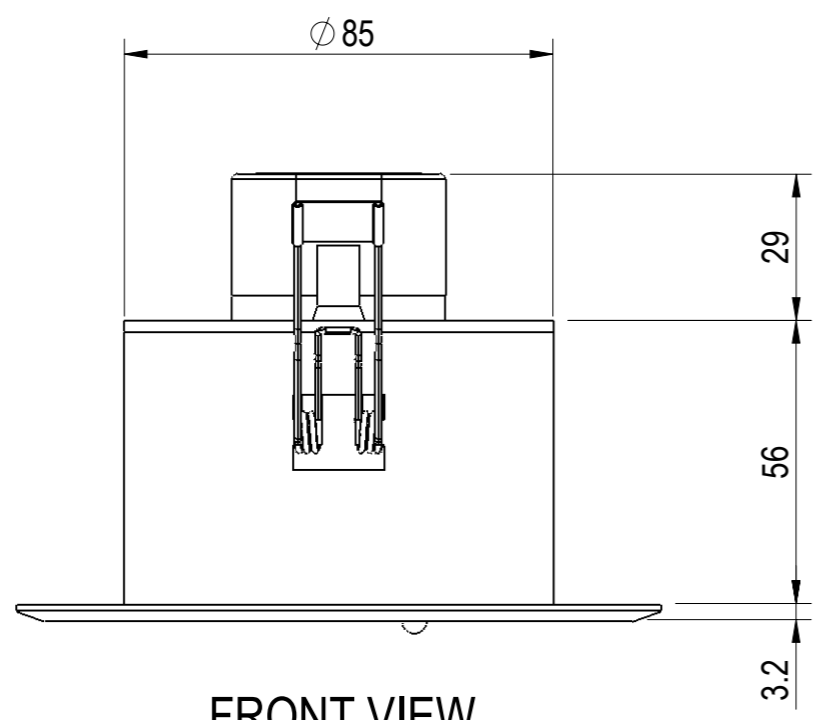


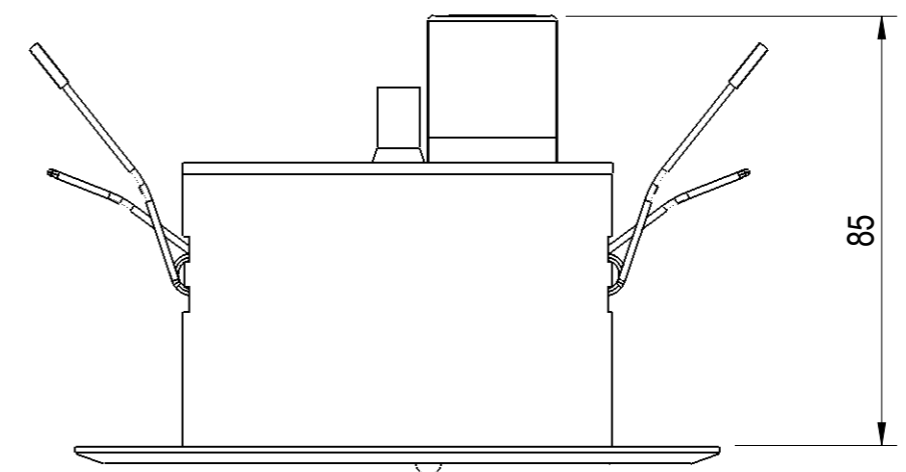
Dimensions in millimetres  
 Drawing to BS8888:2004  
 Screw threads to BS 8498:2008

Zip Industries Pty Ltd  
 67 Allingham Street  
 Condell Park  
 Sydney  
 NSW 2200  
 Australia

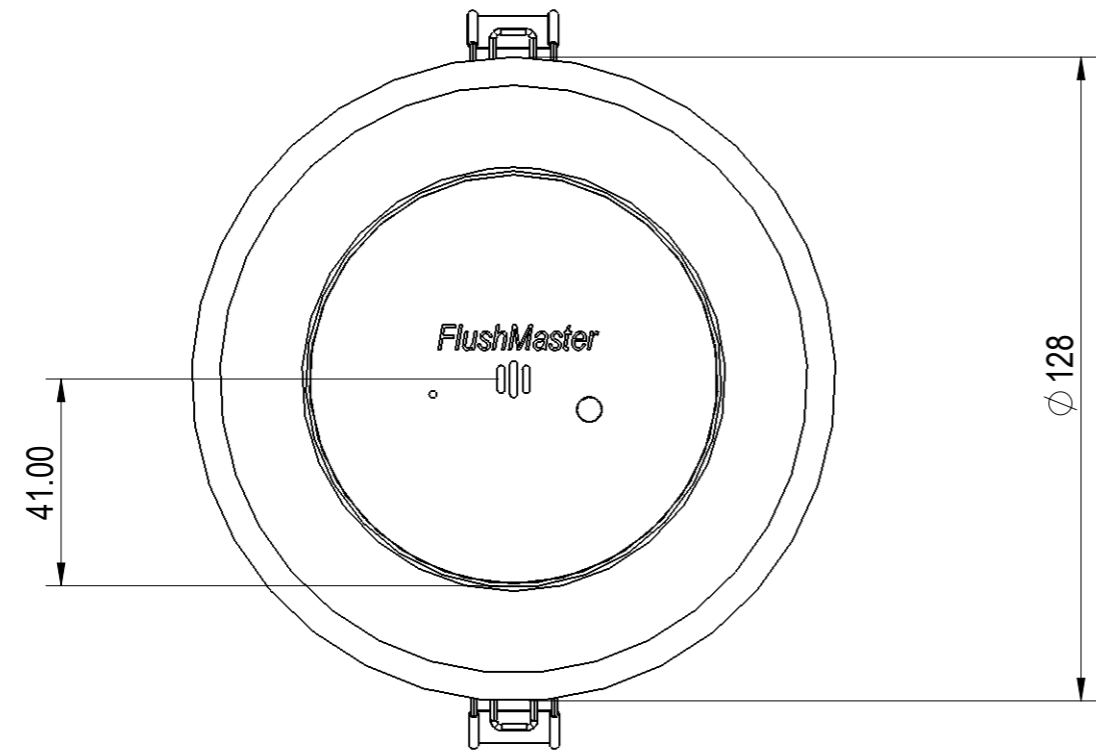
Web : www.zipindustries.com  
 Email : sales@zipindustries.com



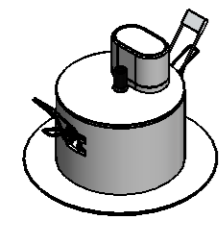
FRONT VIEW  
 SCALE 1 : 1.5



SIDE VIEW  
 SCALE 1 : 1.5



BOTTOM VIEW  
 SCALE 1 : 1.5



Isometric View  
 Configuration : Default  
 Scale : 1:5

This drawing is CONFIDENTIAL and is supplied on the express condition that it shall not be LOANED, COPIED or DISCLOSED to any other third party or used for any purpose without the written consent of Zip Industries Pty Ltd. If this document is printed in hardcopy form, it is for INFORMATION ONLY and therefore not subject to updating controls. For the current revision ALWAYS refer to the NATIVE electronic form as stated in the top left-hand corner of this sheet. © copyright Zip Industries Pty Ltd, 25/06/2013

**Zip Industries** **Zip**

<b>Manufacturing Instructions</b> Make or Buy : <a href="#">Assemble</a> Manufacturing Route : <a href="#">See Components</a> Raw material : <a href="#">See Components</a> Remove all sharp edges. This drawing ONLY details information which cannot be ascertained from the 3D geometry of the part(s) attached. Model & dimensions are AFTER all finishing operations Comments :		Approved by : <a href="#">Unapproved on 1/01/2001</a> Checked by : <a href="#">Unchecked on 1/01/2001</a> Updated by : <a href="#">edgarG on 25/06/2013 5:32:14 PM</a> Material : <a href="#">See Components</a> Finish : <a href="#">See Components</a> Volume (cm3) : 97.4 Area (cm2) : 797.1 Mass (g) : 135.4 Density (g/cm3) : 1.4	Description : <b>Zip FlushMaster WS003 Ceiling Sensor/Solenoid with Battery</b> Project : Washroom Products® Model : 41095 Drawing : <b>41095</b> Derived from : <a href="#">New</a> Scale : 1:1 Sheet : 1 of 1	Configuration : <a href="#">Default</a> Created by & on : <a href="#">EdgarG on 25/06/2013</a> Created by & on : <a href="#">Engineer on 25/06/2013</a> Colour : <a href="#">Colour</a> Status : <a href="#">Design</a>	Rev <b>00</b> Size <b>A3</b>
Potable? : <a href="#">No</a> Recyclable? : <a href="#">Yes</a> Handed? : <a href="#">No</a>	Drawing Property	Part Property			