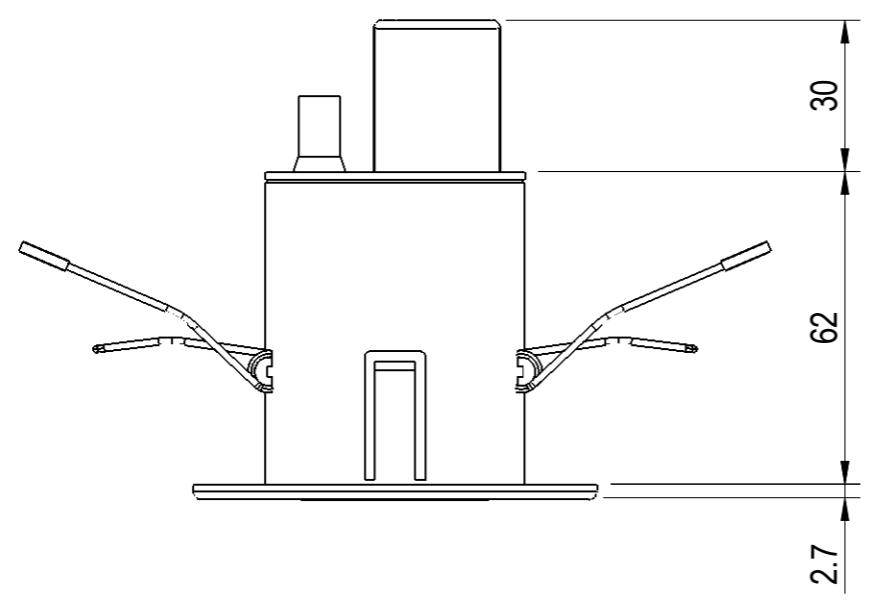
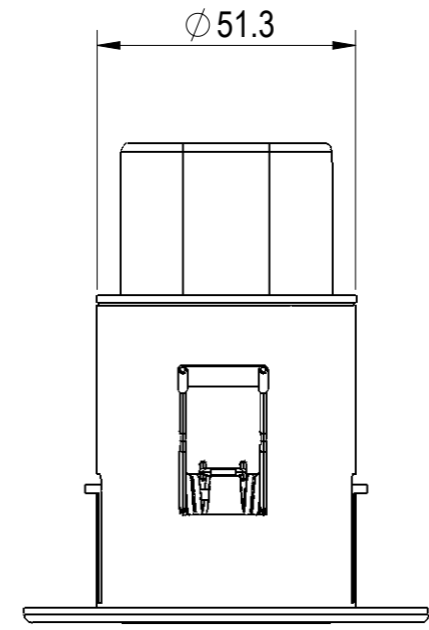
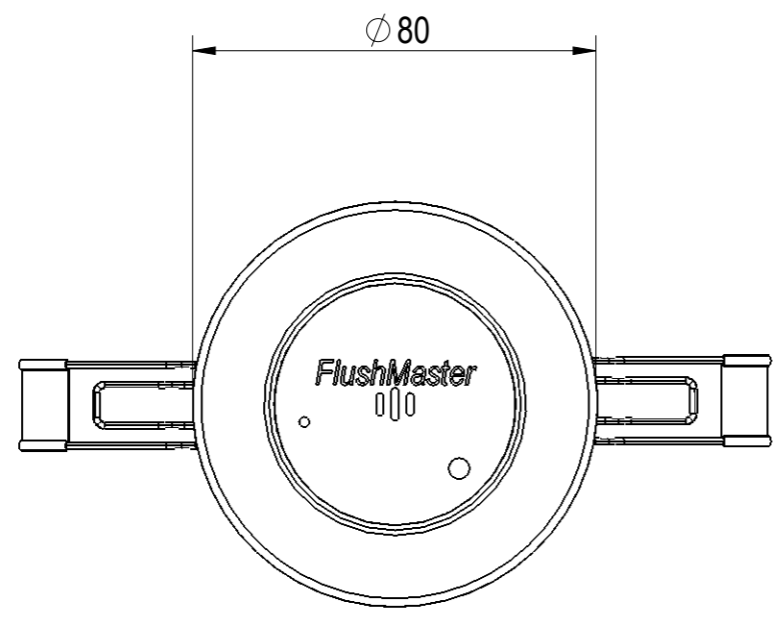
 <p>THIRD ANGLE PROJECTION</p>	Dimensions in millimetres	Zip Industries Pty Ltd 67 Allingham Street Condell Park Sydney NSW 2200 Australia
	Drawing to BS8888:2004	Web : <a href="http://www.zipindustries.com">www.zipindustries.com</a> Email : <a href="mailto:sales@zipindustries.com">sales@zipindustries.com</a>
	Screw threads to BS 8498:2008	



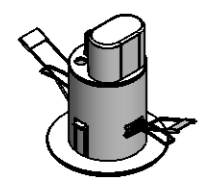
FRONT VIEW  
SCALE 1 : 1.5



SIDE VIEW  
SCALE 1 : 1.5



BOTTOM VIEW  
SCALE 1 : 1.5



Isometric View  
Configuration : Default  
Scale : 1:5

This drawing is CONFIDENTIAL and is supplied on the express condition that it shall not be LOANED, COPIED or DISCLOSED to any other third party or used for any purpose without the written consent of Zip Industries Pty Ltd. If this document is printed in hardcopy form, it is for INFORMATION ONLY and therefore not subject to updating controls. For the current revision ALWAYS refer to the NATIVE electronic form as stated in the top left-hand corner of this sheet. © copyright Zip Industries Pty Ltd, 25/06/2013



<b>Manufacturing Instructions</b> Make or Buy : <a href="#">Assemble</a> Manufacturing Route : <a href="#">See Components</a> Raw material : <a href="#">See Components</a> Remove all sharp edges. This drawing ONLY details information which cannot be ascertained from the 3D geometry of the part(s) attached. Model & dimensions are AFTER all finishing operations Comments :		Approved by : <a href="#">Unapproved on 1/01/2001</a> Checked by : <a href="#">Unchecked on 1/01/2001</a> Updated by : <a href="#">edgarg on 25/06/2013 5:46:53 PM</a> Material : <a href="#">See Components</a> Finish : <a href="#">See Components</a>	Description : <b>Zip FlushMaster Pearl WS004 Ceiling Compact Sensor w/ Battery</b> Project : Washroom Products® Model : 41091 Drawing : <b>41091</b> Derived from : <a href="#">New</a> Scale : 1:1 Sheet : 1 of 1	Configuration : Default Created by & on : <a href="#">EdgarG on 25/06/2013</a> Created by & on : <a href="#">Engineer on 25/06/2013</a> Rev : <b>00</b> Size : <b>A3</b>
Potable? : <a href="#">No</a> Recyclable? : <a href="#">Yes</a> Handed? : <a href="#">No</a>	Volume (cm3) : 61.5 Area (cm2) : 371.5 Mass (g) : 85.5 Density (g/cm3) : 1.4	Colour : <a href="#">Colour</a> Status : <a href="#">Design</a>	Drawing Property Part Property	