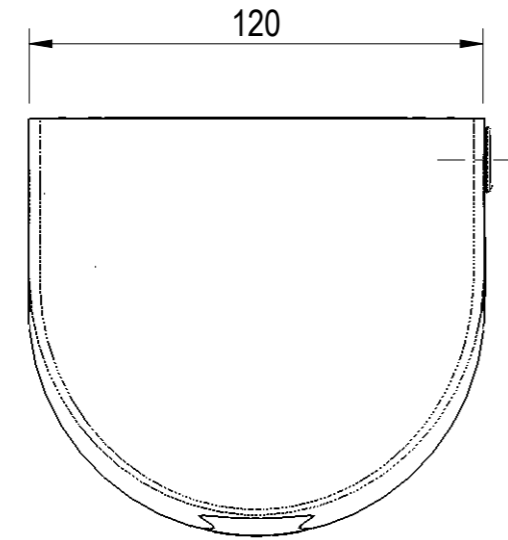
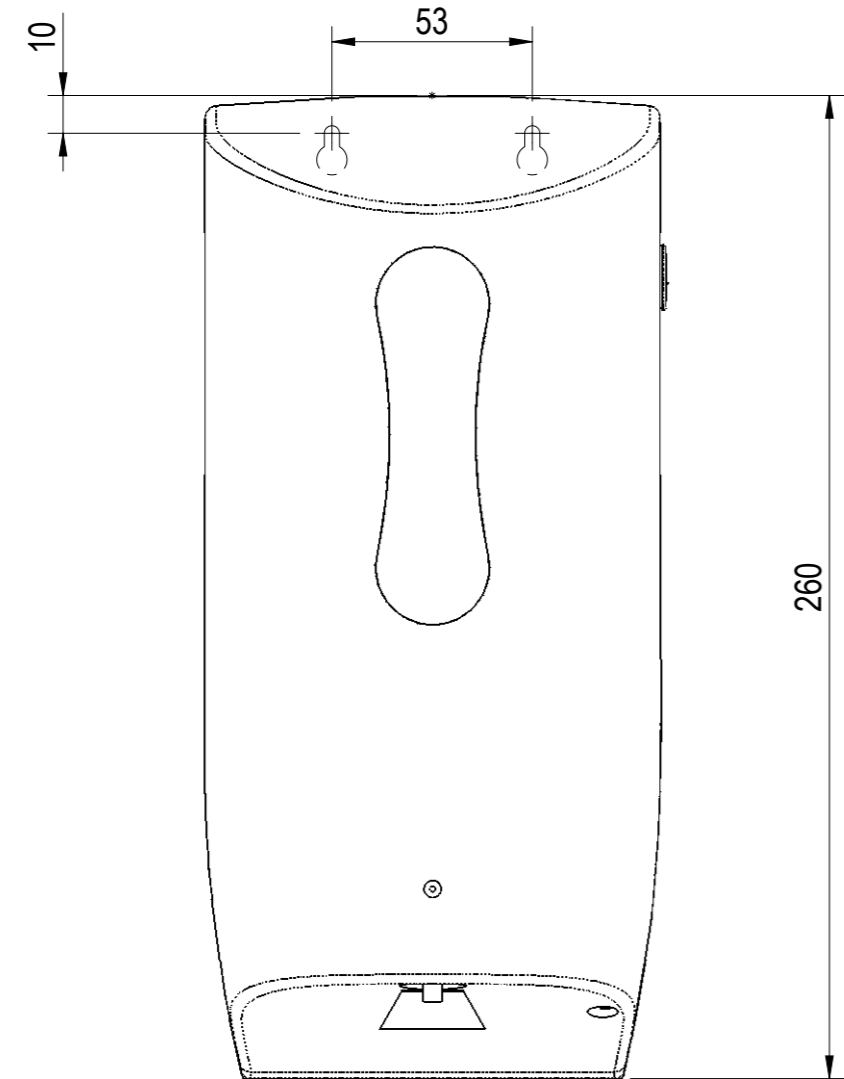
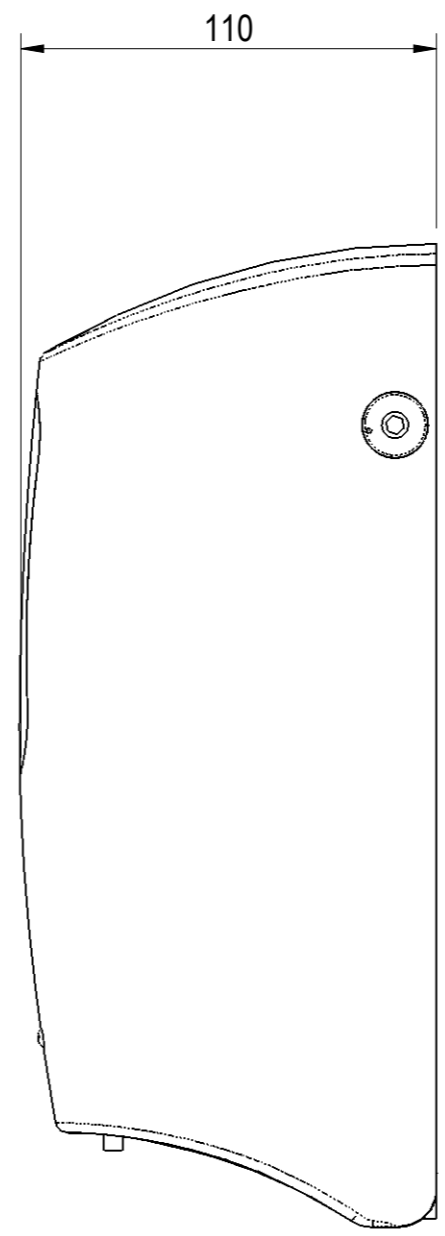
 <p>THIRD ANGLE PROJECTION</p>	Dimensions in millimetres	Zip Industries Pty Ltd 67 Allingham Street Condell Park Sydney NSW 2200 Australia
	Drawing to BS8888:2004	Web : www.zipindustries.com
	Screw threads to BS 8498:2008	Email : sales@zipindustries.com



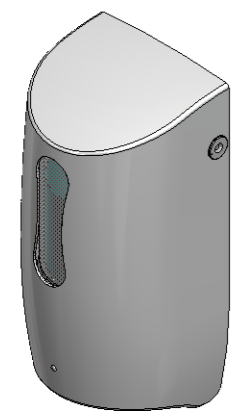
TOP VIEW
SCALE 1 : 2



FRONT VIEW
SCALE 1 : 2



RIGHT SIDE VIEW
SCALE 1 : 2



Isometric View (1:1)
Configuration : Default

This drawing is CONFIDENTIAL and is supplied on the express condition that it shall not be LOANED, COPIED or DISCLOSED to any other third party or used for any purpose without the written consent of Zip Industries Pty Ltd. If this document is printed in hardcopy form, it is for INFORMATION ONLY and therefore not subject to updating controls. For the current revision ALWAYS refer to the NATIVE electronic form as stated in the top left-hand corner of this sheet. © copyright Zip Industries Pty Ltd, 13/03/2013



Manufacturing Instructions Make or Buy : Buy Manufacturing Route : See Components Raw material : See Components Remove all sharp edges. This drawing ONLY details information which cannot be ascertained from the 3D geometry of the part(s) attached. Model & dimensions are AFTER all finishing operations Comments : Converted by nickm @ 15/02/2013 14:26:55		Approved by : Unapproved on 1/01/2001 Checked by : Unchecked on 1/01/2001 Updated by : edgarG on 13/03/2013 2:30:07 PM Material : See Components Finish : See Components Volume (cm3) : 1379.1 Area (cm2) : 4400.7 Mass (g) : 1497.7 Density (g/cm3) : 1.1		Description : Zip Liquid Soap Dispenser ABS Durable ABS Front Cover Battery Project : Washroom Products: Soap Dispenser ABS Model : 29023 Drawing : 29023 Derived from : New Colour : Colour Status : Production		Configuration : Default Created by & on : EdgarG on 13/03/2013 Created by & on : EdgarG on 13/03/2013 Rev : A Size : A3	
Potable? : No	Recyclable? : No	Handed? : No	Scale : 1:1	Sheet : 1 of 1	Drawing Property	Part Property	