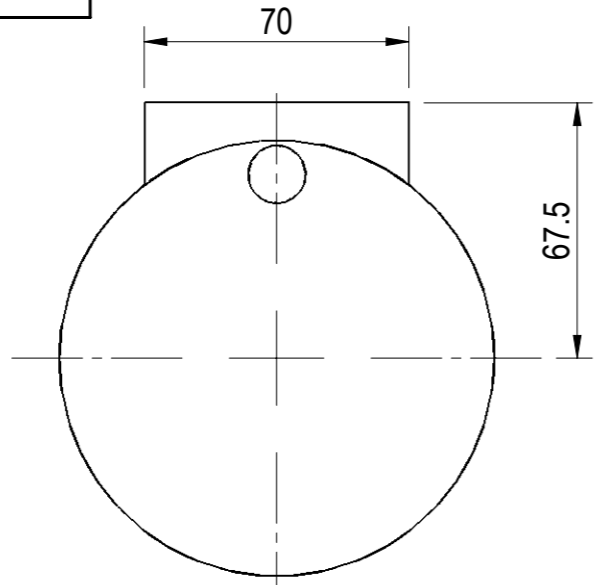


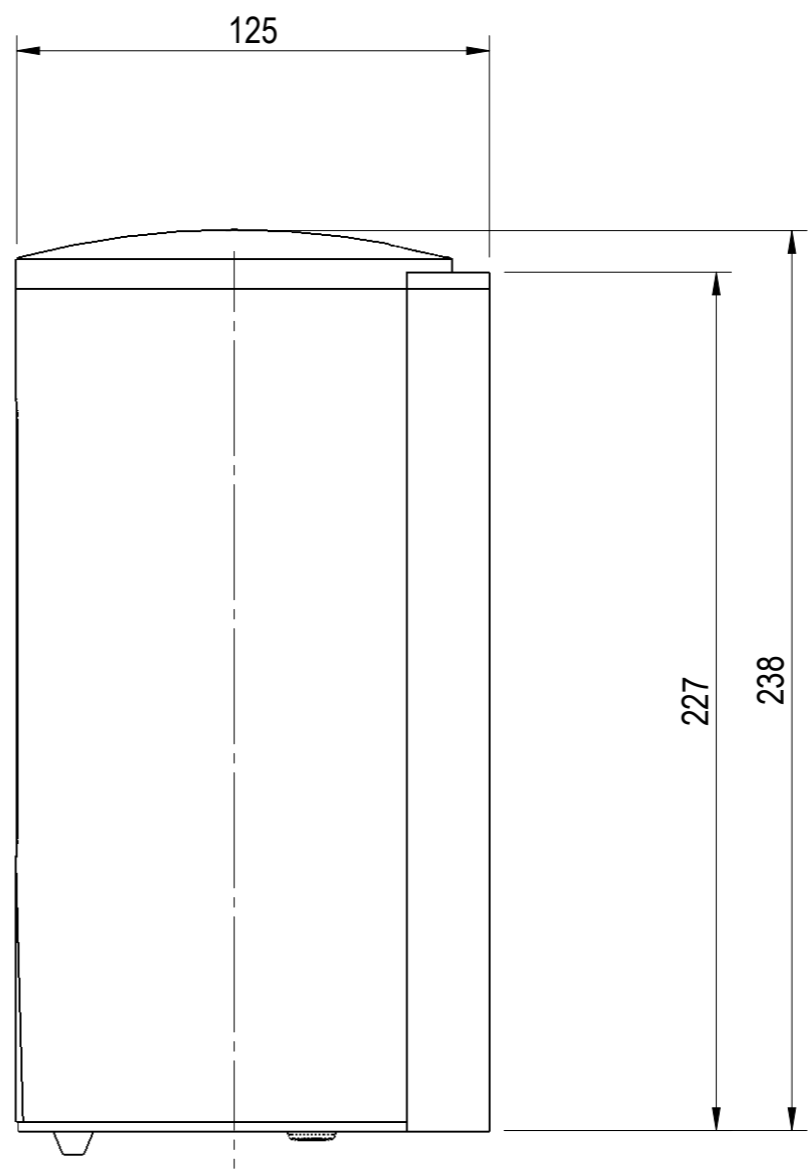
Dimensions in millimetres  
 Drawing to BS8888:2004  
 Screw threads to BS 8498:2008

Zip Industries Pty Ltd  
 67 Allingham Street  
 Condell Park  
 Sydney  
 NSW 2200  
 Australia

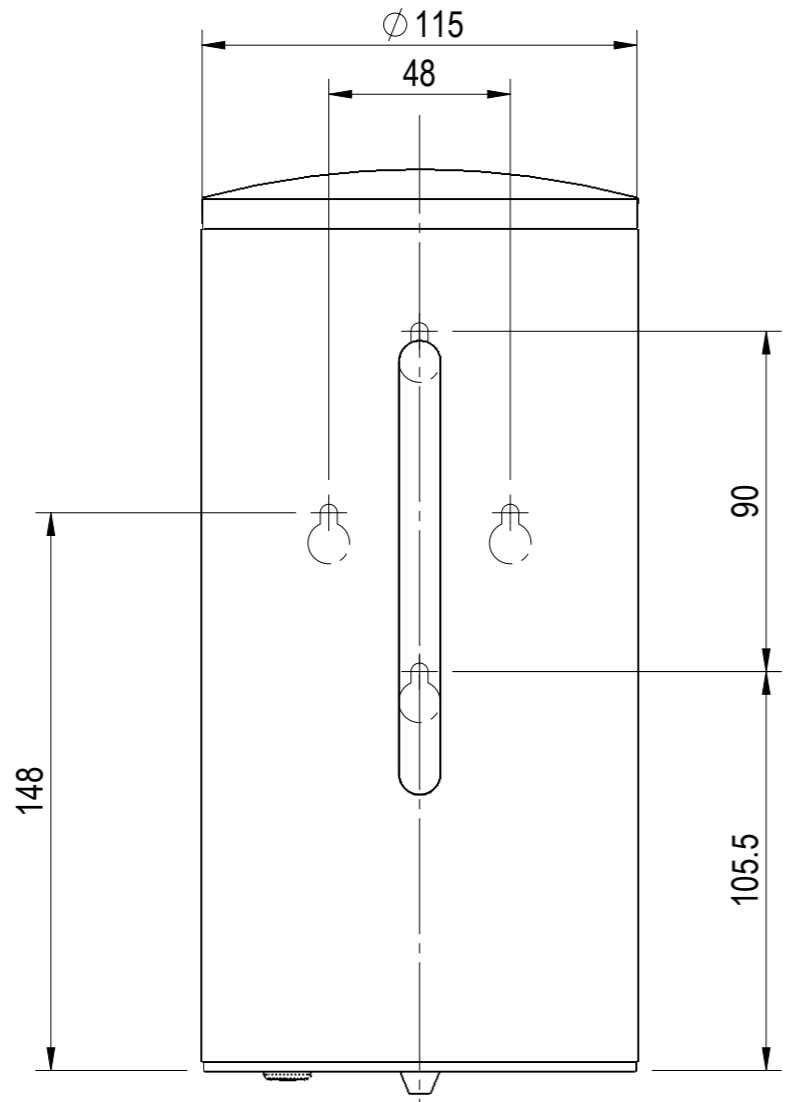
Web : www.zipindustries.com  
 Email : sales@zipindustries.com



TOP VIEW  
 SCALE 1 : 2



RIGHT SIDE VIEW  
 SCALE 1 : 2



FRONT VIEW  
 SCALE 1 : 2



Isometric View (1:1)  
 Configuration : Default

This drawing is CONFIDENTIAL and is supplied on the express condition that it shall not be LOANED, COPIED or DISCLOSED to any other third party or used for any purpose without the written consent of Zip Industries Pty Ltd. If this document is printed in hardcopy form, it is for INFORMATION ONLY and therefore not subject to updating controls. For the current revision ALWAYS refer to the NATIVE electronic form as stated in the top left-hand corner of this sheet. © copyright Zip Industries Pty Ltd, 13/03/2013



<b>Manufacturing Instructions</b>		Approved by : Unapproved on 1/01/2001	Description : <b>Zip Liquid Soap Dispenser S/S</b>	
Make or Buy : Make	Checked by : Unchecked on 1/01/2001	Project : Washroom Product: soap Dispenser S/S Configuration : Default		
Manufacturing Route : See Components	Updated by : edgarg on 13/03/2013 3:08:35 PM			
Raw material : See Components	Material : See Components	Model : 29013	Created by & on EdgarG on 13/03/2013	
Remove all sharp edges. This drawing ONLY details information which cannot be ascertained from the 3D geometry of the part(s) attached. Model & dimensions are AFTER all finishing operations	Finish : See Components	Drawing : <b>29013</b>		Created by & on EdgarG on 13/03/2013
	Comments :	Volume (cm3) : 171.0	Area (cm2) : 2681.4	Derived from : New
Potable? :No	Recyclable? :No	Handed? :No	Mass (g) : 717.6	Density (g/cm3) : 4.2
Scale : 1:1		Sheet : 1 of 1	Colour : Colour	Rev <b>A</b>
Status : Production		Size <b>A3</b>		