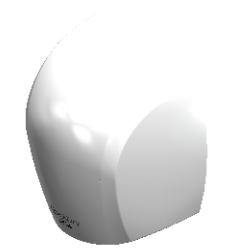
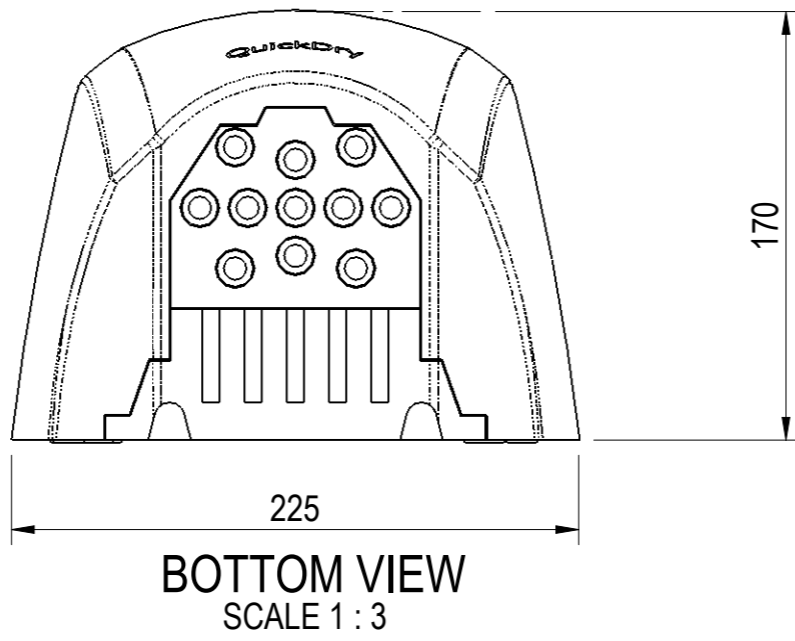
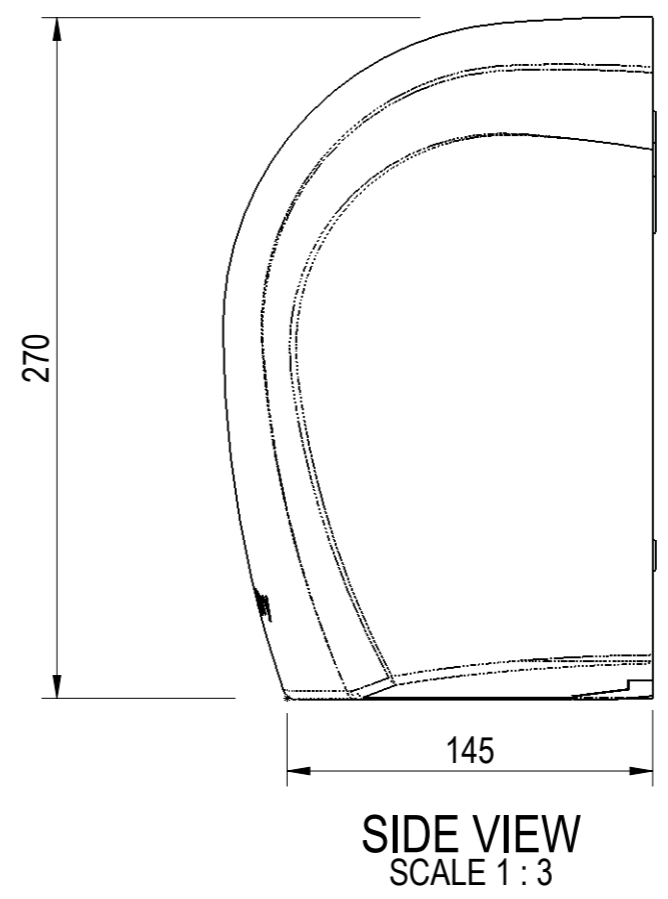
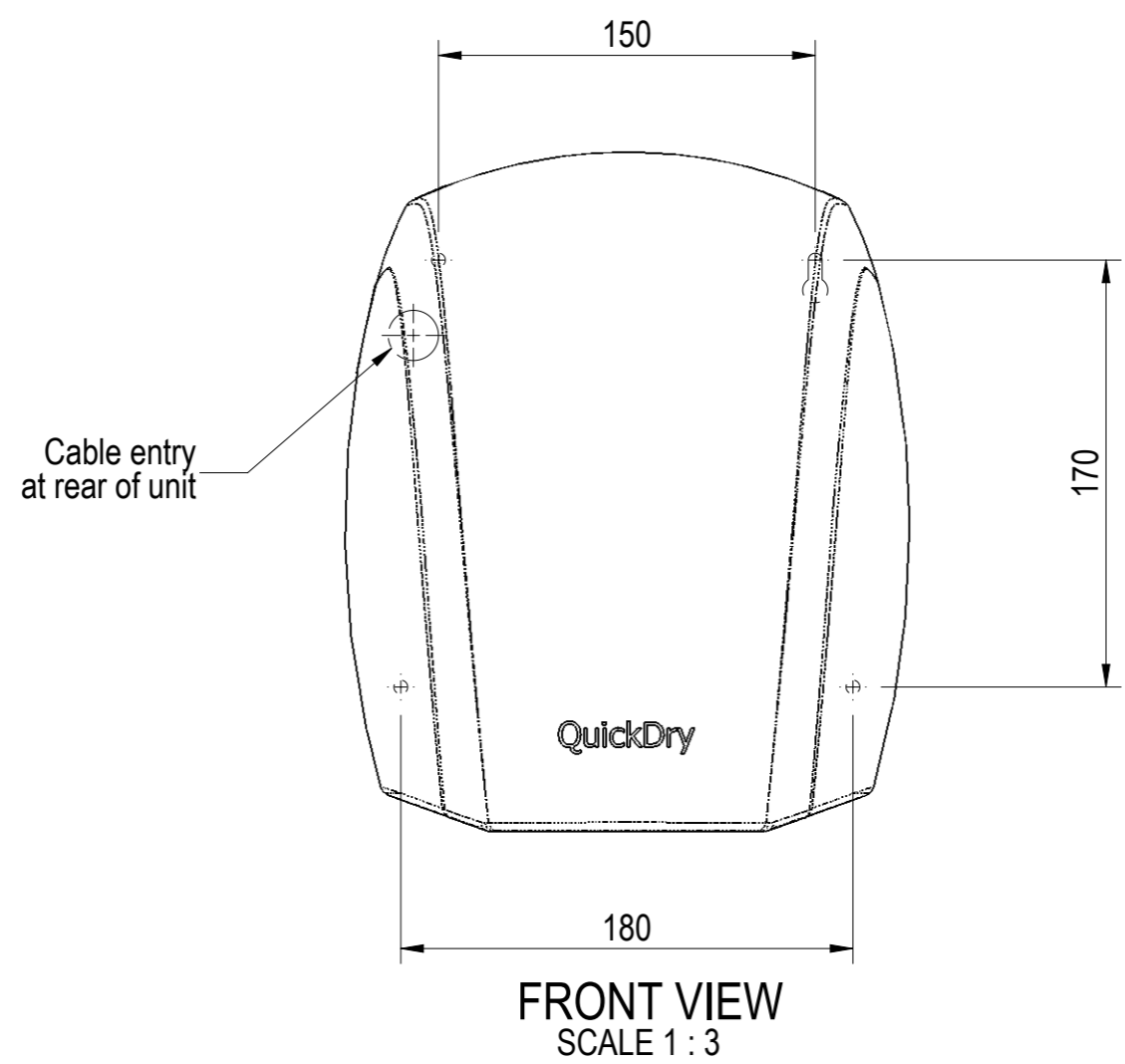
 <p>THIRD ANGLE PROJECTION</p>	Dimensions in millimetres	Zip Industries Pty Ltd 67 Allingham Street Condell Park Sydney NSW 2200 Australia
	Drawing to BS8888:2004	Web : www.zipindustries.com
	Screw threads to BS 8498:2008	Email : sales@zipindustries.com



Isometric View (1:1)
Configuration : Default

This drawing is CONFIDENTIAL and is supplied on the express condition that it shall not be LOANED, COPIED or DISCLOSED to any other third party or used for any purpose without the written consent of Zip Industries Pty Ltd. If this document is printed in hardcopy form, it is for INFORMATION ONLY and therefore not subject to updating controls. For the current revision ALWAYS refer to the NATIVE electronic form as stated in the top left-hand corner of this sheet. © copyright Zip Industries Pty Ltd, 22/03/2013



Manufacturing Instructions		Approved by : Unapproved on 1/01/2001	Description : Zip QuickDry Hand Dryer	
Make or Buy : Make	Checked by : Unchecked on 1/01/2001	Project : Washroom Products: Hand Dryer Configuration : Default		
Manufacturing Route : See Components	Updated by : edgarg on 22/03/2013 11:31:22 AM			
Raw material : See Components	Material : See Components	Drawing : 20042		Created by & on EdgarG on 22/03/2013
Remove all sharp edges. This drawing ONLY details information which cannot be ascertained from the 3D geometry of the part(s) attached. Model & dimensions are AFTER all finishing operations		Finish : See Components	Rev A	
Comments :		Volume (cm3) : 7097.8	Area (cm2) : 2308.2	Size A3
Potable? : No	Recyclable? : No	Handed? : No	Mass (g) : 19164.1	Density (g/cm3) : 2.7
Derived from : New		Scale : 1:1	Sheet : 1 of 1	Status : Production
_Drawing Property		_Part Property		