
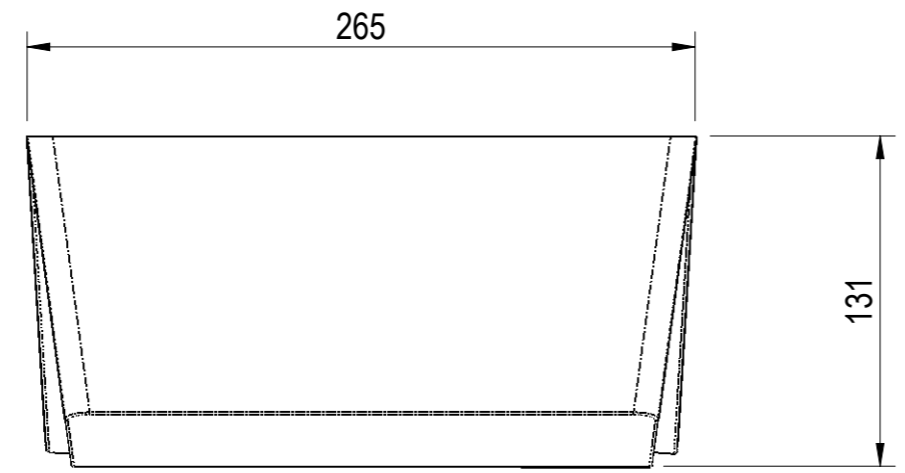
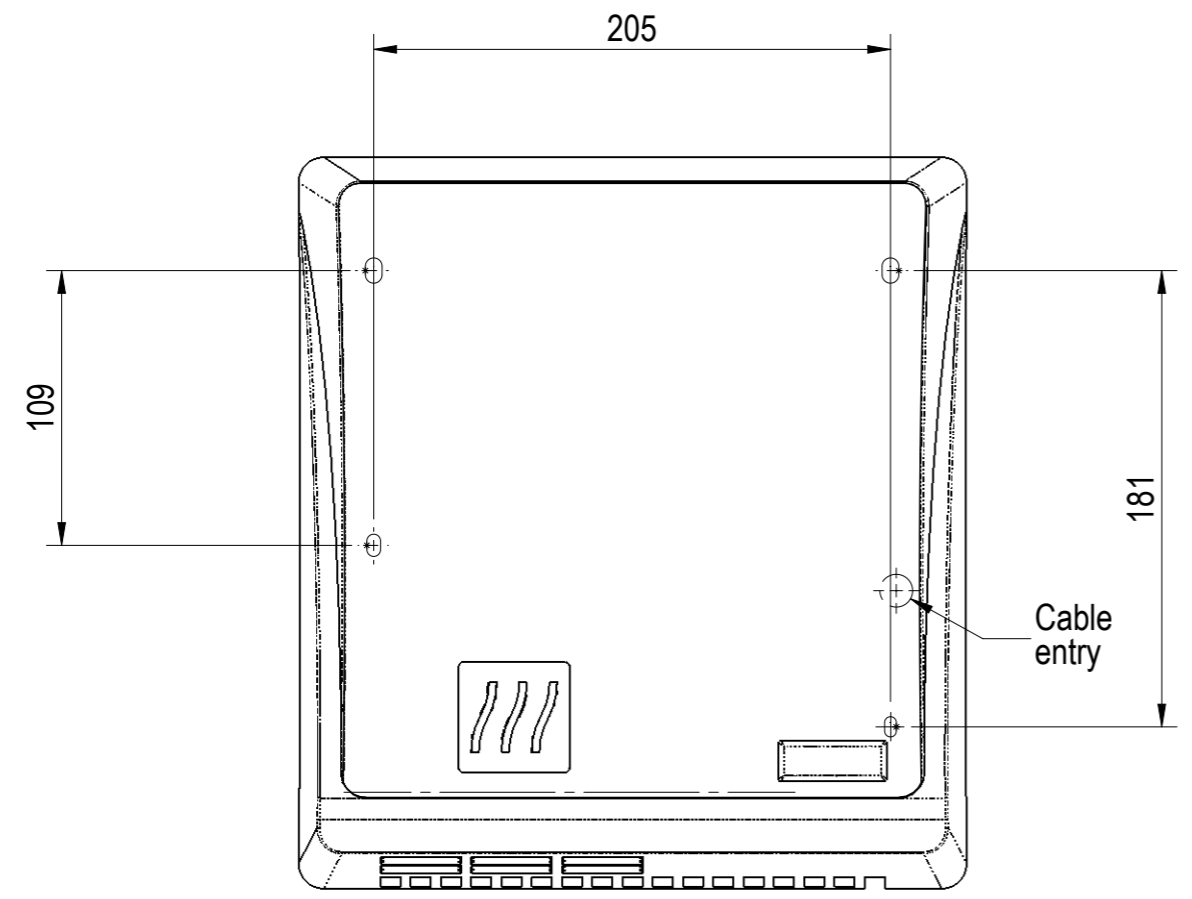


Sheet1 (Default)

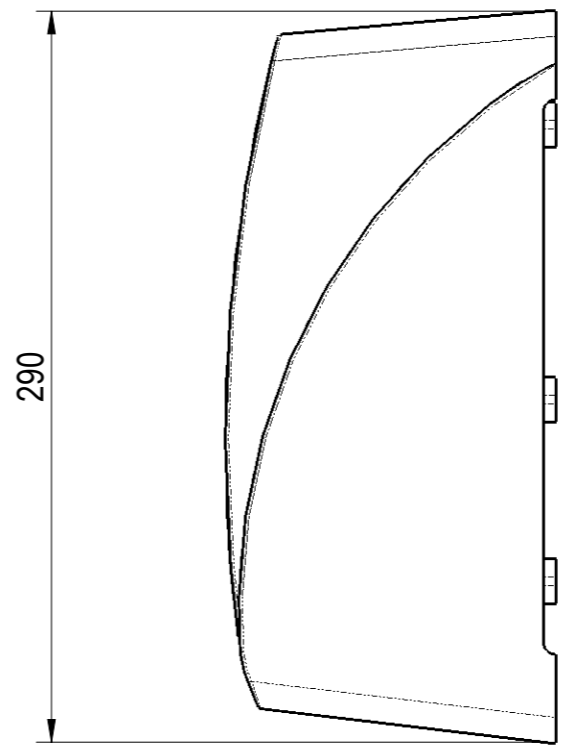
 <p>THIRD ANGLE PROJECTION</p>	Dimensions in millimetres	Zip Industries Pty Ltd 67 Allingham Street Condell Park Sydney NSW 2200 Australia Web : www.zipindustries.com Email : sales@zipindustries.com
	Drawing to BS8888:2004	
	Screw threads to BS 8498:2008	



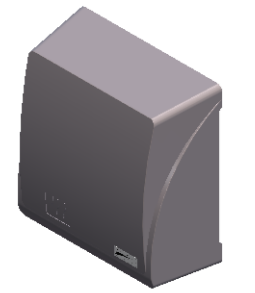
TOP VIEW
SCALE 1 : 3



FRONT VIEW
SCALE 1 : 3



SIDE VIEW
SCALE 1 : 3



Isometric View (1:1)
Configuration : Default

This drawing is CONFIDENTIAL and is supplied on the express condition that it shall not be LOANED, COPIED or DISCLOSED to any other third party or used for any purpose without the written consent of Zip Industries Pty Ltd. If this document is printed in hardcopy form, it is for INFORMATION ONLY and therefore not subject to updating controls. For the current revision ALWAYS refer to the NATIVE electronic form as stated in the top left-hand corner of this sheet. © copyright Zip Industries Pty Ltd, 19/03/2013

Zip Industries 

Manufacturing Instructions			Approved by : Unapproved on 1/01/2001		Description :	
Make or Buy : Make			Checked by : Unchecked on 1/01/2001		Zip SilentDry Hand Dryer	
Manufacturing Route : See Components			Updated by : edgarg on 22/03/2013 11:38:22 AM		Project : Washroom Products: Hand Dryers	
Raw material : See Components			Material : See Components		Configuration : Default	
Remove all sharp edges. This drawing ONLY details information which cannot be ascertained from the 3D geometry of the part(s) attached. Model & dimensions are AFTER all finishing operations			Finish : See Components		Model : 20041	
Comments :			Volume (cm3) : 962.1		Area (cm2) : 5344.5	
			Mass (g) : 5073.7		Density (g/cm3) : 5.3	
Potable? : No			Recyclable? : No		Handed? : No	
			Derived from : New		Colour : Colour	
			Scale : 1:1		Sheet : 1 of 1	
			Status : Production		Created by & on : EdgarG on 19/03/2013	
			_Drawing Property		_Part Property	
			Rev : A		Size : A3	