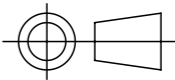
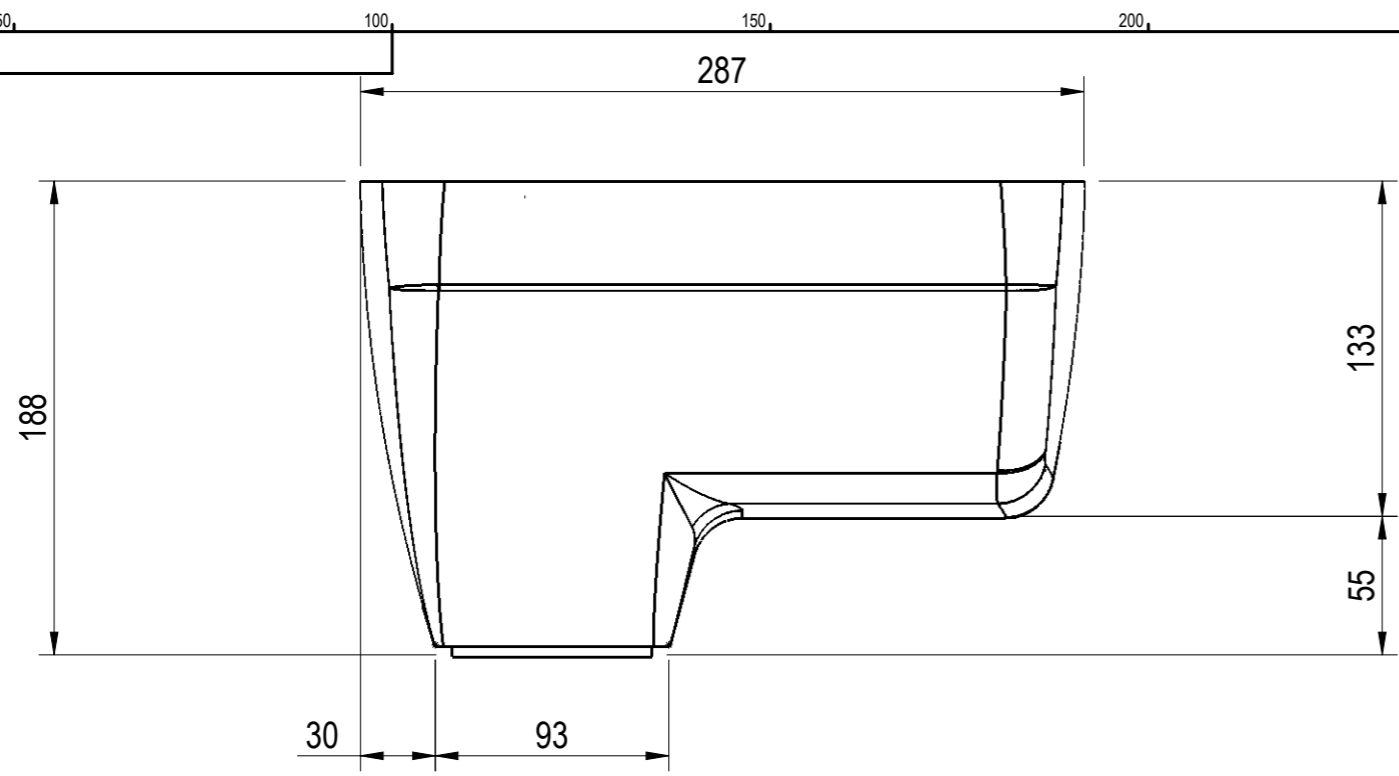
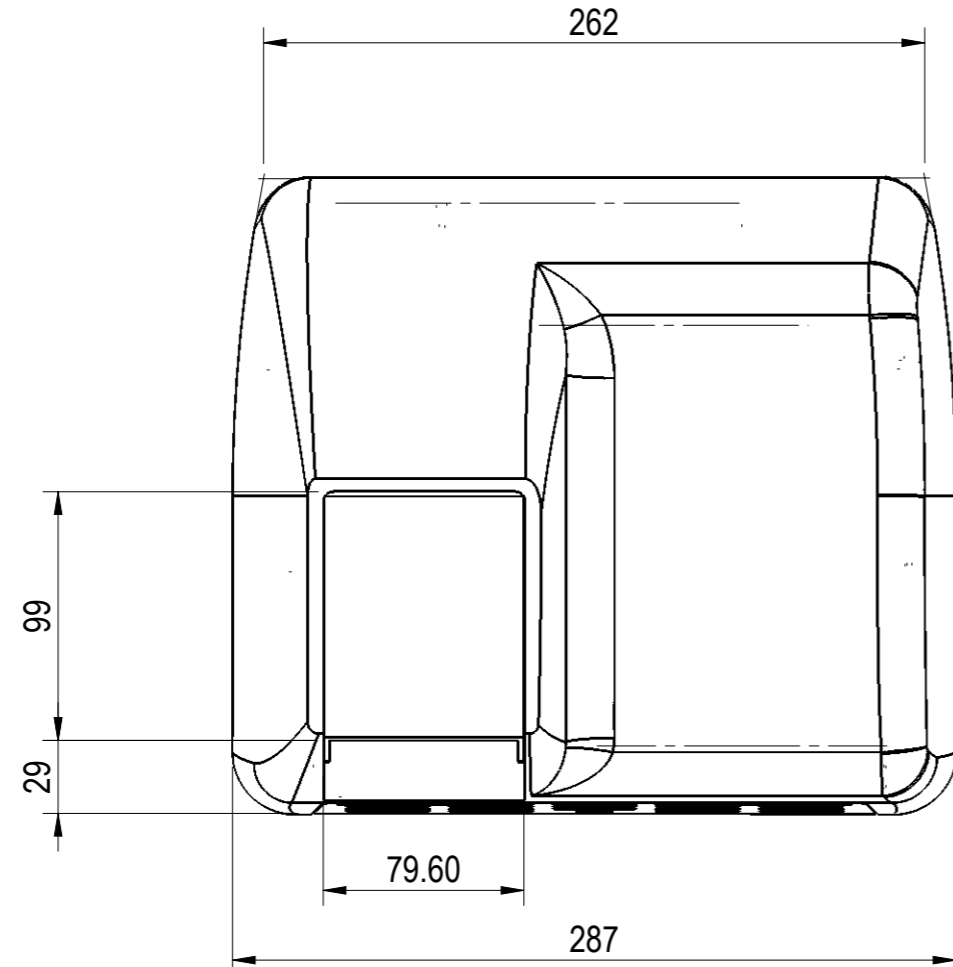


Sheet1 (Default)

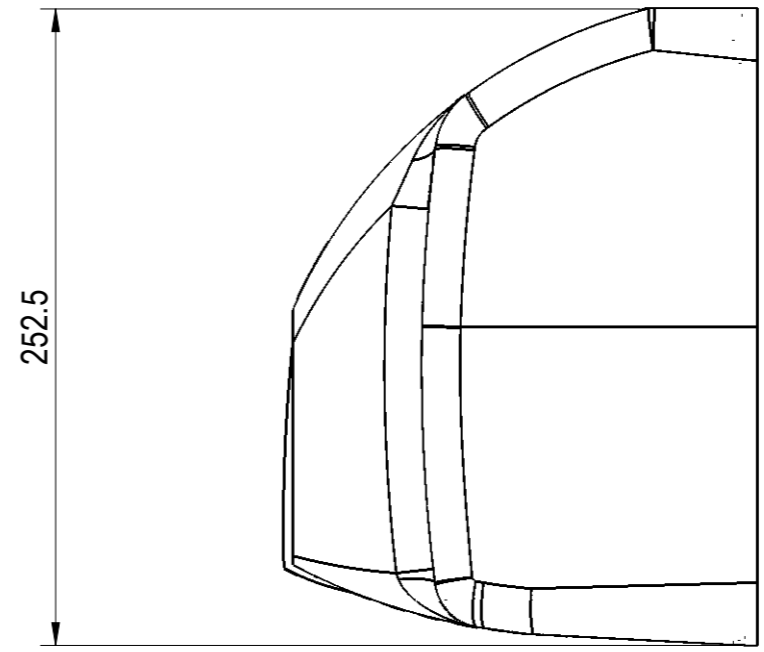
 <p>THIRD ANGLE PROJECTION</p>	Dimensions in millimetres	Zip Industries Pty Ltd 67 Allingham Street Condell Park Sydney NSW 2200 Australia
	Drawing to BS8888:2004	Web : www.zipindustries.com Email : sales@zipindustries.com
	Screw threads to BS 8498:2008	



TOP VIEW
SCALE 1 : 3



FRONT VIEW
SCALE 1 : 3



SIDE VIEW
SCALE 1 : 3



Isometric View (1:1)
Configuration : Default

1/01/2001

This drawing is CONFIDENTIAL and is supplied on the express condition that it shall not be LOANED, COPIED or DISCLOSED to any other third party or used for any purpose without the written consent of Zip Industries Pty Ltd. If this document is printed in hardcopy form, it is for INFORMATION ONLY and therefore not subject to updating controls. For the current revision ALWAYS refer to the NATIVE electronic form as stated in the top left-hand corner of this sheet. © copyright Zip Industries Pty Ltd, 18/03/2013

Zip Industries 

Manufacturing Instructions		Approved by : Unapproved on 1/01/2001	Description : Zip SuperDry (SD100D)	
Make or Buy : Buy	Manufacturing Route : See Components	Checked by : nickm on 9/08/2013	Project : Washroom	Configuration : Default
Raw material : See Components	Remove all sharp edges. This drawing ONLY details information which cannot be ascertained from the 3D geometry of the part(s) attached. Model & dimensions are AFTER all finishing operations	Updated by : nickm on 9/08/2013 4:51:17 PM	Model : 20000	Created by & on mennen on 1/12/2011
Comments : Converted by nickm @ 08/08/2013 12:17:12	Finish : See Components	Material : See Components	Drawing : 20000	Created by & on Engineer on 18/03/2013
Potable? : No	Recyclable? : Yes	Handed? : No	Derived from : New	Rev A
Volume (cm ³) : 430.3	Area (cm ²) : 4618.7	Mass (g) : 437.8	Density (g/cm ³) : 1.0	Size A3
Scale : 1:1	Sheet : 1 of 1	Colour : Proprietary	Status : Production	
		_Drawing Property		Part Property