

# QUICK START GUIDE

BCS and CS Commercial models

**Note:** This quick start guide must be read in conjunction with the main installation and user instructions



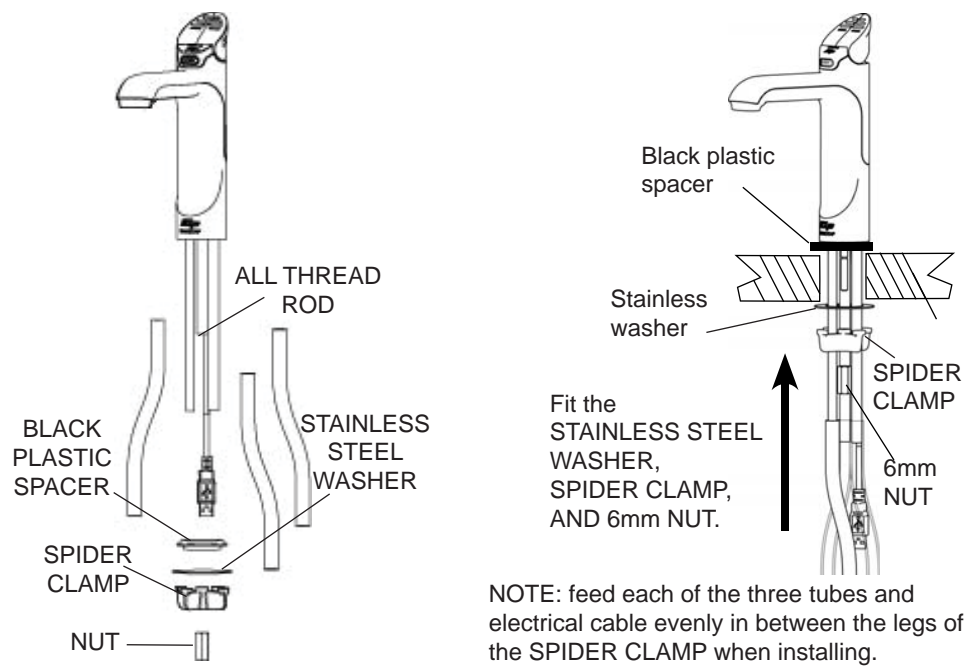
- Before proceeding, read the installation and user instructions
- Check all the components are present and correct.
- Check that you have all the necessary tools
- Ensure the underbench can support the product weight when full of water, (Check the specifications in the main book and allow an extra 4-5kg when full.)

**Before installing ensure the following have been provided at the installation site:**

- Sufficient space in the cupboard to install all of the undersink units in accordance with these Installation Instructions. Refer to technical specification for dimensions. If required, make allowance for a booster heater. (Refer to the main book, for detailed installation instructions).
- A potable water supply connection with isolating valve inside the cupboard within reach of the flexible braided hose and positioned so that the connection point and the stop cock will not be obstructed when all the undersink units are installed.
- For Zip HydroTap CS175 & all 160/175 models, a 220-240Vac, 10A GPO will be required. For Zip HydroTap 240/175 models, two 220-240Vac, 10A GPOs will be required. (One GPO is for the Zip HydroTap and the other for the Booster heater).  
**NOTE: Check the cable lengths and outlet positions before proceeding.**
- A potable cold water supply of between 250 - 700kPa
- Isolation valves for Hot and Cold water.
- For the mains pressure All-IN-ONE, both a hot and cold water supply will be required.
- The undersink appliances must be mounted in upright positions, with their bases mounted horizontally, as shown in the diagrams.

**IMPORTANT!** Do not proceed with the installation if these requirements are not met.

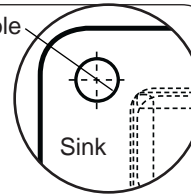
## 1 - HydroTap and Elite Tap



NOTE: feed each of the three tubes and electrical cable evenly in between the legs of the SPIDER CLAMP when installing.

Apply a light smearing of silicon sealant on the underside of the upper spacer to ensure a watertight fit.

**Hole positioning:** Position the tap such that it dispenses into the sink bowl with ample clearance for a cup or tea pot. Alternatively, the tap could be mounted away from the sink using a Zip Font, available as an accessory.



## 2 - HydroTap Arc/Cube

The HydroTap Arc/Cube has a spout that may be fixed in one of 6 angular positions (depending on the position of the rotary control) and fixed in one of two height positions. The spout is fixed and does not swivel.

**NOTE:** The tube kit must be fitted after the HydroTap has been mounted on the benchtop or sink. Refer to the tube kit assembly instructions, supplied with the tap kit.

1. Remove the 2 x spout locating screws and lower the spout to expose the plastic spring clip

**NOTE:** The plastic spring clip has two internal dimples that may be positioned in the 6 upper or 6 lower, pre drilled holes in the spout (see diags. below )

2. To reposition the spout, gently spread the plastic spring clip to release the dimples from the spout holes. When released, slide the clip on the spout so that it ends up between the two rows of holes.
3. Rotate the plastic clip on the spout to orient the dimples, so they are in line with the newly selected holes.

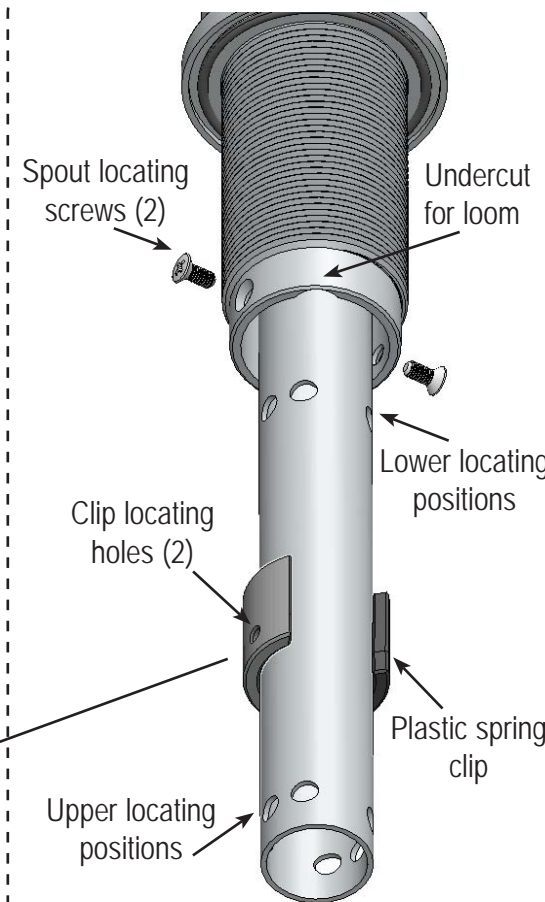
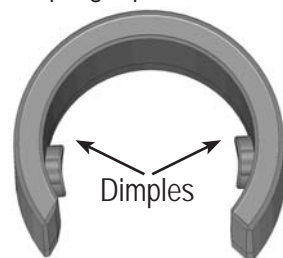
**NOTE:** When determining which of the 6 holes are required for the new spout height and orientation, check the new plastic clip position will clear the undercut and that the wiring loom will not be pinched, when assembled.

4. Slide the plastic clip up/down to engage with the selected holes, making sure the two dimples engage simultaneously with the two selected holes.

**NOTE:** The clip will not fit correctly if one dimple engages before the other. Both dimples must engage at the same time.

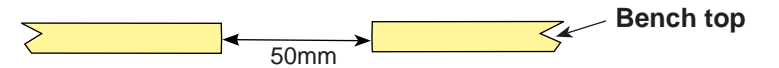
5. With the clip fitted to the newly selected holes, carefully raise the spout (ensure the wiring loom is a neat fit in the undercut and is located between the open ends of the clip) until the clip locating holes are in line with the spout locating screws.
6. Replace the 2 x locating screws.
7. If mounting on an uneven surface, apply a light smearing of silicon sealant on the O ring to ensure a watertight fit.
8. Pass the assembly through the 35mm hole and position the tap so it discharges into the sink.
9. Fit the lower rubber seal to the threaded extension.
10. Secure the tap in position with the metal washer and nut.
11. Fit the tube kit, as supplied

Plastic spring clip



## 3 - All-In-One Tap

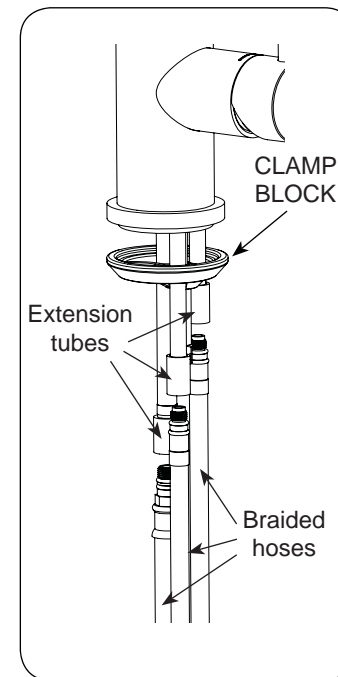
For All-In-One taps cut a 50mm hole in the bench or sink top.



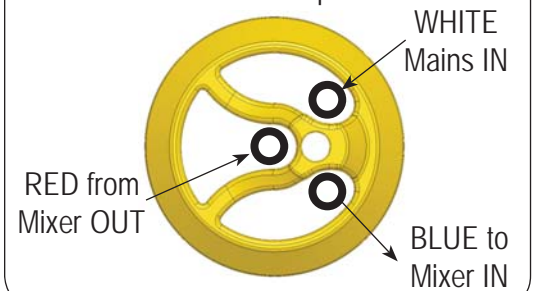
**Note:** make sure the tap location will allow the nozzle to drain into the sink.

- Fit the seal ring to the base of the tap and If mounting on an uneven surface, a light smear of silicone on the seal ring will ensure a water tight seal.
- Mount the tap on top of the cut out hole after passing the usb cable and tubes through the 50mm hole
- Thread the cable and silicon tubes through the circular clamp block (Check the tube colour matches with the coloured dots on the clamp block). (See below)
- Clamp the assembly in position using the threaded nut and clamp block
- Working from inside the cupboard, attach the braided hoses to the tube extensions (Use the o-ring grease, supplied, to ensure the seals on the end of the hoses are lubricated). Check the correct position for Hot and Cold connections by matching the colours on the braided hoses with the coloured markings on the copper extension tubes. (See below)
- Test for leaks after all the connections have been secured.

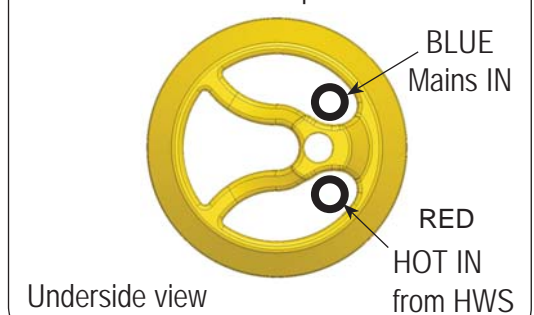
Typical Vented assembly



Vented braided hose positions

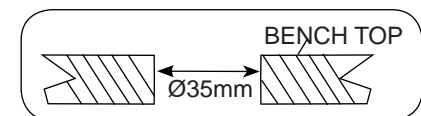


Mains braided hose positions



## 4 - Mixer Tap 4-in-1

For HydroTap & Mixer taps : cut a 35mm hole in the bench or sink top.



- Fit the O-ring into the recess on the underside of the Mixer tap. (Note: If mounting on an uneven surface, a light smear of silicone on the seal ring will ensure a water tight seal)
- Affix the three hoses to the tap, matching their colours to the tube extension colours.
- Pass all hoses through the 35mm hole and position the tap so that it discharges into the sink.
- Fit the lower rubber seal to the threaded extension.
- Secure the tap in position with the metal washer and Nut.



# 5 - 2.640 KG - CO<sub>2</sub> Cyl.

This cylinder must be installed in an open plan area or in an enclosed room, with a volume no less than 50m<sup>3</sup>. See details on the gas bottle and in the MSDS sheet for a complete list of warnings.

**1-** After removing all packing material, mark out the cradle location, and fit it on a suitable wall, within 1 metre of the unit. Make sure the gas bottle, regulator and cradle assembly can comfortably fit, with sufficient clearances, before securing the cradle inside the cupboard. Due to regulatory requirements the gas bottle must be stored securely and in an upright position. Secure the bottle with the hook-and-loop straps provided.

**2-** After unpacking, fit the regulator to the gas bottle. Ensure the plastic seal is fitted securely inside the large chrome nut, before attaching to the gas bottle. If the plastic seal is not an easy fit over the spigot, soak it in hot water, before re-applying. Do not force the seal to fit. Turn the regulator OFF by rotating the regulator knob, all the way out, in an anti-clockwise direction.

**NOTE:** Two plastic seals are supplied with a new regulator. Only one is required, the other is supplied as a spare part.

**3-** Connect the braided gas hose to the top of the underbench unit via the John Guest fitting marked 'Gas IN'. Then connect the threaded end to the regulator (Do not lose the small sealing olive). When commissioning, turn the gas ON by rotating the valve on top of the cylinder, anti-clockwise. Then adjust the outlet pressure, by rotating the regulator knob in a clockwise direction, to between 2.7- 3.0 bar (green zone)

**NOTE:** The arrow should sit in the green zone of the regulator gauge; it should not fall in the red or yellow sections.

**4 -**When commissioning, use soapy water to perform a leak test. Apply the soapy water to the two gas connections using a sponge or brush. If any bubbles appear and grow, there is a gas leak at the connection. Clean away the soapy residue and tighten or refit the leaking connection. Make sure the gas is turned off when tightening or refitting the leaking connection.

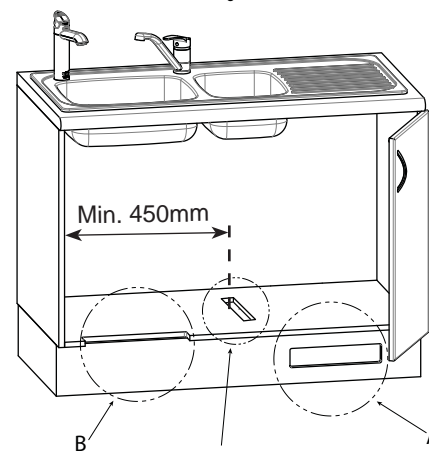
Fit the gas bottle into the cradle and secure with the Hook-and-loop strap. Ensure the bottle is in an upright position.

**NOTE:** Care must be taken when working with high pressure carbon dioxide, and in no case should the normal operating pressure of between 2.7- 3.0 bar be exceeded.

## 6 - Ventilation

**ATTENTION:** Insure that: Cut outs 'A' and 'B' are on opposite side of cabinet. Cut out 'C' is straight behind 'A'

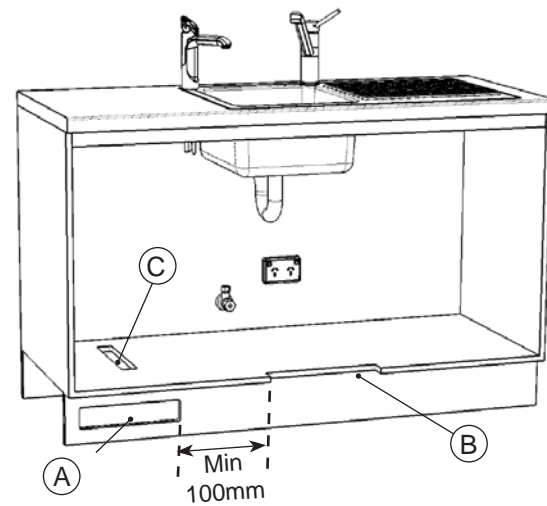
Typical BCS cut out for R/H vented models



For positioning of cutout C use the template marked on the cardboard carton

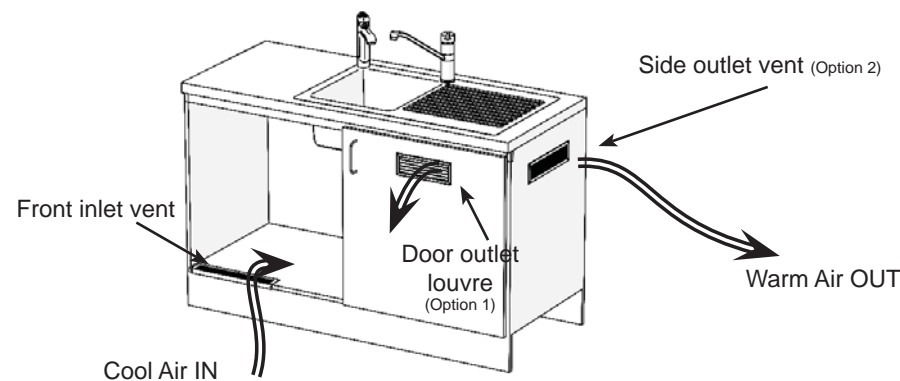
- A - KICKBOARD CUT-OUT**  
1. Drill 4 pilot holes Ø12 in corners  
2. Finish cut-out using Jigsaw and Keyhole or Wall Board saw
- B - CABINET FLOOR CUT-OUT**  
1. Drill two pilot holes Ø12  
2. Finish cut-out using Jigsaw
- C - CABINET FLOOR CUT-OUT**  
1. Drill 4 pilot holes Ø12 in corners  
2. Finish cut-out using Jigsaw and Keyhole or Wall Board saw

**Note:** For alternative options, refer to section 2 of the main instructions



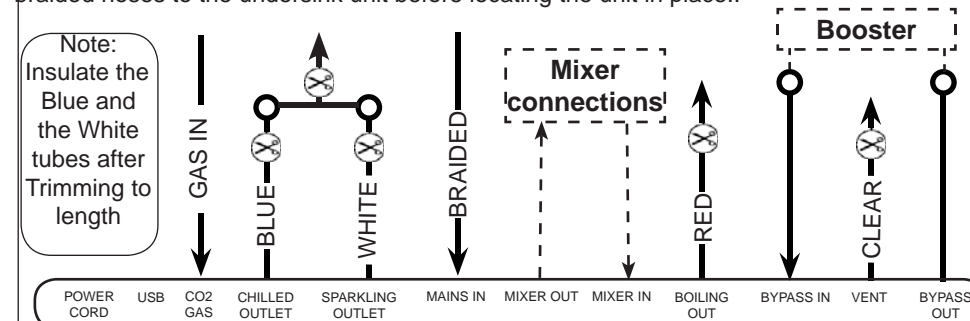
Cut out arrangement for Chilled Sparkling models with venting via a left hand appliance duct. Allow sufficient side clearance for cut out (C) Maintain 100mm clearance between (A) & (B) cut outs

Typical airflow for sparkling models when no kickboard venting is possible



## 7 - HydroTap Unit

**Note:** Remove all caps from the top of the undersink unit and install the mains water braided hoses to the undersink unit before locating the unit in place..



## 8 - Commissioning

Turn on the water and gas to check for any leaks before turning on the power. The system will prompt you to select a language before continuing with the filter flush procedure

**CO<sub>2</sub> Purge: (Sparkling models)**



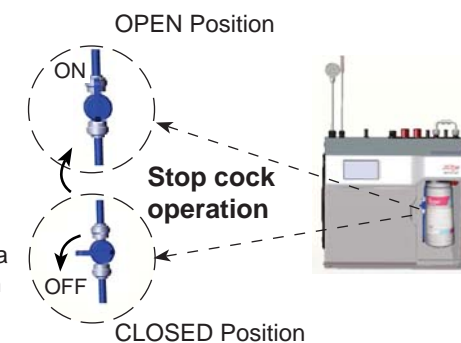
1. Press the [START] button to commence the purging process.
2. Purge for 5 seconds and ensure all water has stopped flowing through the tap. (You will hear the CO<sub>2</sub> gas escaping from the tap).
3. Press the [Stop] button.
4. Press [Next] for the filter flush screen

## Commissioning the HydroTap

# 8 - Commissioning

**Filter Flush:**

Have a 10L bucket or similar container (not supplied) at the ready to hold a quantity of water that will be ejected while the Filter Flush Mode is in operation. Open the filter access door on the front of the HydroTap and the filter cartridge will be exposed. Located to the rear RHS of the cartridge is a flush line, approx 600mm long and the flush line stop cock. Place the valve end of the flush line into the 10L bucket or container.



1. Turn the stop cock ON
2. Press [Start] button to start filter flush.
3. Allow at least 10 litres of water to flush through the filter.
4. Once the filter flush is finished, Turn the stop cock OFF then press [Stop] to end filter flush mode.

**Flow Calibration:**

1. Press [Next] and the View screen will show the Flow calibration mode.
2. Press the [Start] button and the tank will first empty then fill. Upon completion the actual pulse will be displayed. Check this reading is within the limits

**Boiling Calibration:**

1. Press [Next] for the Boiling Calibration screen.
2. Press the calibration button and the system will commence the Boiling calibration procedure. This will take approx 5-6 minutes.
3. Upon completion, a Booster reminder screen will appear and allow you to return home by pressing the [Home] button.
4. Check the Date and Time settings (See section G of the user guide)

**To enable the Booster: (when installed)**

- Press the [MENU] button for main menu.
- Press the [Install] button.
- Press the [Booster] button.
- In the next screen, press YES to enable the Booster.
- Turn the Booster ON
- Water must be run through the Booster for a min of 30 seconds, before the heater will activate.
- Dispense boiling water for 30 seconds and check the Booster outlet hose is warm when the boiling water tank is replenishing.

**Note:** Failing to make the correct selection for the "Booster", will affect product performance.

