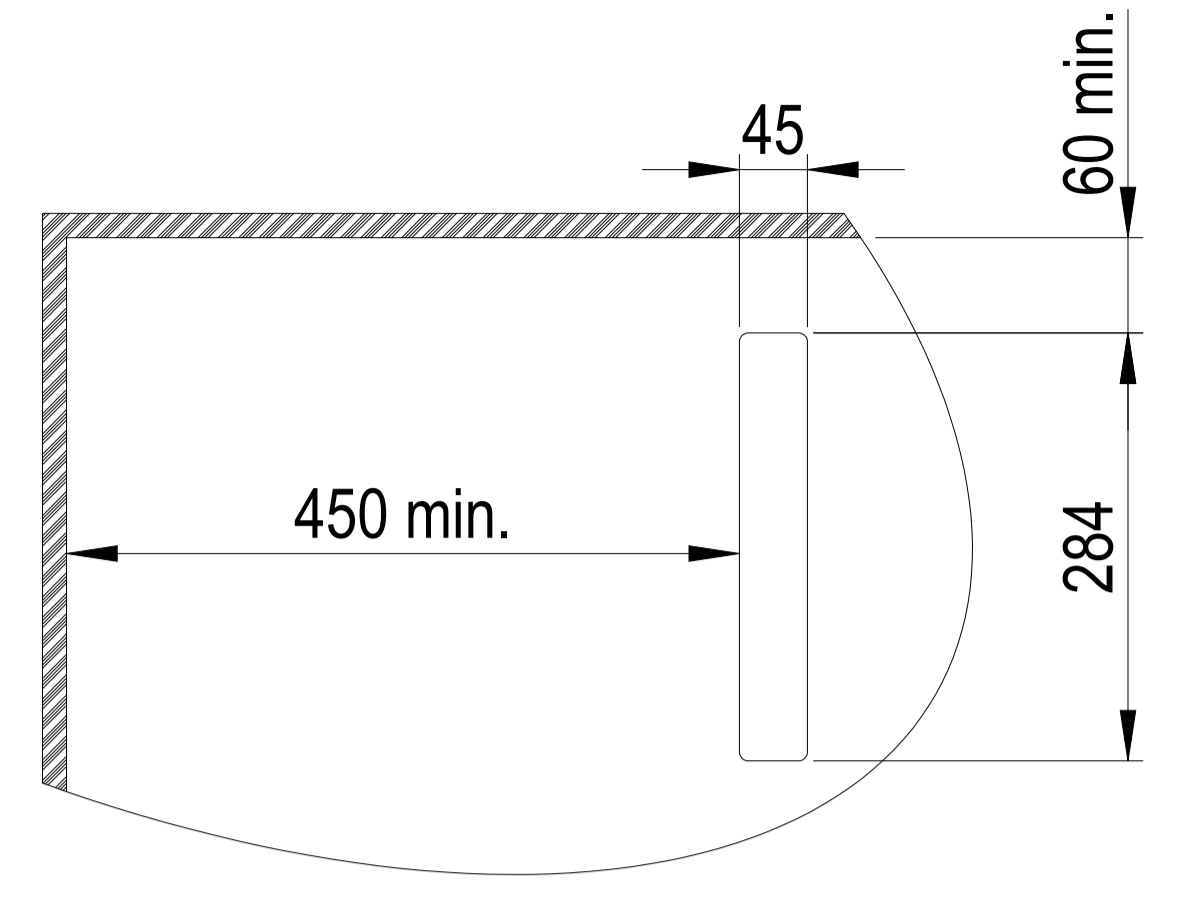
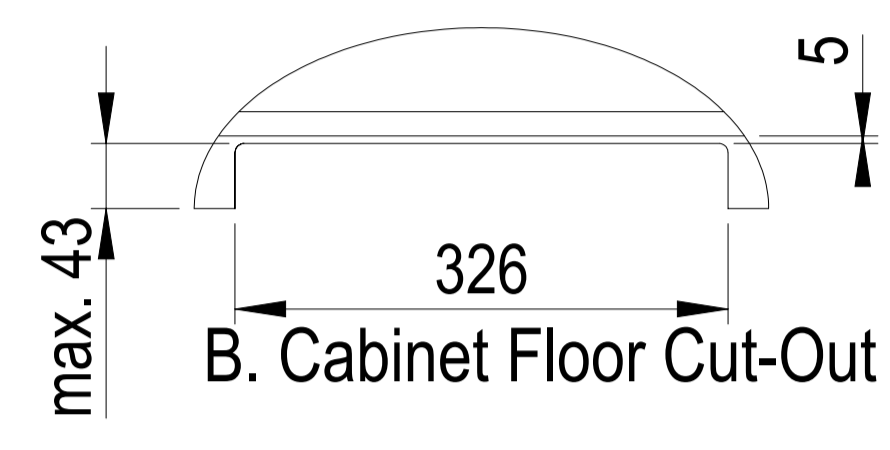
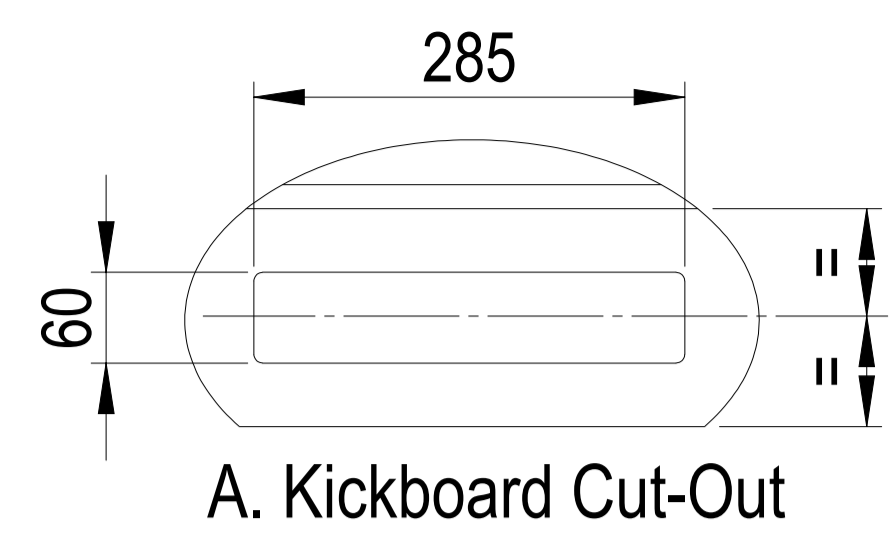
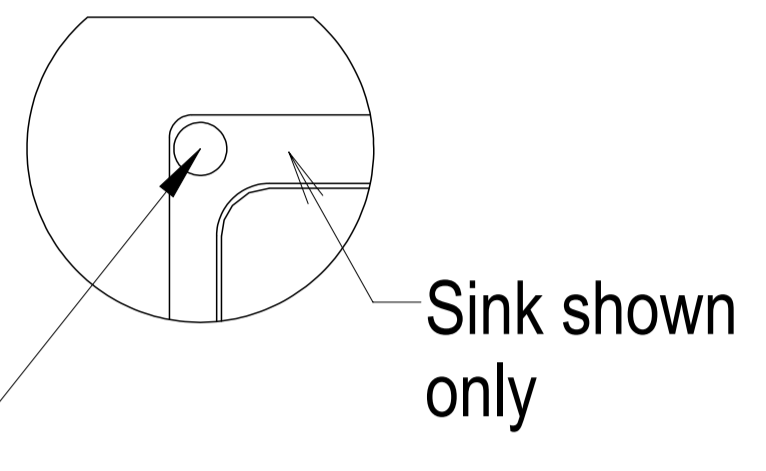


Position the Tap such that it dispenses into the sink bowl with ample clearance for a cup or a tea pot



Ø50 Hole HydroTap® Celsius AIO Tap

Sink shown only

See Detail B

See Detail C

See Detail A

C. Cabinet Floor Cut-Out

B. Cabinet Floor Cut-Out

Celsius Style All In One Tap

Booster

240 - 230V, 50Hz GPO

Clearance Envelope

CO₂ Cylinder

Connector with Strainer (Feeds Base Unit)

Mains cold water isolation valve (not supplied)

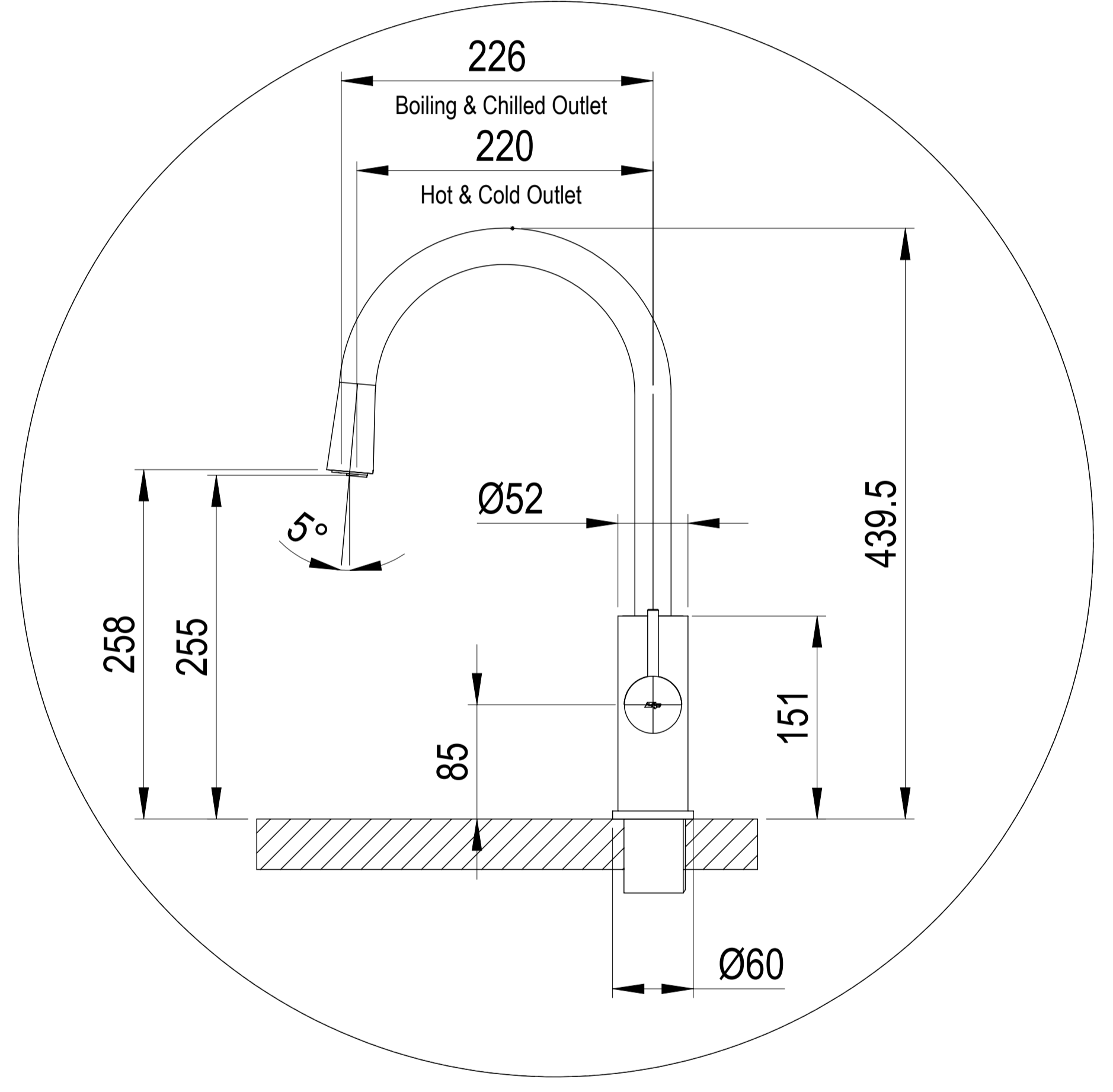
Hot water from domestic heater

IEC Connector

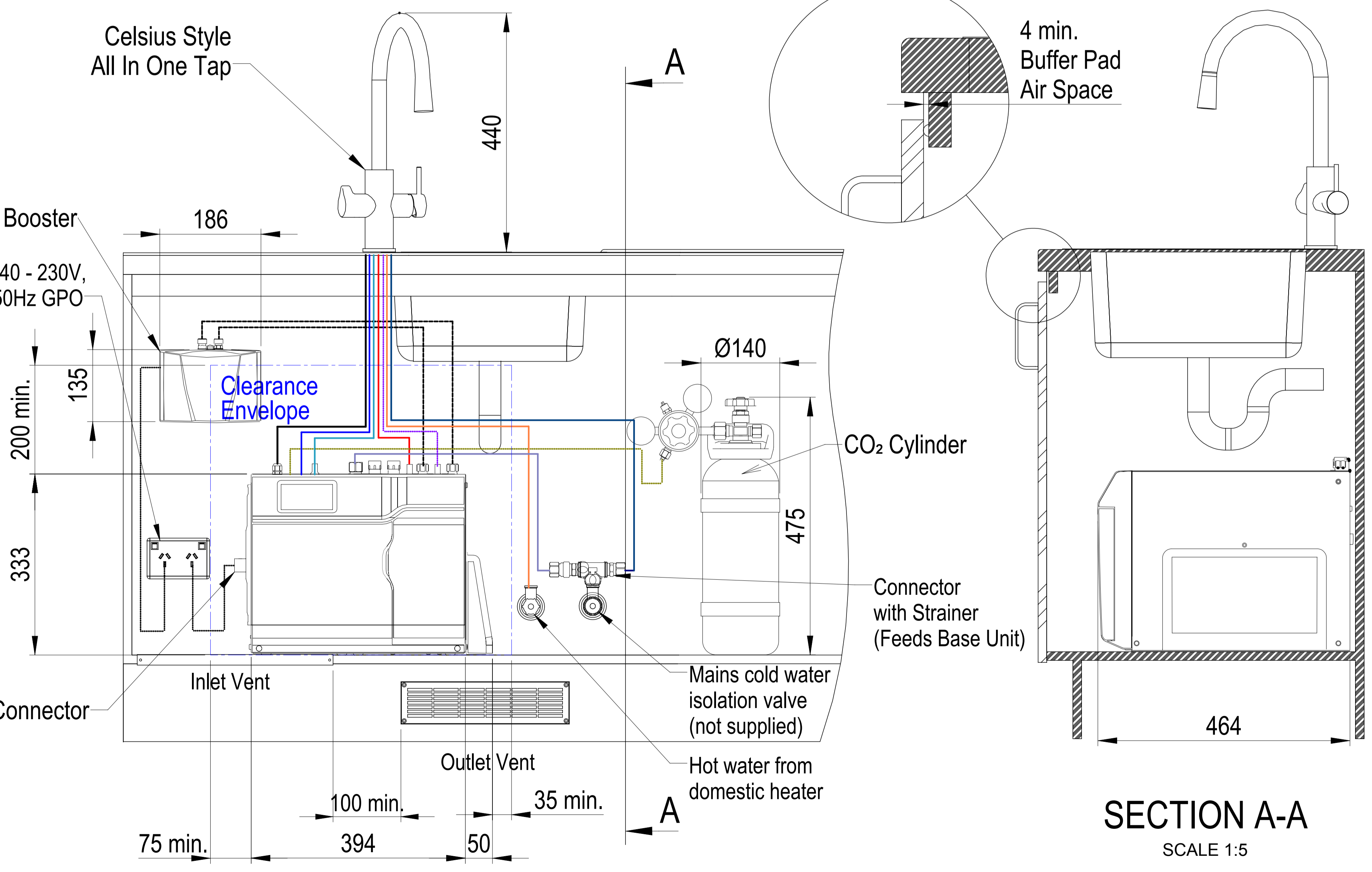
Inlet Vent

Outlet Vent

4 min. Buffer Pad Air Space



Celsius AIO Tap Profile



SECTION A-A
 SCALE 1:5

<p>This drawing is CONFIDENTIAL and is supplied on the express condition that it shall not be LOANED, COPIED or DISCLOSED to any other third party or used for any purpose without the written consent of Zip Industries Pty Ltd. This document is printed in hardcopy form. It is for INFORMATION ONLY and therefore not subject to loading controls. For the current revision ALWAYS refer to the MATRICE document form as stated in the top left hand corner of this sheet. © copyright Zip Industries Pty Ltd. 17/04/2018</p>		<p>Zip Industries Zip</p>	
<p>Manufacturing Instructions</p>		<p>Approved by: Unapproved on 10/12/2001</p>	
<p>Make of Buy:</p>		<p>Checked by: Unchecked on 10/12/2001</p>	
<p>Manufacturing Route:</p>		<p>Updated by: on</p>	
<p>Raw material:</p>		<p>Material:</p>	
<p>Remove all sharp edges. This drawing ONLY details information which cannot be ascertained from the 3D geometry of the part(s) attached. Model & dimensions are AFTER all finishing operations.</p>		<p>Project:</p>	
<p>Comments:</p>		<p>Created by & on</p>	
<p>Volume (mm):</p>		<p>Model:</p>	
<p>Area (mm):</p>		<p>Drawing:</p>	
<p>Mass (g):</p>		<p>Created by & on</p>	
<p>Density (g/mm):</p>		<p>Engineer</p>	
<p>Scale: 1:1</p>		<p>on 17/04/2018</p>	
<p>Sheet: 1 of 1</p>		<p>Rev</p>	
<p>Status:</p>		<p>00</p>	
<p>Drawing Property:</p>		<p>Size</p>	
<p>Config Property:</p>		<p>A1</p>	
<p>Custom Property:</p>		<p></p>	