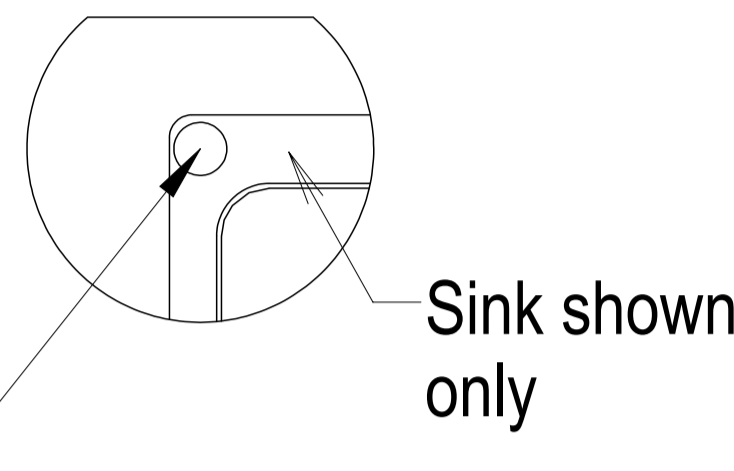
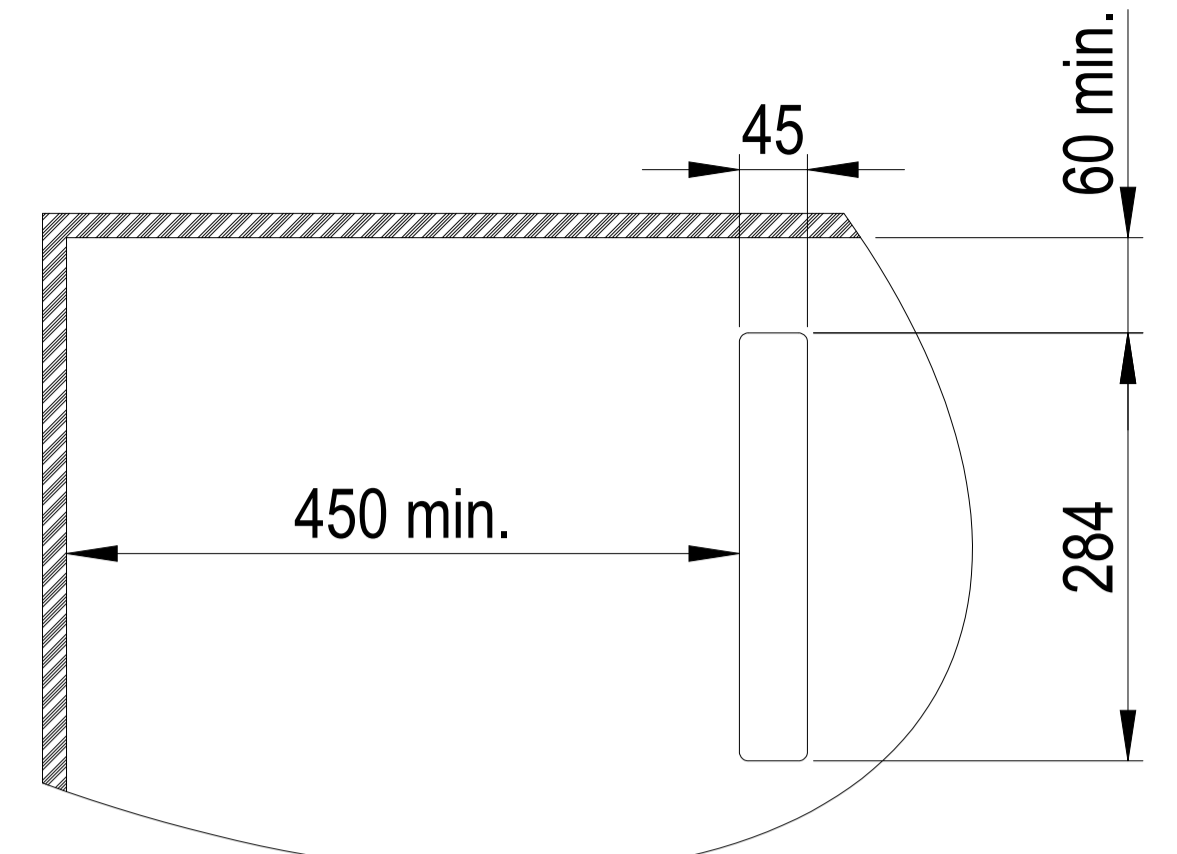
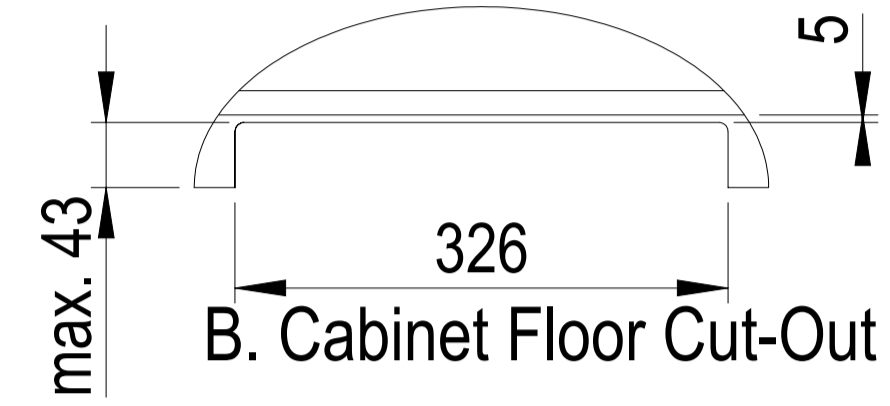
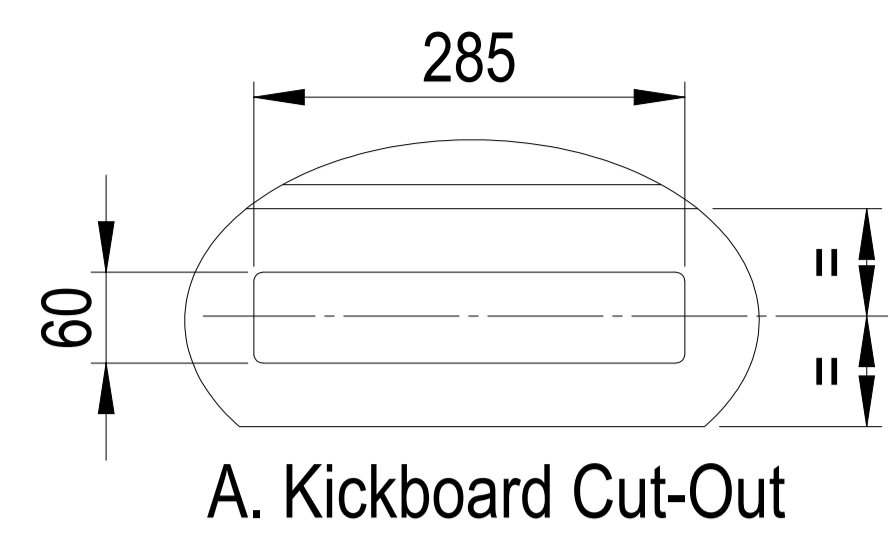


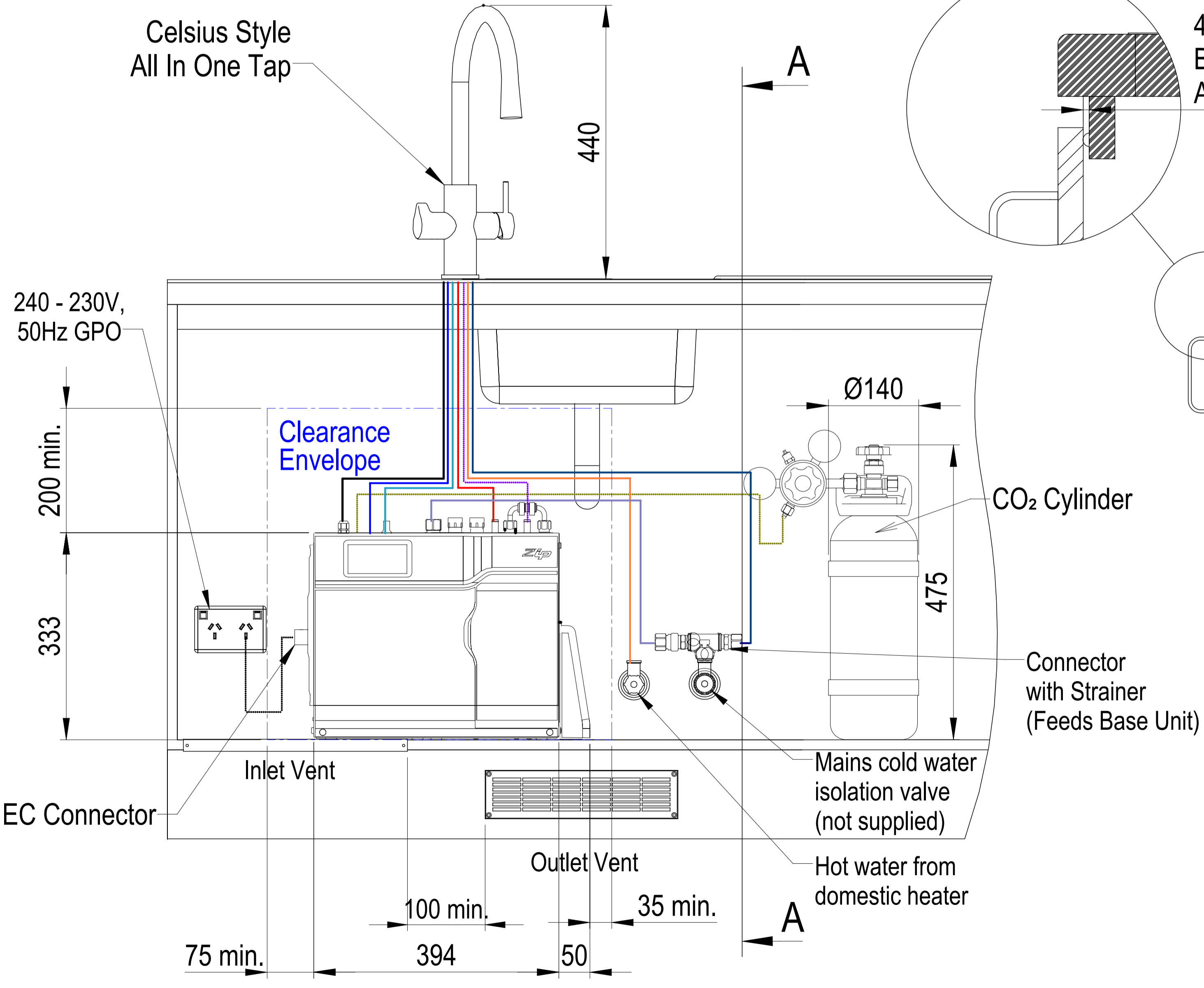
Position the Tap such that it dispenses into the sink bowl with ample clearance for a cup or a tea pot



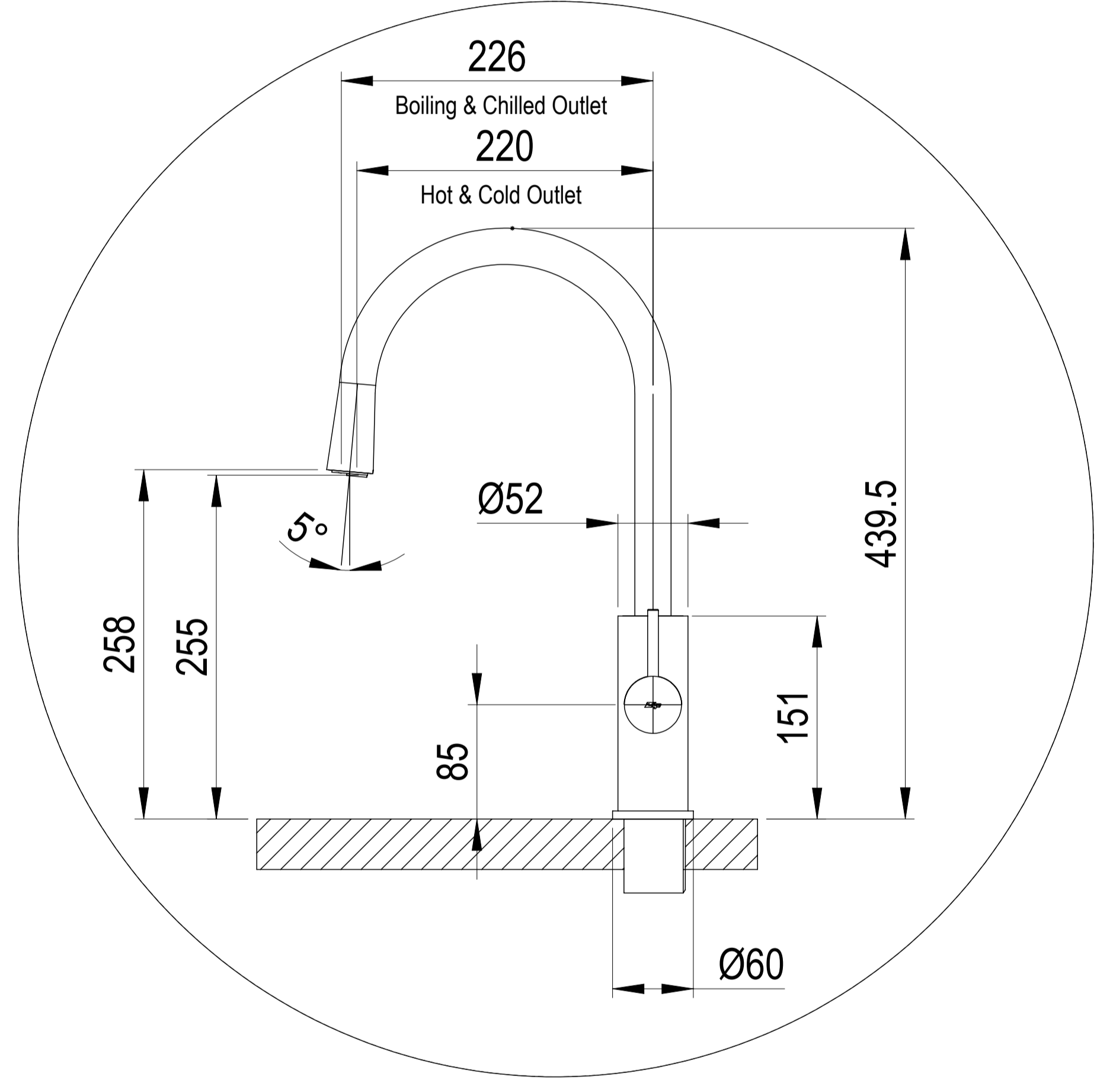
Ø50 Hole HydroTap® Celsius AIO Tap



C. Cabinet Floor Cut-Out



SECTION A-A
SCALE 1:5



Celsius AIO Tap Profile

<p>This drawing is CONFIDENTIAL and is issued on the express condition that it shall not be LOANED, COPIED or DISCLOSED to any other third party or used for any purpose without the written consent of Zip Industries Pty Ltd. This document is printed in hardcopy form. It is for INFORMATION ONLY and therefore not subject to loading controls. For the current revision ALWAYS refer to the MATRICE electronic form as stated in the top left hand corner of this sheet. © copyright Zip Industries Pty Ltd. 17/04/2018</p>		<p>Zip Industries Zip</p>	
<p>Manufacturing Instructions</p>		<p>Approved by: Unapproved on 10/12/2011</p>	
<p>Make of Buy: _____</p>		<p>Checked by: Unchecked on 10/12/2011</p>	
<p>Manufacturing Route: _____</p>		<p>Updated by: on _____</p>	
<p>Raw material: _____</p>		<p>Project: _____</p>	
<p>Remove all sharp edges. This drawing ONLY details information which cannot be ascertained from the 2D geometry of the part(s) attached. Model & dimensions are AFTER all finishing operations.</p>		<p>Model: _____</p>	
<p>Comments: _____</p>		<p>Created by & on _____</p>	
<p>Volume: _____</p>		<p>Model: _____</p>	
<p>Area: _____</p>		<p>Created by & on _____</p>	
<p>Mass: _____</p>		<p>Model: _____</p>	
<p>Density: _____</p>		<p>Created by & on _____</p>	
<p>Scale: 1:1</p>		<p>Model: _____</p>	
<p>Sheet: 1 of 1</p>		<p>Created by & on _____</p>	
<p>Status: _____</p>		<p>Model: _____</p>	
<p>Drawing Property: _____</p>		<p>Created by & on _____</p>	
<p>Config Property: _____</p>		<p>Model: _____</p>	
<p>Custom Property: _____</p>		<p>Created by & on _____</p>	