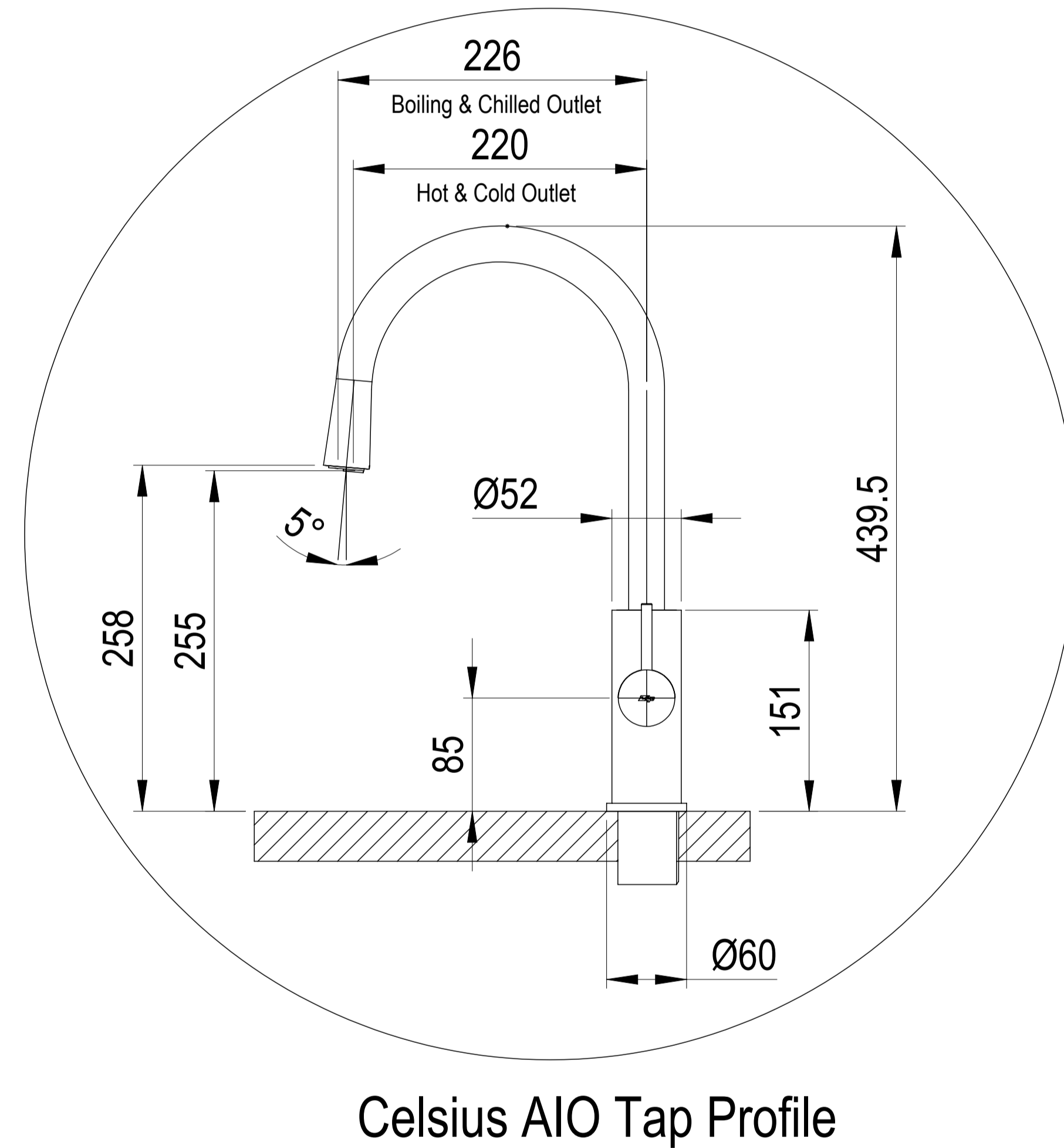
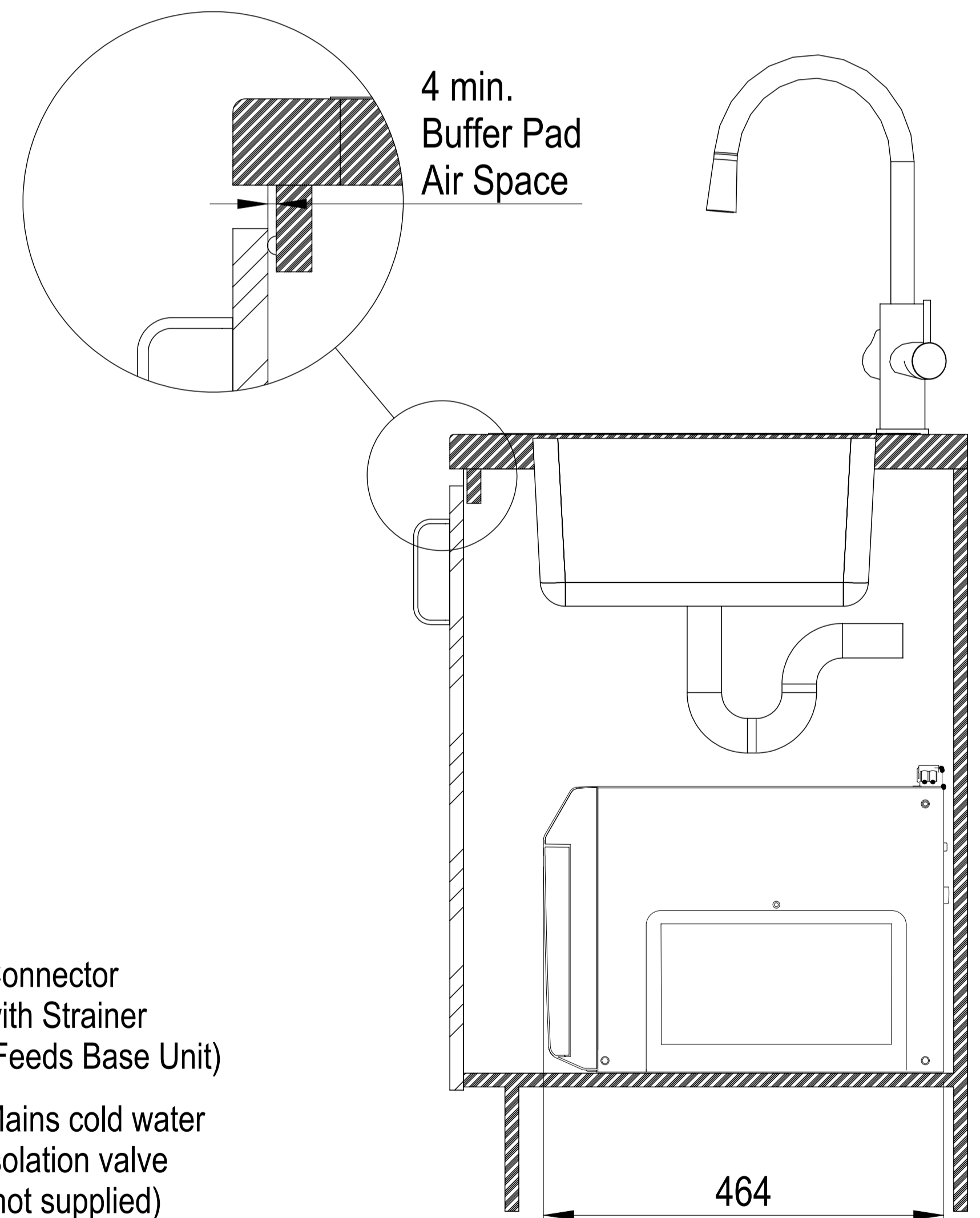
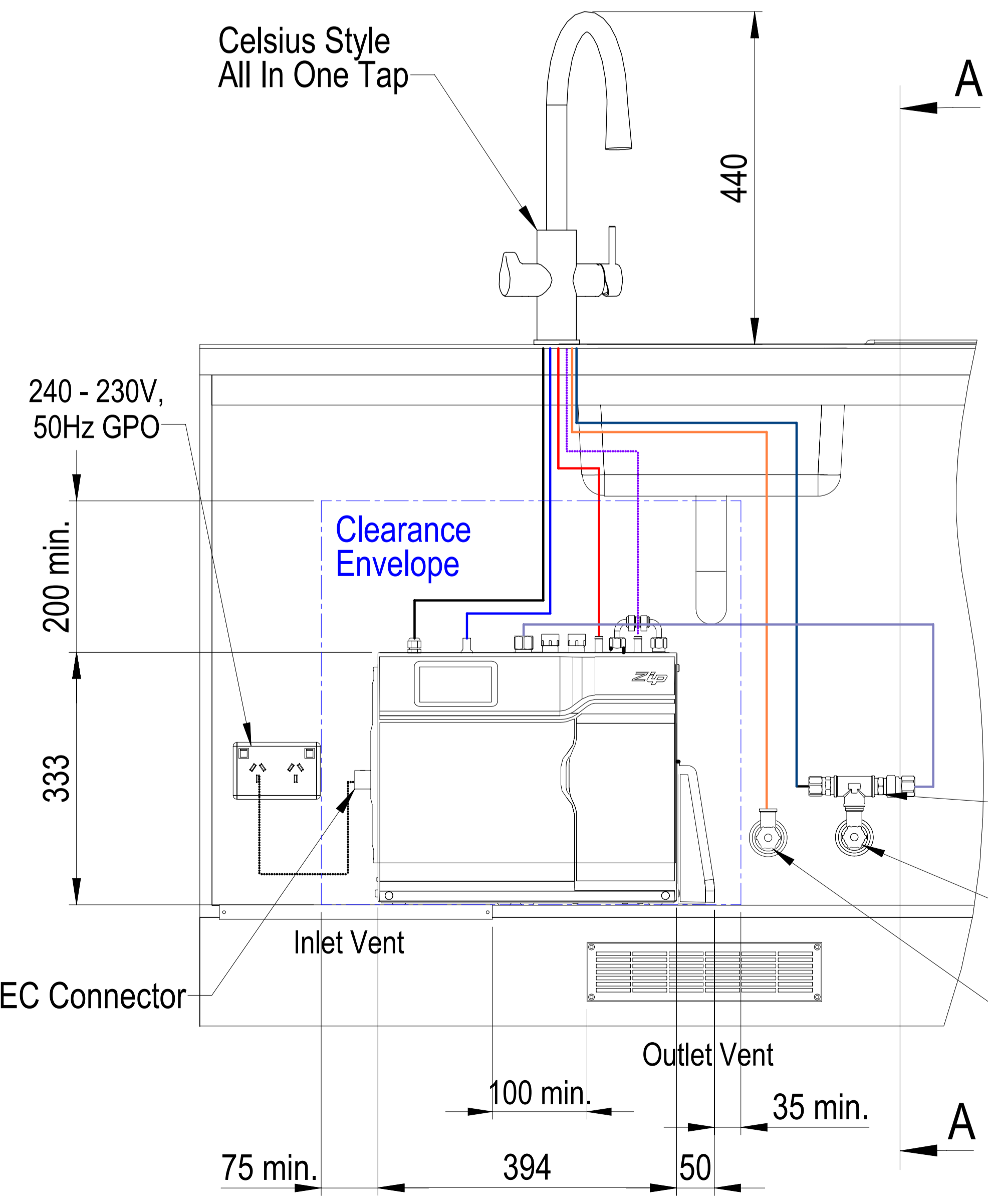
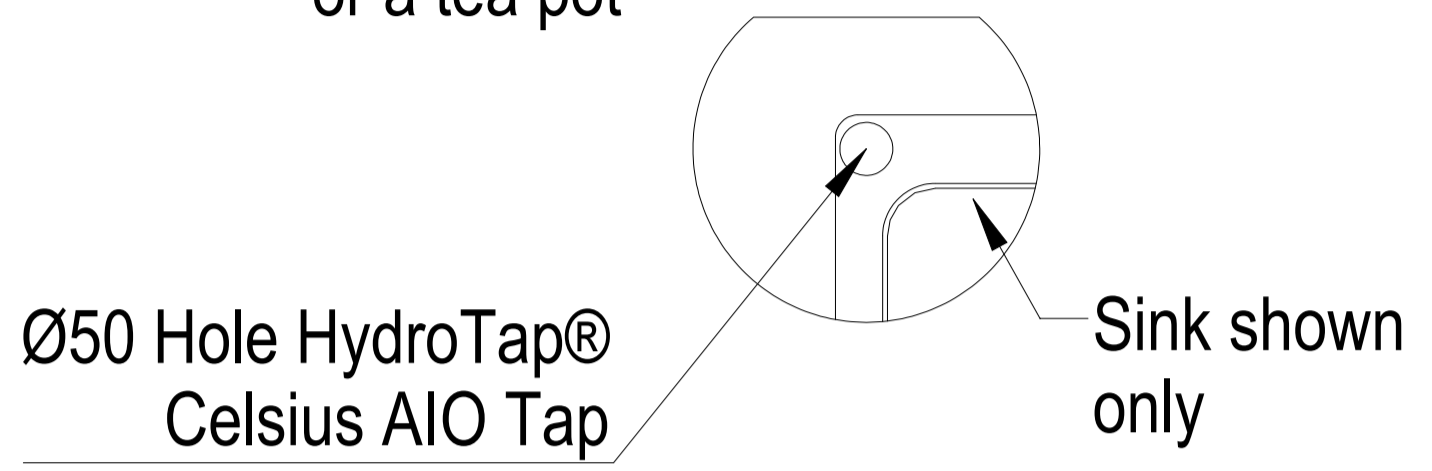


Position the Tap such that it dispenses into the sink bowl with ample clearance for a cup or a tea pot



This drawing is CONFIDENTIAL and is supplied on the express condition that it shall not be LOANED, COPIED or DISCLOSED to any other third party or used for any purpose without the written consent of Zip Industries Pty Ltd. This document is printed in hardcopy form. It is for INFORMATION ONLY and therefore not subject to updating controls. For the current revision ALWAYS refer to the MATRICE document form as stated in the top left hand corner of this sheet. © copyright Zip Industries Pty Ltd. 17/04/2018		Zip Industries	
Manufacturing Instructions		Approved by: Unapproved on 10/12/2011	
Make of Buy:		Checked by: Unchecked on 10/12/2011	
Manufacturing Route:		Updated by: on	
Raw material:		Project:	
Remove all sharp edges. This drawing ONLY details information which cannot be ascertained from the 3D geometry of the part(s) attached. Model & dimensions are AFTER all finishing operations.		Model:	
Comments:		Drawing:	
Volume (mm):		Created by & on:	
Mass (g):		Checked by:	
Density (mm):		Date:	
Scale: 1:1		Sheet: 1 of 1	
Status:		Drawing Property:	
Recyclable?:		Config Property:	
Handset?:		Custom Property:	
Description: Celsius AIO Tap BC 160/175 Mains Zip HydroTap G4		Project:	
Model:		Created by & on:	
BK002_5061AU0B02N1C		Checked by:	
Date:		Date:	
Size:		Date:	
A1		Date:	