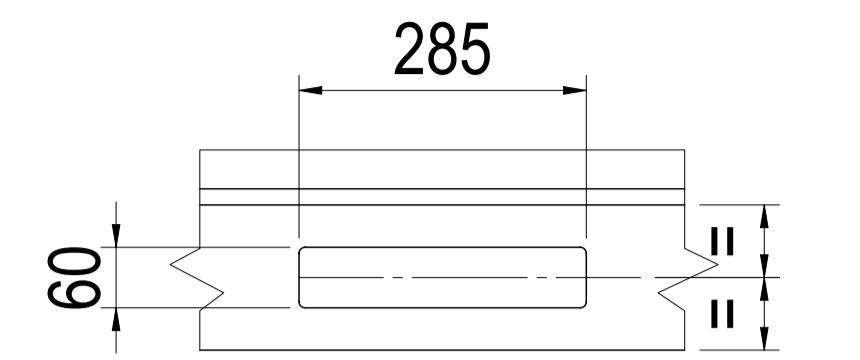
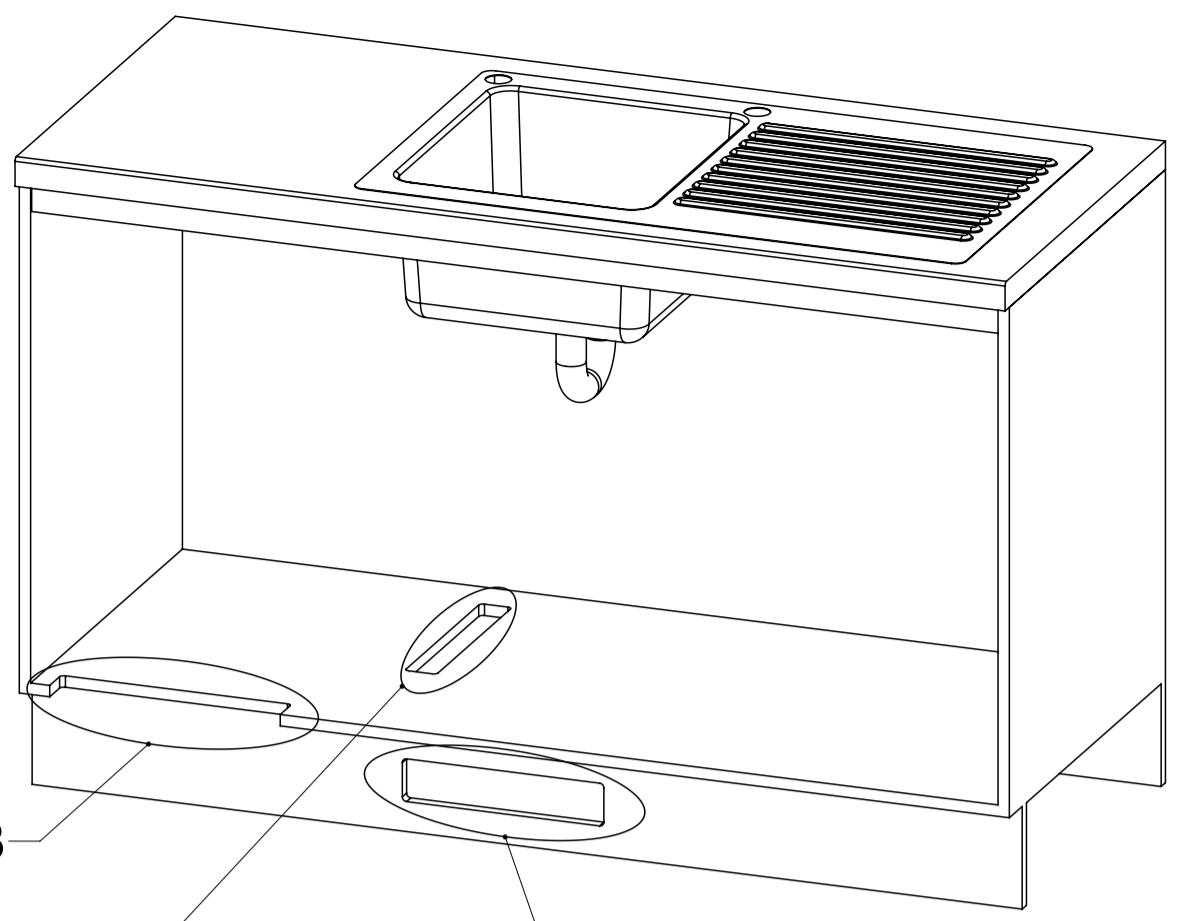
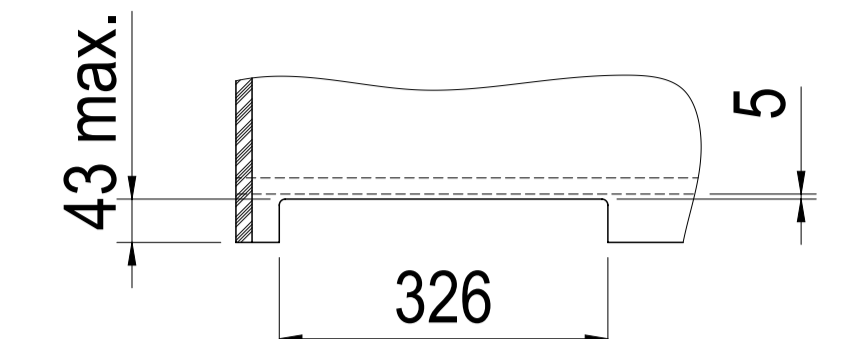


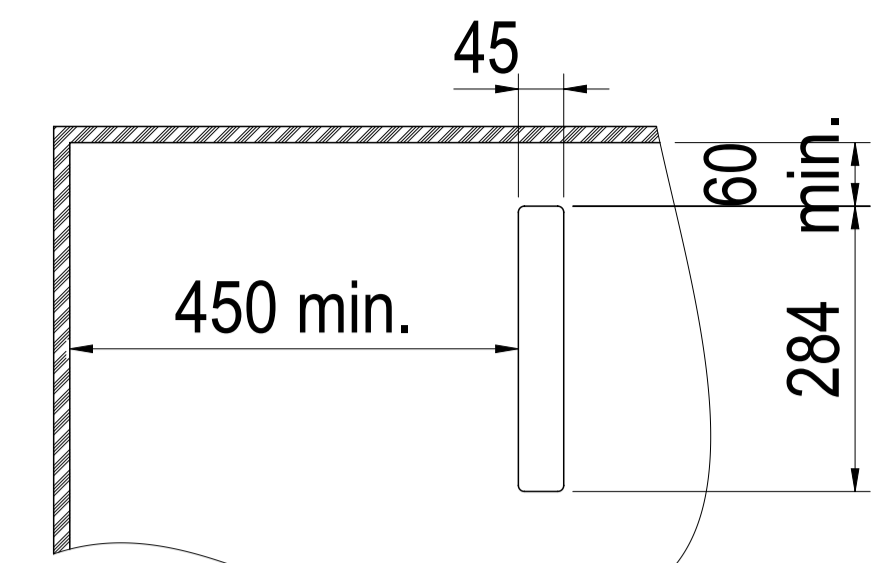
Item	Part	Rev	Description	Status	Qty	Make or Buy?
3	800221	C	Air Inlet Grill CFF	Production	1	Buy
5	800220	C	Kickboard Fan Grill	Production	1	Buy
6	27200	A	Zip HydroTap Booster MKXZ 2.2kW 15A 230V	Production	1	Buy
8	84451	A	Tap 1/2" BSP Female (Brass)	Production	1	Buy
9	87722	B	Asy - Restrict-A-Flow with ø2.5 Hole	Production	1	Buy
10	802987	00	HydroTap Cube Tap BNC	Design	1	Buy
11	802929	A	Mixer Tap Vertical Cube Bright Chrome (ø1" 3/4" 5/8")	Production	1	Buy
12	5361AU	00	HydroTap Gen IV BCHA240/175 - Bottom & Chilled 4in w/ Booster	Prototype	1	Buy



DETAIL A: Kickboard Cut-Out  
SCALE 1 : 7.5



DETAIL B: Cabinet Floor Cut-Out  
SCALE 1 : 7.5

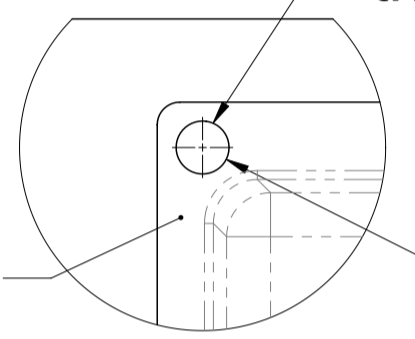


DETAIL C: Cabinet Floor Cut-Out  
SCALE 1 : 7.5

See Detail B  
See Detail C  
See Detail A

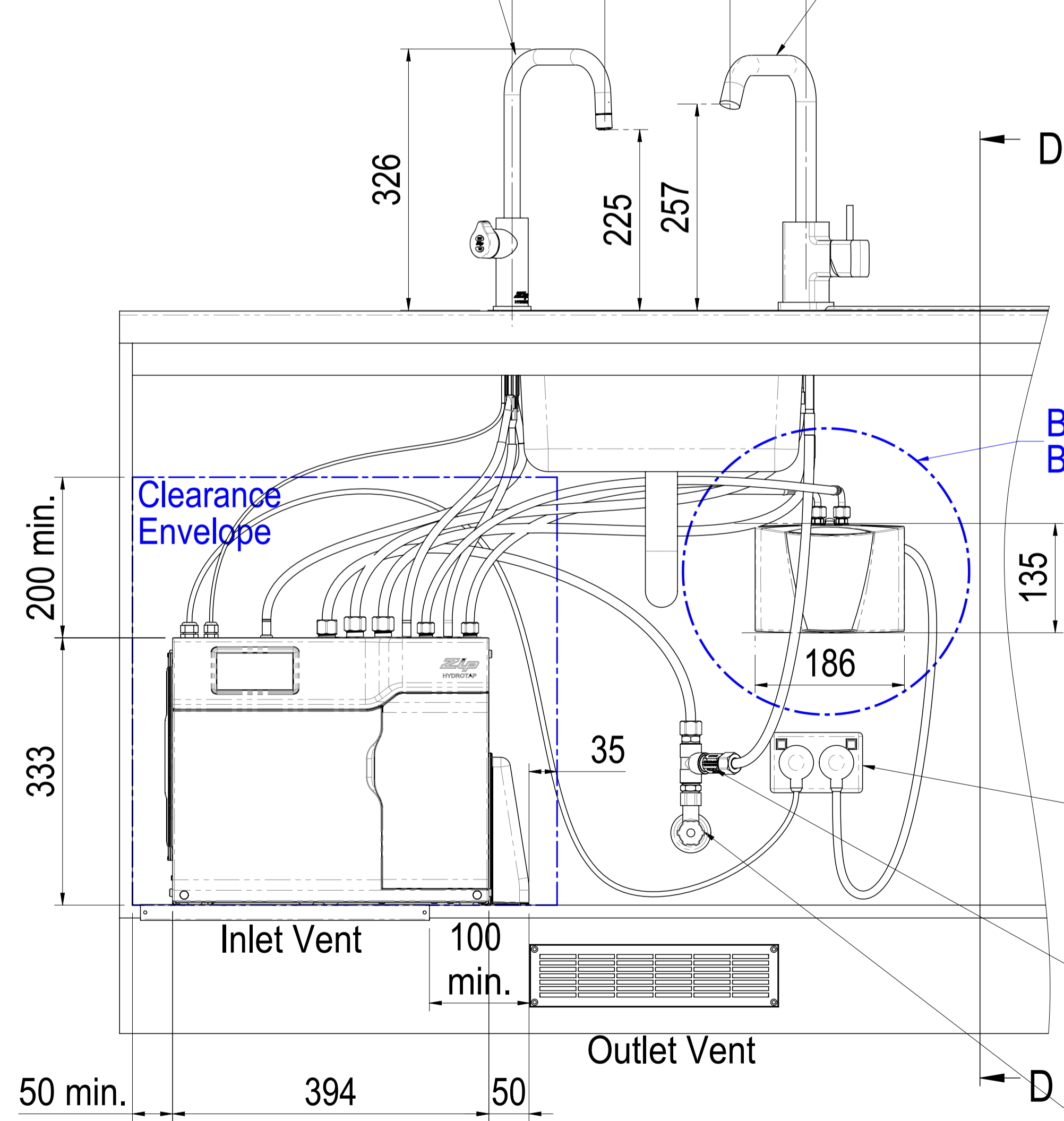
Ventilation Details

Position the Tap such that it dispenses into the sink bowl with ample clearance for a cup or a tea pot. Alternatively, the Tap could be mounted away from the sink using a Zip Font available as an accessory.

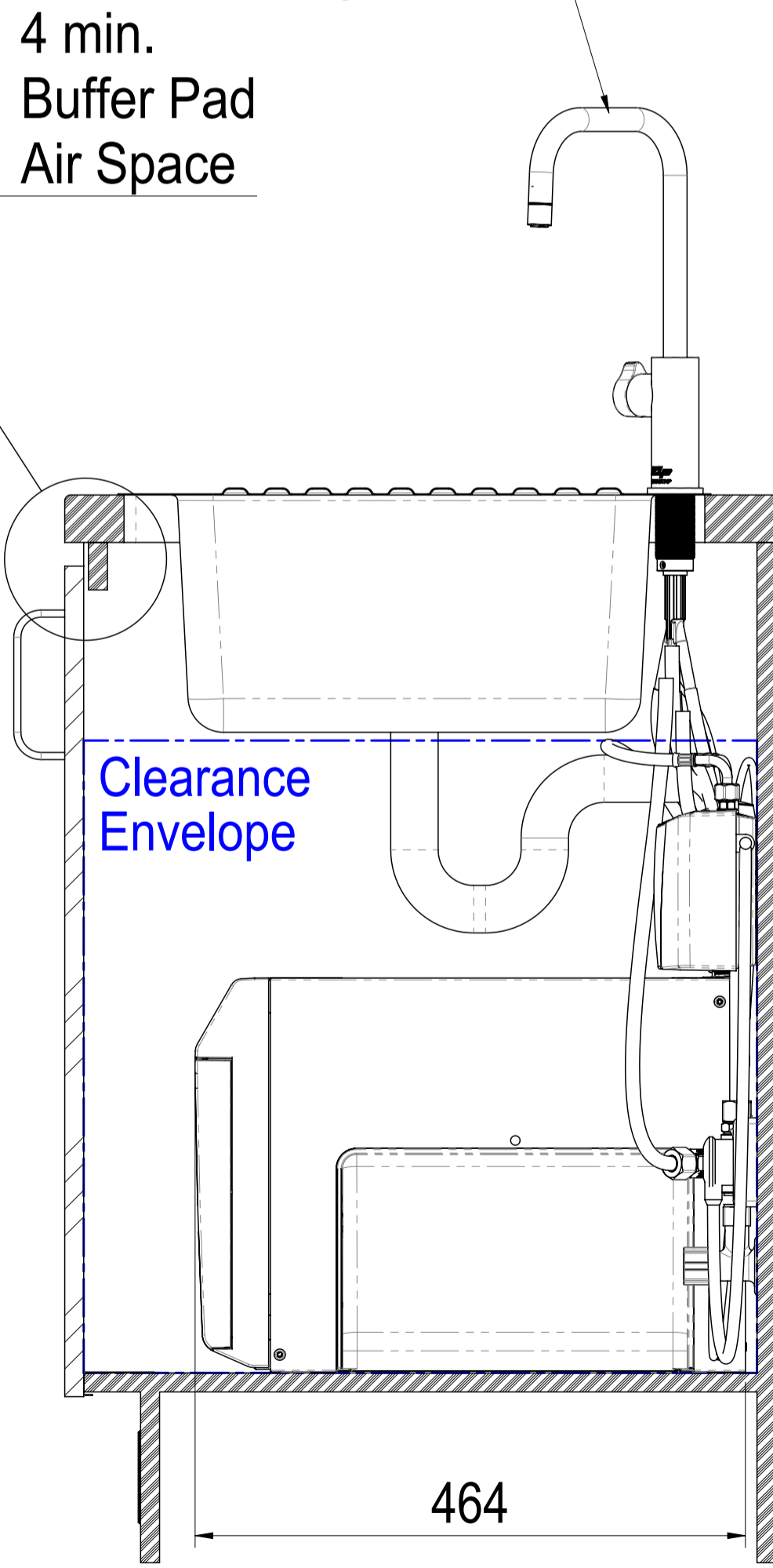


Sink shown only  
Ø 35 Hole for HydroTap Cube Tap

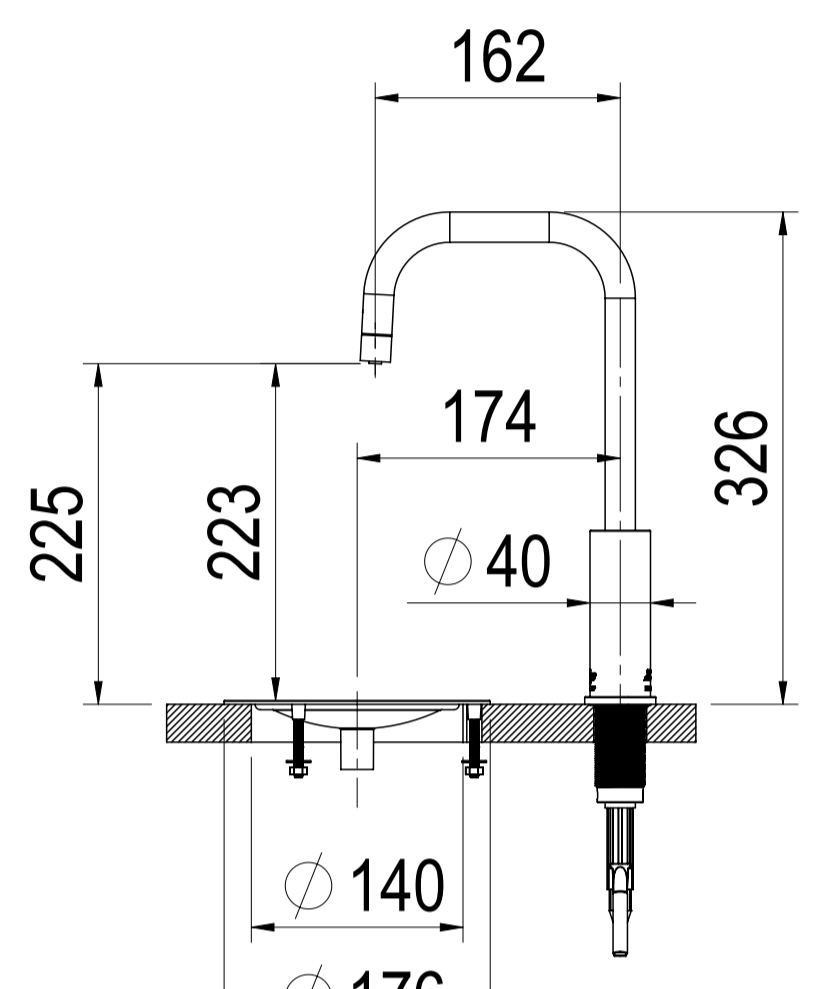
HydroTap Cube Tap (162mm)  
Cube Mixer Tap (190mm)



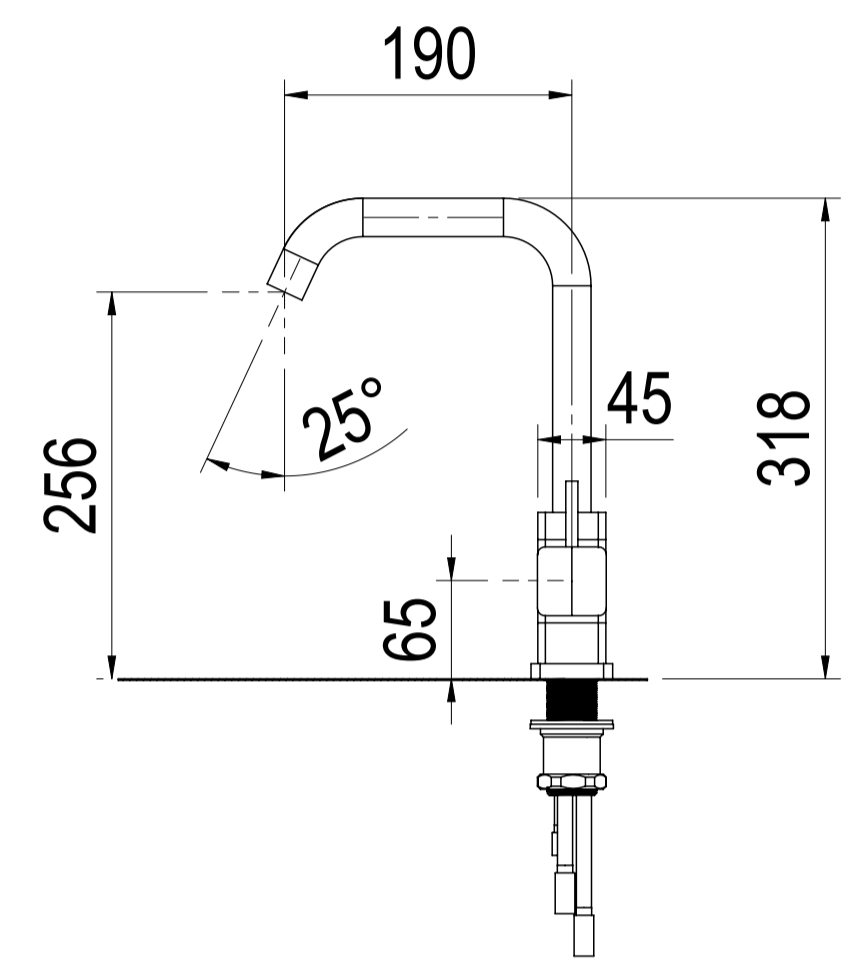
Only HydroTap Cube Tap shown



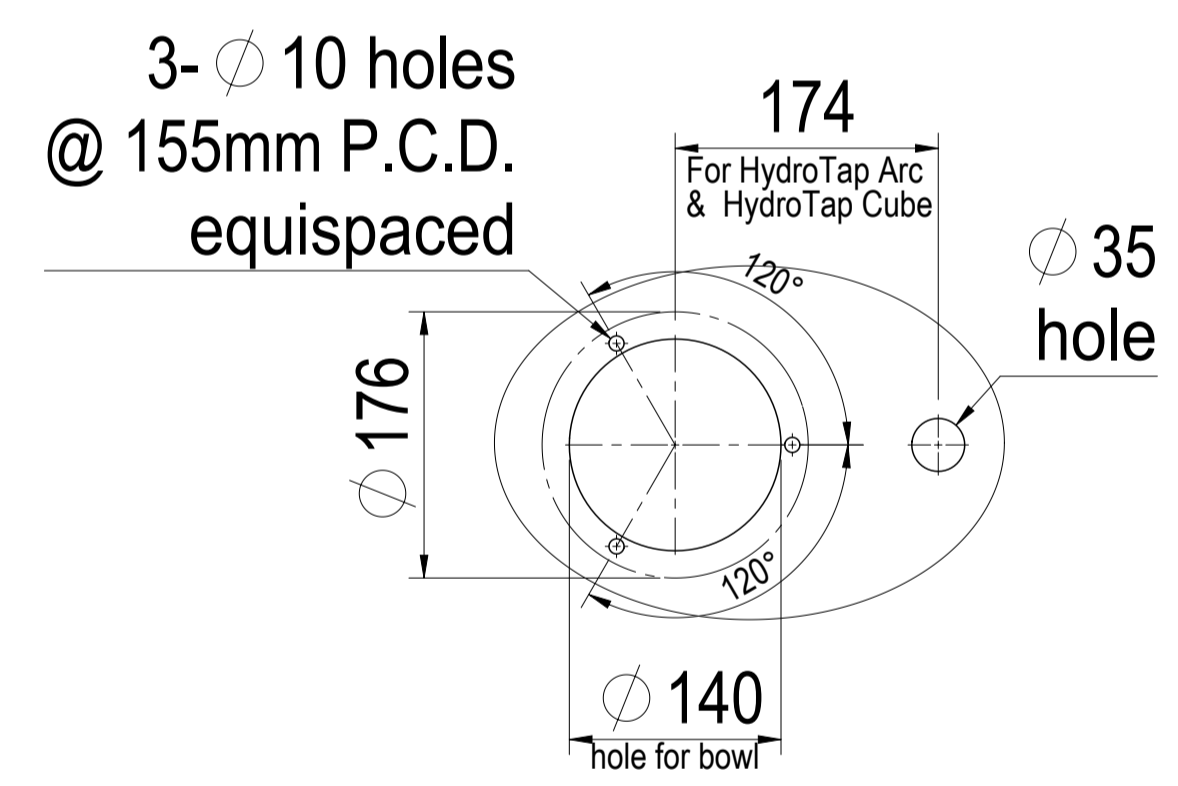
SECTION D-D  
SCALE 1 : 5



HydroTap Cube with Font

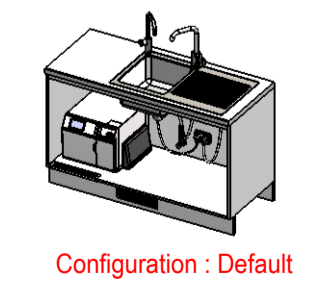


Cube Mixer Tap  
Provide ø35mm hole on sink



Cutting Detail for HydroTap Cube with Font

This set-up is applicable to:  
 4in1 BCHA160/125 (Excluding Booster)  
 HT3722: 5260AU0U0UN1C w/ HydroTap Cube Tap + Cube Mixer Tap  
 4in1 BCHA160/175 (Excluding Booster)  
 HT3723: 5261AU0U0UN1C w/ HydroTap Cube Tap + Cube Mixer Tap  
 4in1 BCHA240/175 (With Booster)  
 HT3724: 5361AU0U0UN1C w/ HydroTap Cube Tap + Cube Mixer Tap



Configuration : Default

<p>This drawing is CONFIDENTIAL, and is supplied on the express condition that it shall not be LOANED, COPIED or DISCLOSED to any other third party or used for any purpose without the written consent of Zip Industries Pty Ltd. This document is printed in hardcopy form. It is for INFORMATION ONLY and therefore not subject to loading controls. For the current revision ALWAYS refer to the MATRICE document form as stated in the top left hand corner of this sheet. © copyright Zip Industries Pty Ltd. 2014/2015</p>		<p>Zip Industries <b>Zip</b></p>	
<p>Make or Buy: Buy          Manufacturing Route: Manufacturing Process          Raw material: See Components</p>	<p>Approved by: Unapproved on 10/12/2001          Checked by: Unchecked on 10/10/2001          Issued by: edgar on 7/02/2015 1:31:32 PM          See Components</p>	<p>Project: HydroTap Gen IV B          Model: KL002_5361AU0U0UN1C          Drawing: KL002_5361AU0U0UN1C          Volume: 11702   Area: 178770.1   Mass: 104409.2   Density: 1.1   Scale: 1:1</p>	<p>Configuration: Default          Created by &amp; on: EdgarG on 4/05/2011          Edged: 59062015          Size: A1</p>
<p>Remove all sharp edges. This drawing ONLY details information which cannot be ascertained from the 3D geometry of the part(s) attached. Model &amp; dimensions are AFTER all finishing operations.</p>	<p>Finish: Edged on 59062015</p>	<p>Derived from: New</p>	<p>Rev: 00          Status: Prototype          Drawing Property: Conf Property: Custom Property</p>