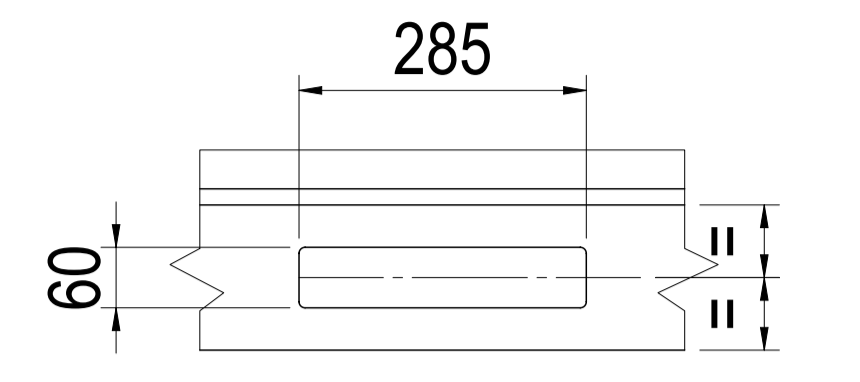
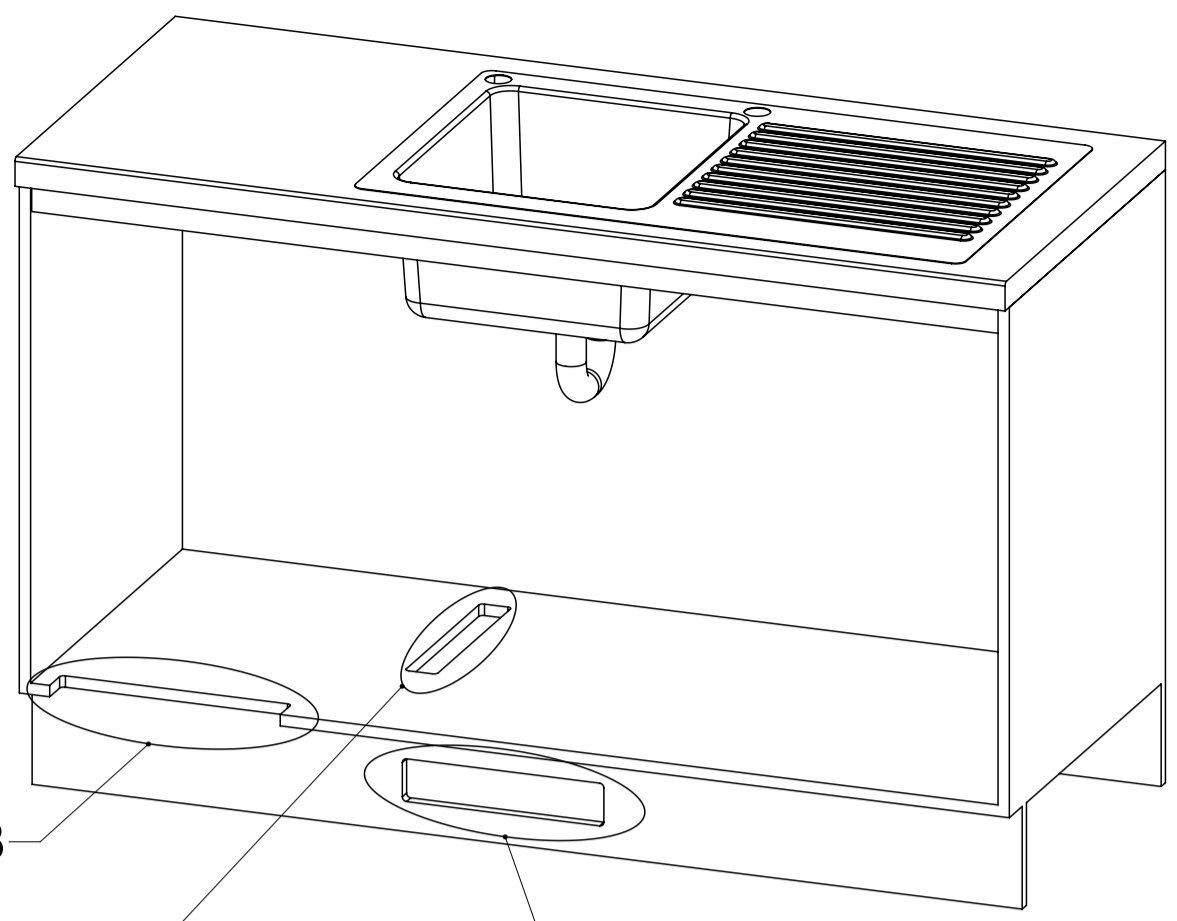
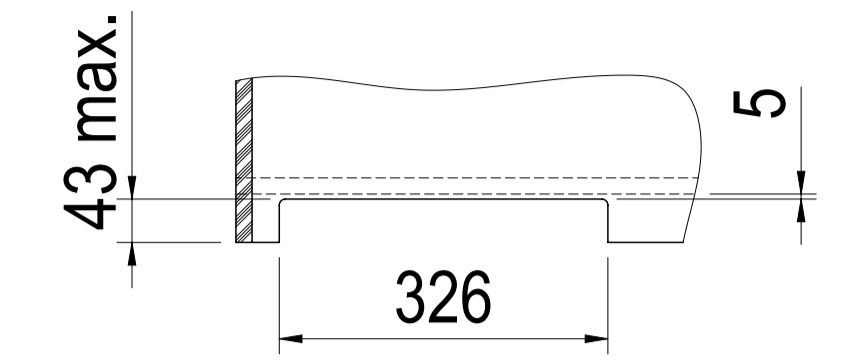


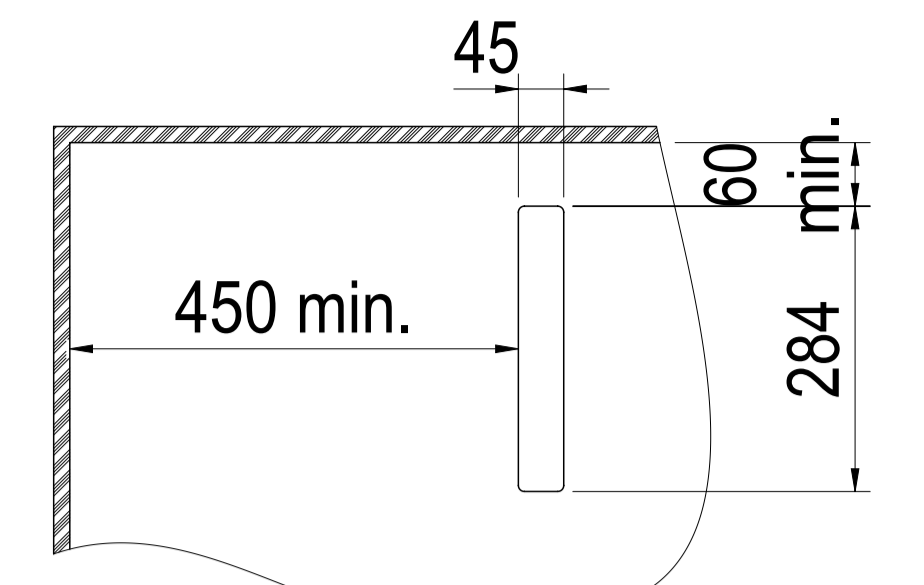
Item	Part	Rev	Description	Status	Qty	Make or Buy?
3	800221	C	Air Inlet Grill CFF	Production	1	Buy
5	800220	C	Kickboard Fan Grill	Production	1	Buy
6	27200	A	Zip HydroTap Booster MKX2 2.2kW 15A 230V	Production	1	Buy
8	84451	A	Tap 1/2" BSP Female (Brass)	Production	1	Buy
9	87722	B	Asy - Restrict-A-Flow with ø2.5 Hole	Production	1	Buy
10	802433	00	HydroTap Arc Tap	Design	1	Buy
11	5361AU	00	HydroTap Arc Tap w/ BCHA240/175-Boiling & Chilled 4in1 w/ Booster	Prototype	1	Buy
22	802698	00	Description (Config)	Design	1	Buy



DETAIL A: Kickboard Cut-Out
SCALE 1 : 7.5



DETAIL B: Cabinet Floor Cut-Out
SCALE 1 : 7.5

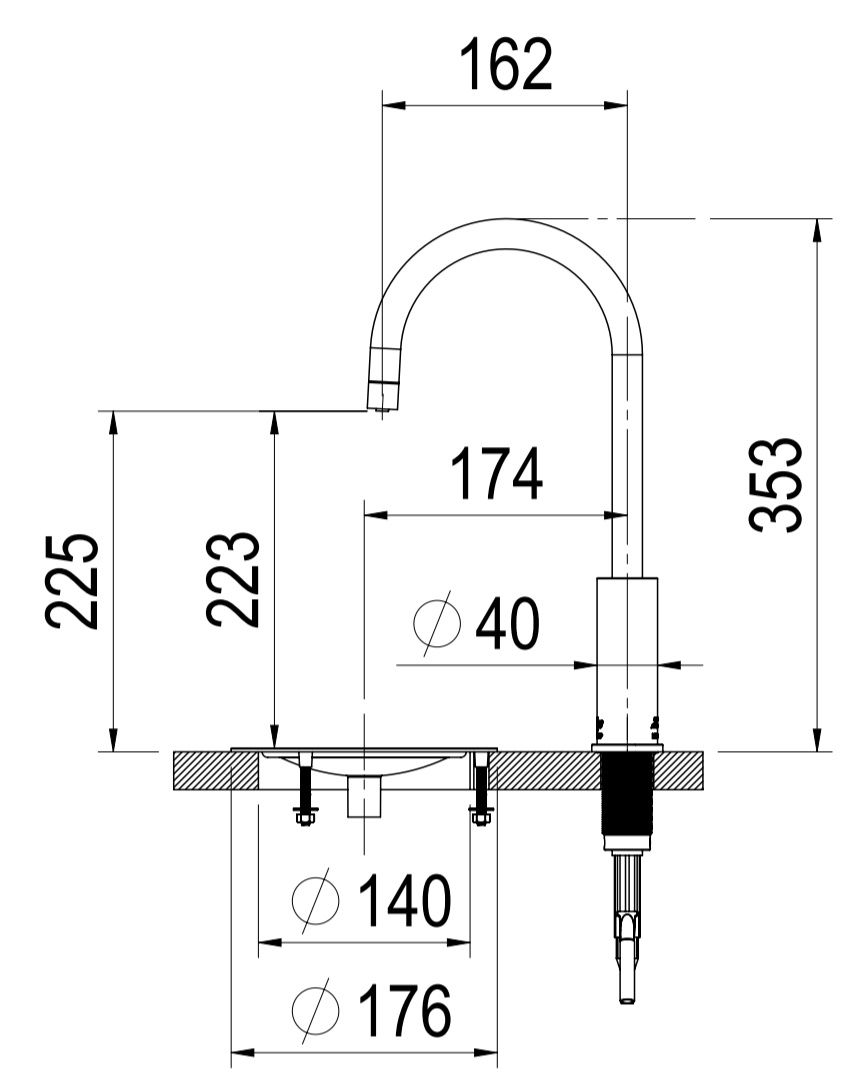
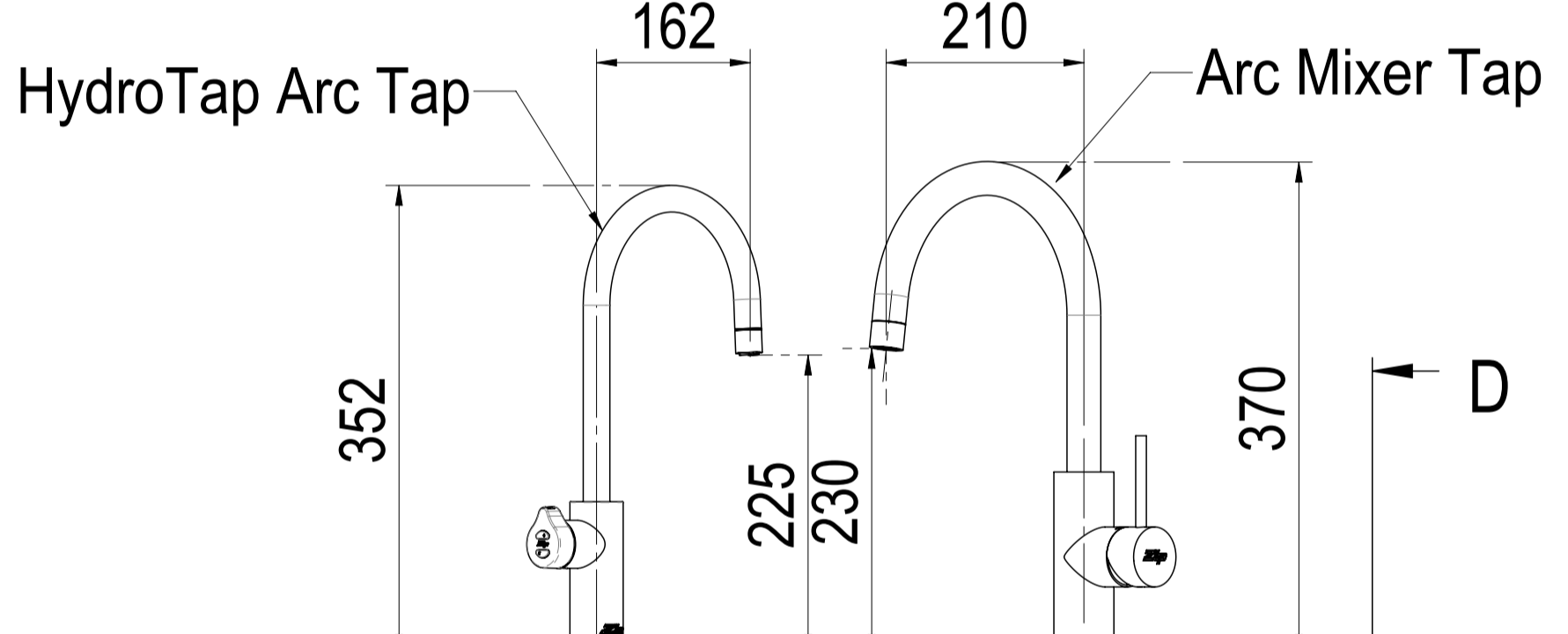
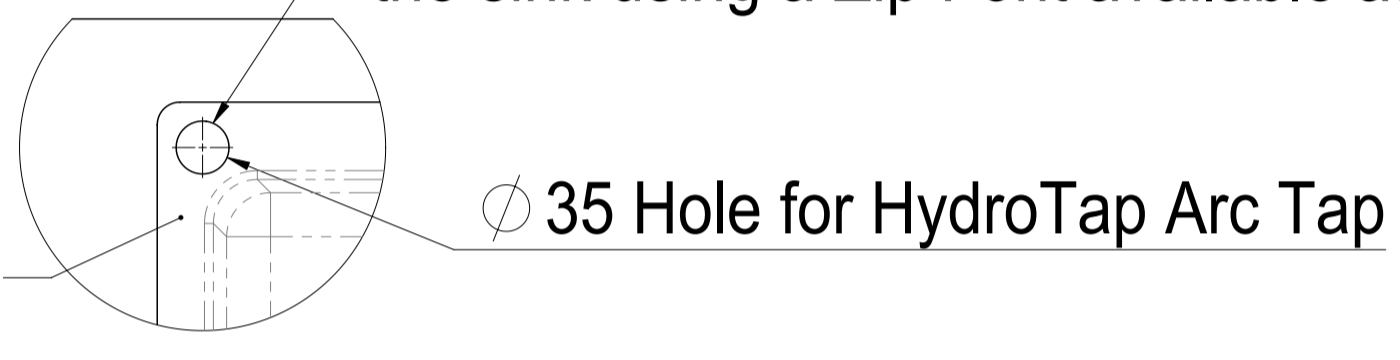


DETAIL C: Cabinet Floor Cut-Out
SCALE 1 : 7.5

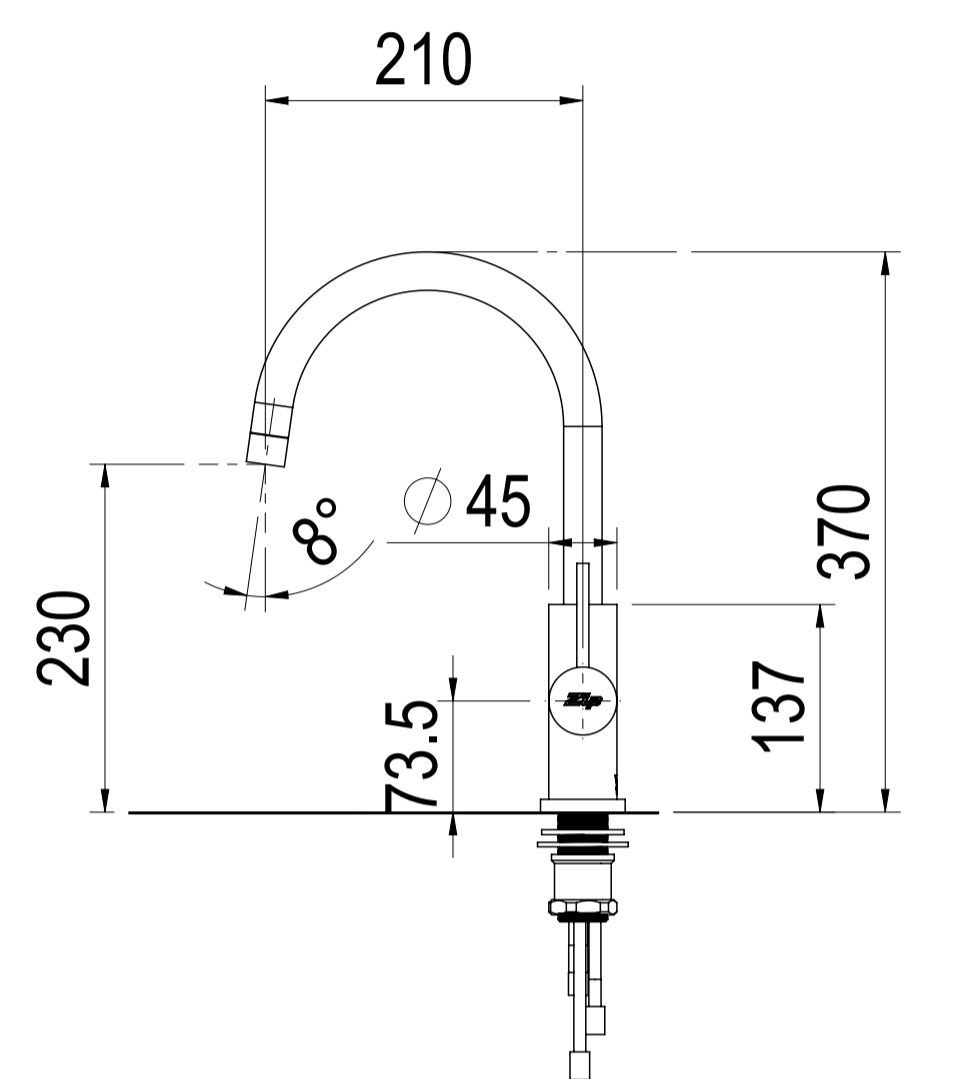
See Detail B
See Detail C
See Detail A

Ventilation Details

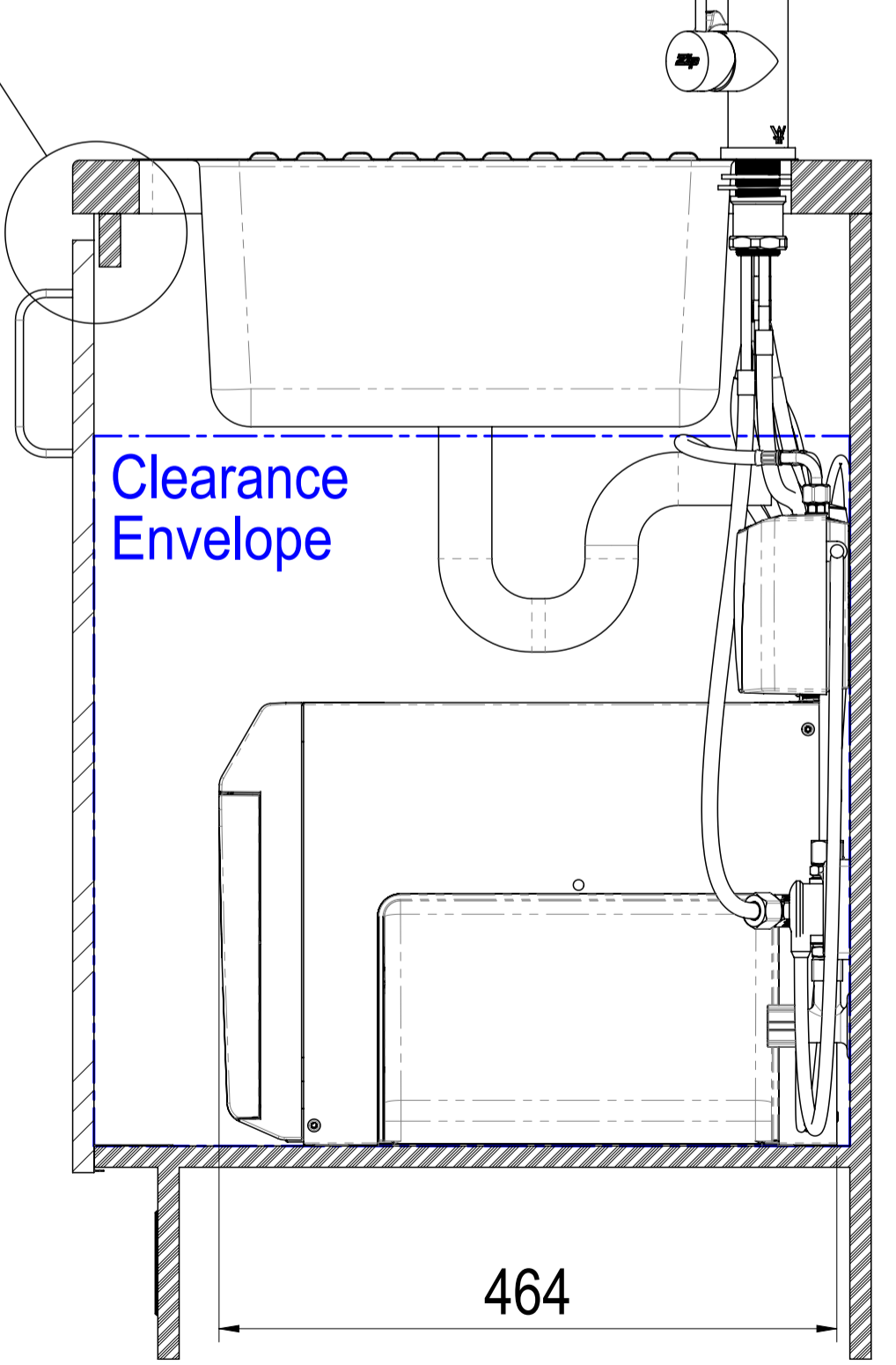
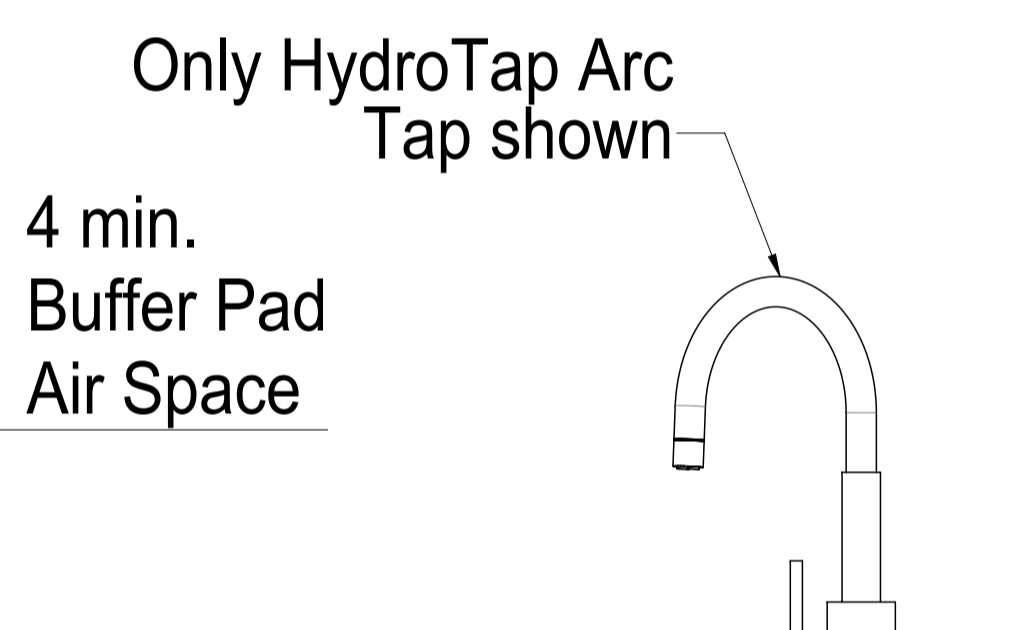
Position the Tap such that it dispenses into the sink bowl with ample clearance for a cup or a tea pot. Alternatively, the Tap could be mounted away from the sink using a Zip Font available as an accessory.



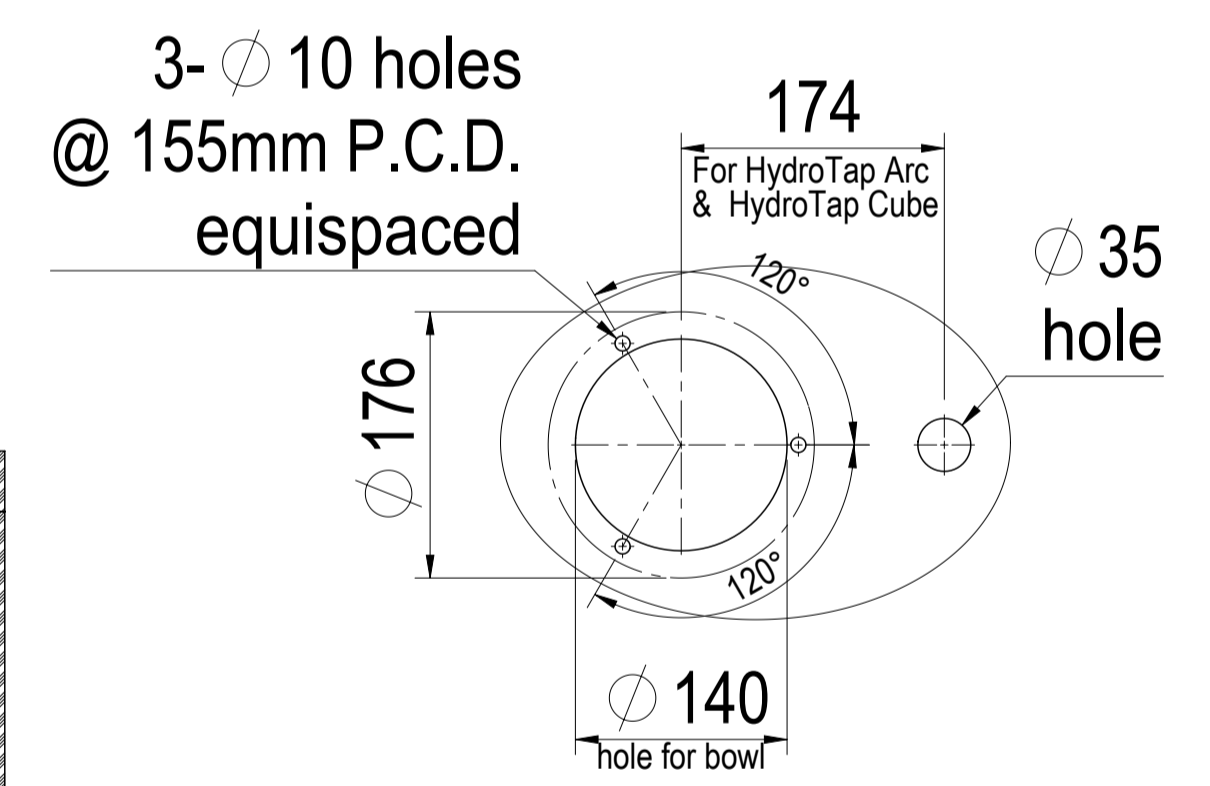
HydroTap Arc with Font



Arc Mixer Tap
Provide ø35mm hole on sink

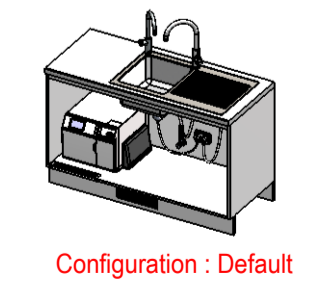


SECTION D-D
SCALE 1 : 5

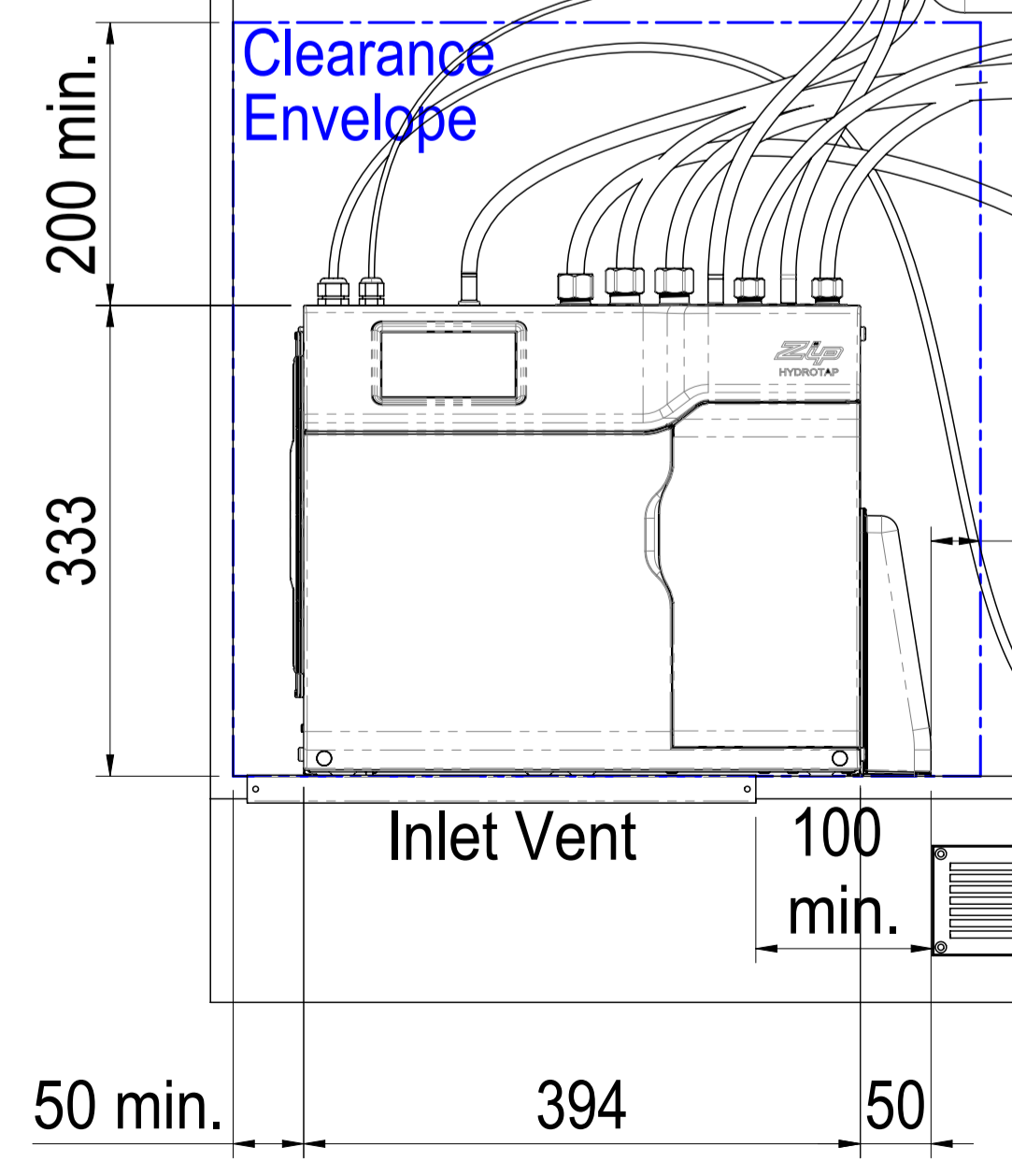


Cutting Detail for HydroTap Arc with Font

This set-up is applicable to:
 4in1 BCHA160/125 (Excluding Booster)
 HT2722: 5260AU0T0AN1C w/ HydroTap Arc Tap + Arc Mixer Tap
 4in1 BCHA160/175 (Excluding Booster)
 HT2723: 5261AU0T0AN1C w/ HydroTap Arc Tap + Arc Mixer Tap
 4in1 BCHA240/175 (With Booster)
 HT2724: 5361AU0T0AN1C w/ HydroTap Arc Tap + Arc Mixer Tap



Configuration : Default



Inlet Vent
Outlet Vent
Restrict-A-Flow
Mains cold water isolation valve (not supplied)