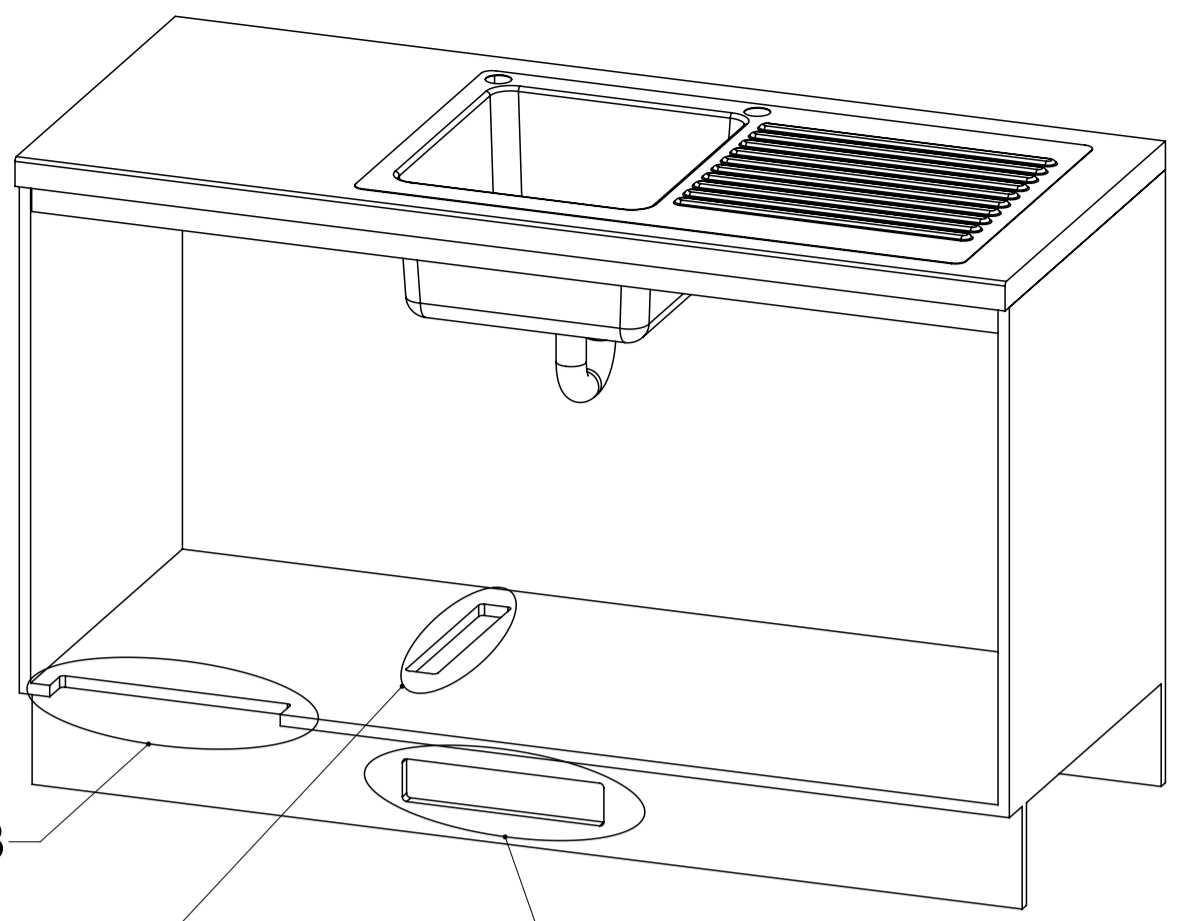


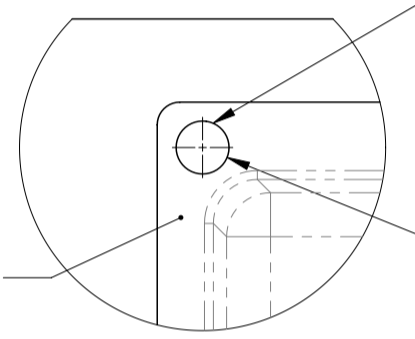
Item	Part	Rev	Description	Status	Qty	Make or Buy?
3	800221	C	Air Inlet Grill CFF	Production	1	Make
5	800220	C	Kickboard Fan Grill	Production	1	Buy
6	27200	A	Zip Hydrotap Booster MBX2 2.2kW 10A 230V	Production	1	Buy
8	802539	00	Elite Tap Boiling Control	Design	1	Buy
9	5361AU	00	Hydrotap Unit (BCHAS0175) - Boiling & Chilled 4in1 w/ Booster	Prototype	1	Buy
13	84451	A	Tap 1/2 BSP Female (Boss)	Production	1	Buy
14	87722	B	Asy - Restrict-A-Flow with ø2.5 Hole	Production	1	Buy
21	87570	A	Pacific Tap - Classic Mixer Tap	Production	1	Buy



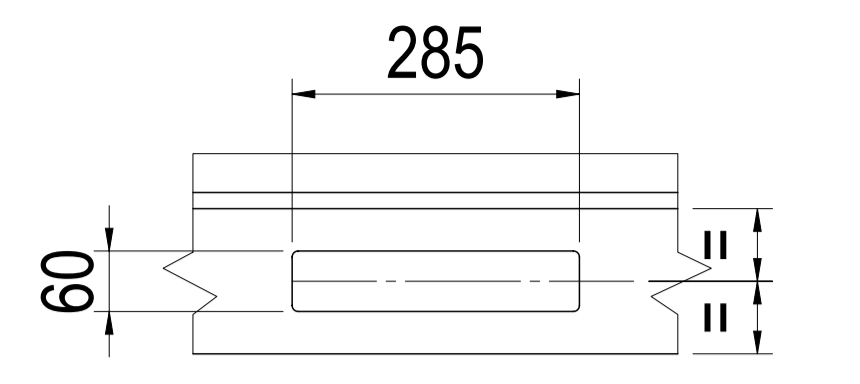
See Detail B
 See Detail C
 See Detail A

Ventilation Details

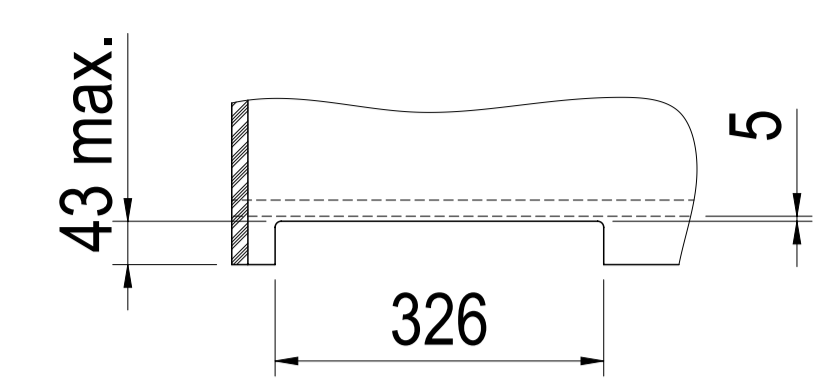
Position the Tap such that it dispenses into the sink bowl with ample clearance for a cup or a tea pot. Alternatively, the Tap could be mounted away from the sink using a Zip Font available as an accessory.



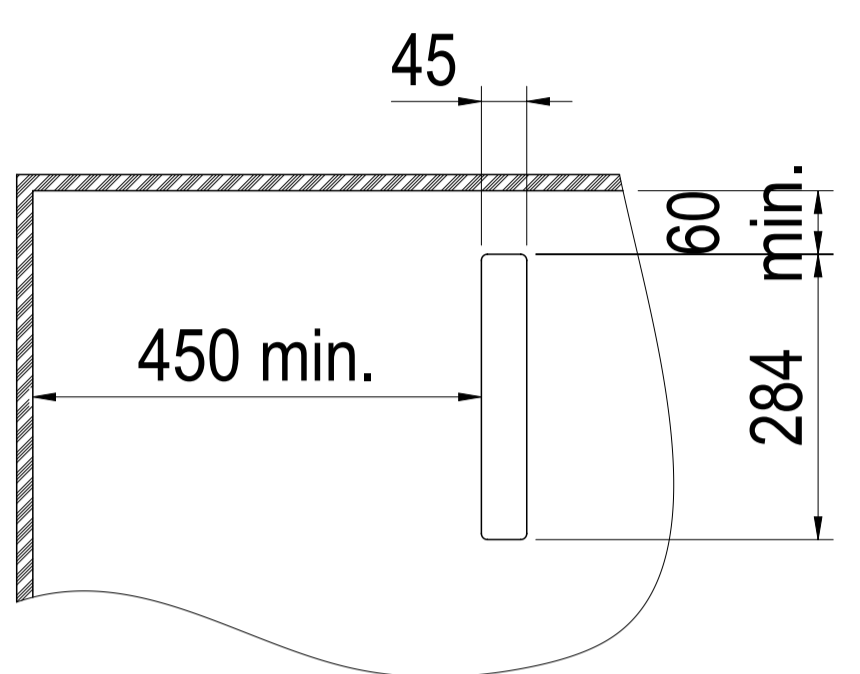
Sink shown only
 ø 35 Hole for Elite Taps



DETAIL A: Kickboard Cut-Out
 SCALE 1 : 7.5

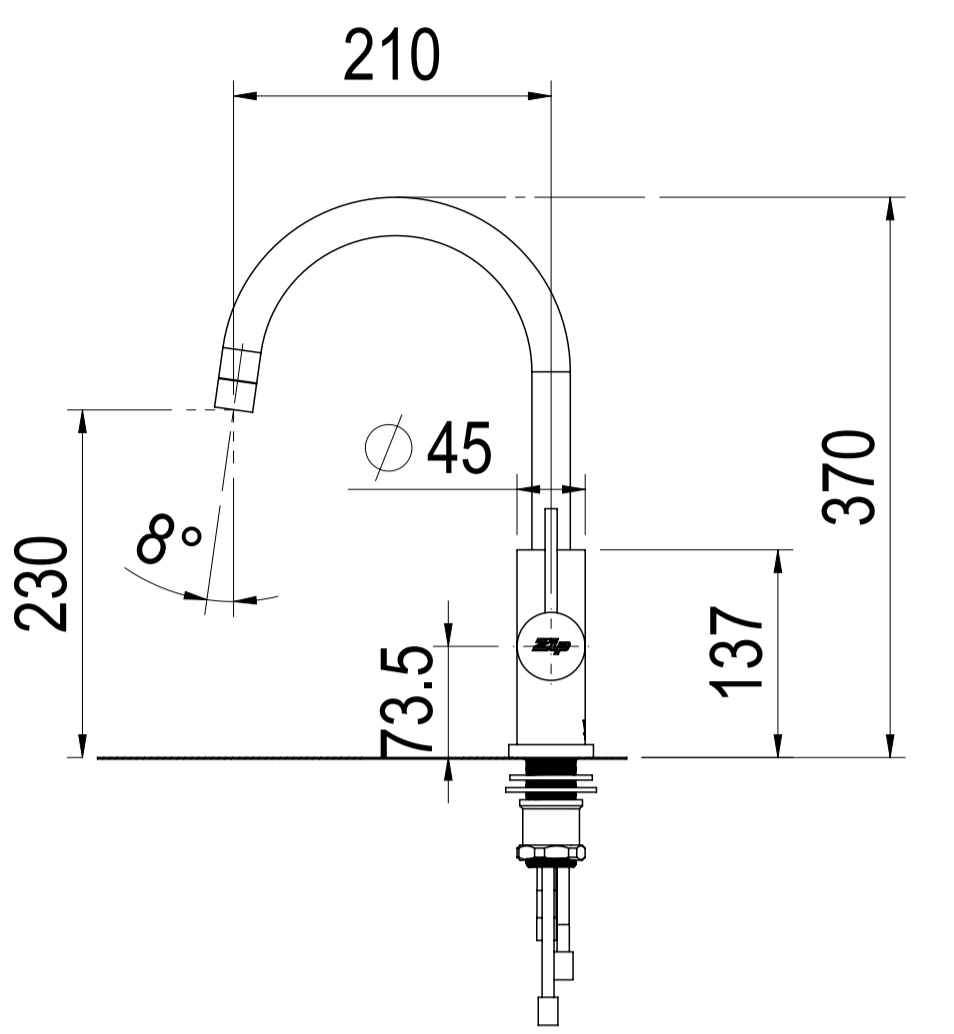


DETAIL B: Cabinet Floor Cut-Out
 SCALE 1 : 7.5

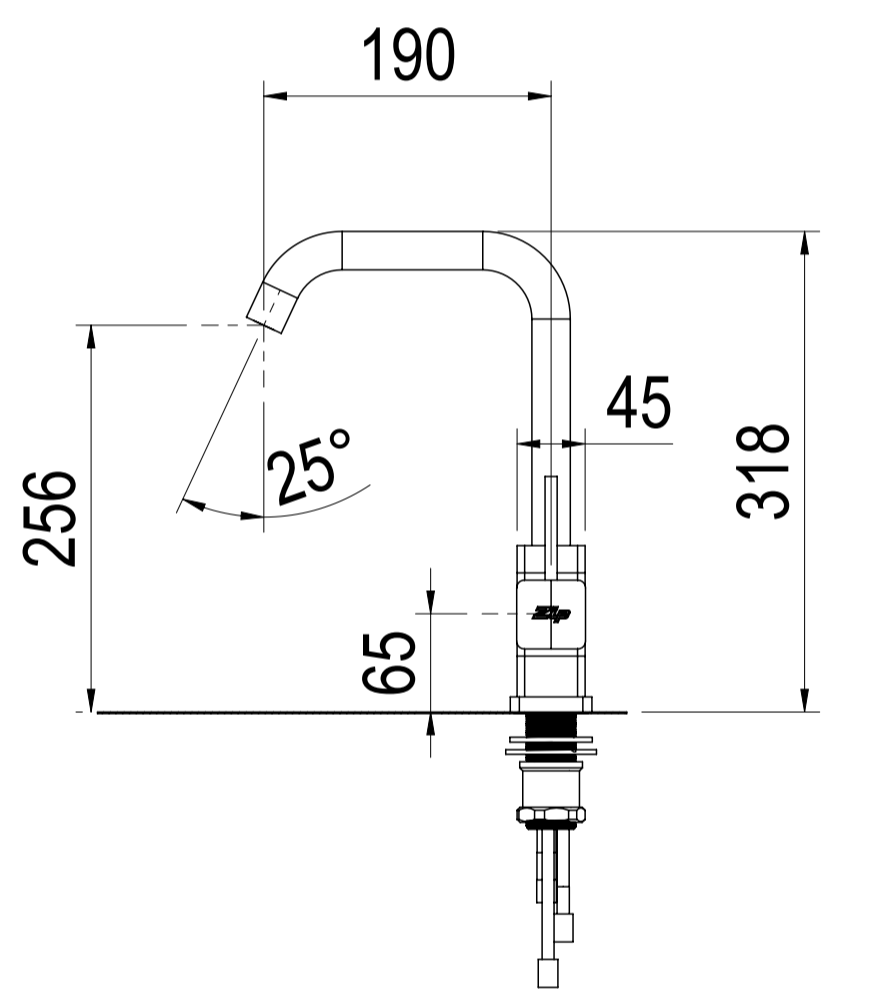


DETAIL C: Cabinet Floor Cut-Out
 SCALE 1 : 7.5

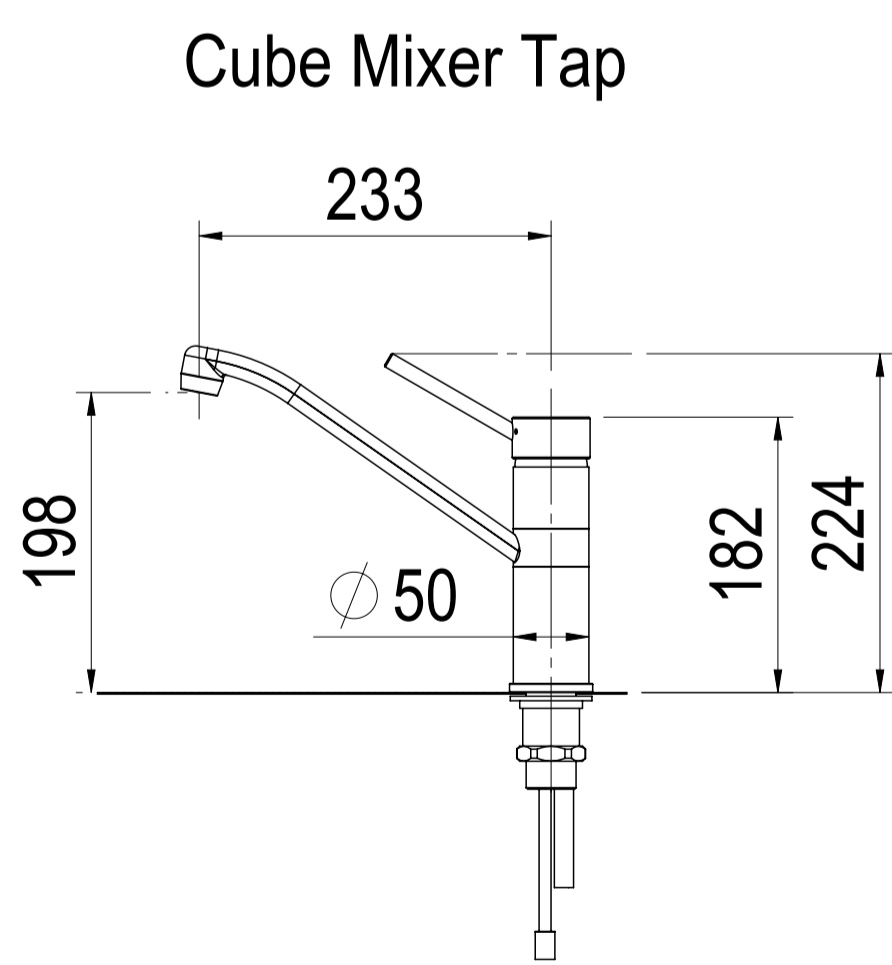
MIXER TAP OPTIONS
 Provide ø35mm hole on sink



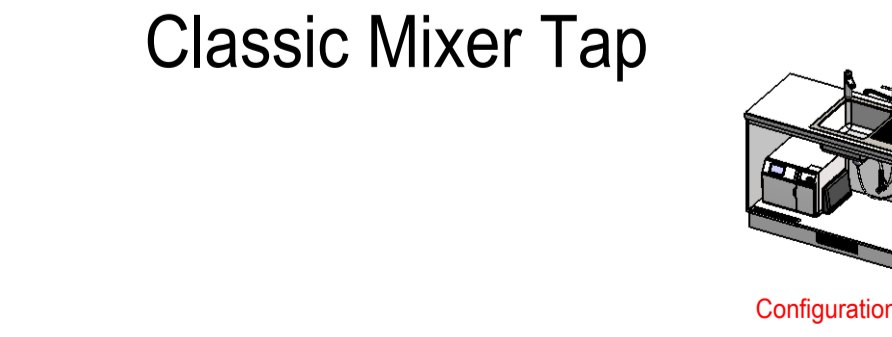
Arc Mixer Tap



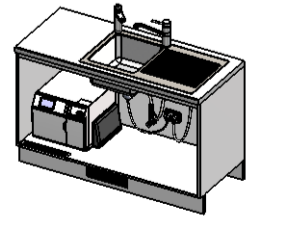
Elite Tap with Font



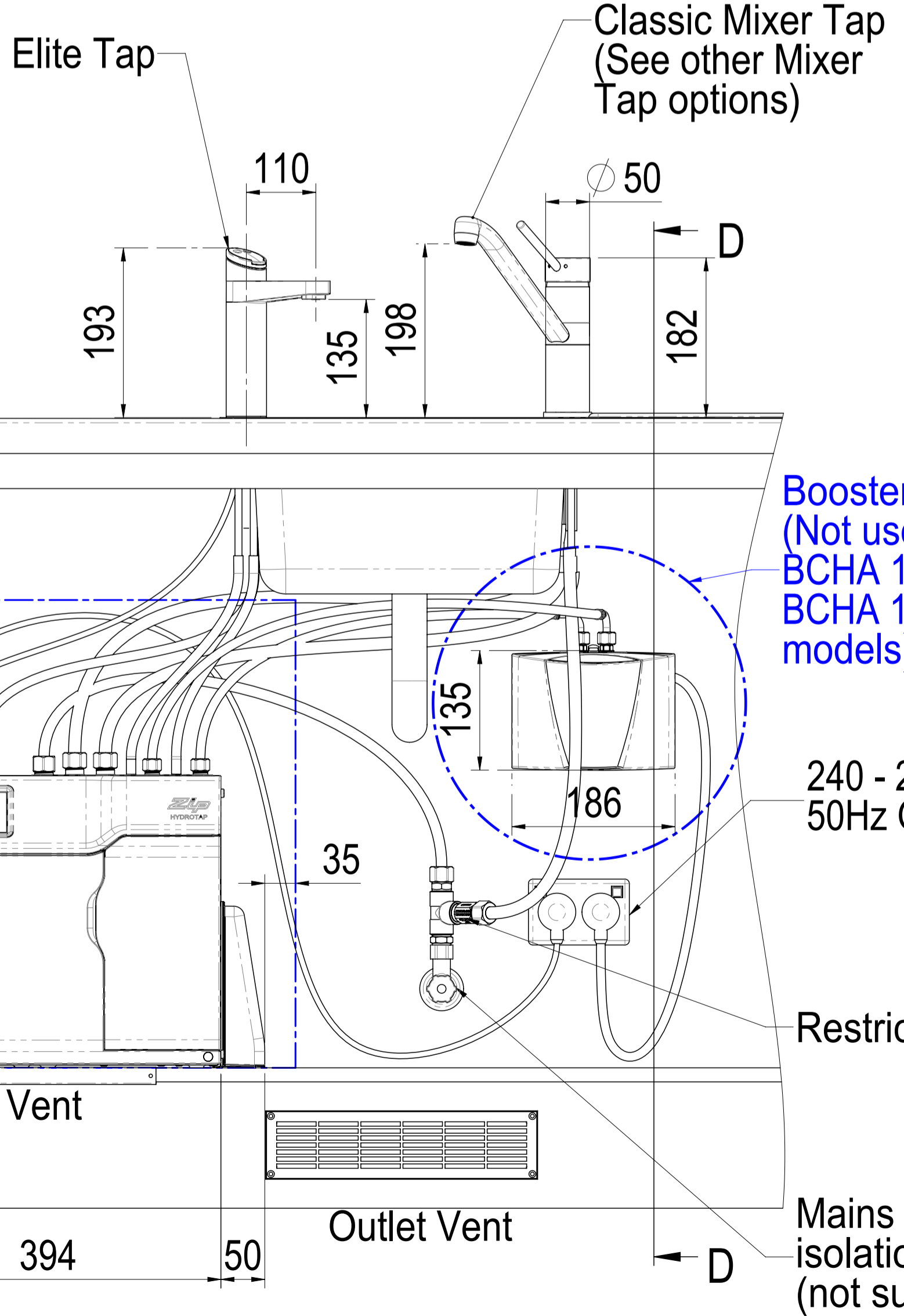
Cube Mixer Tap



Classic Mixer Tap



Configuration : Default



Elite Tap
 Classic Mixer Tap (See other Mixer Tap options)

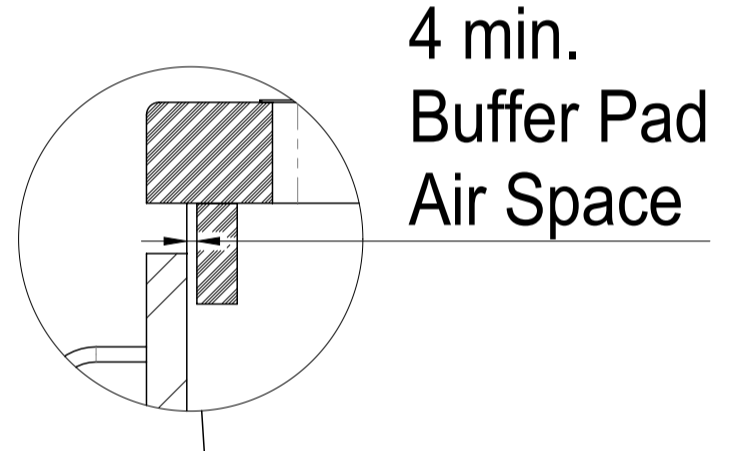
Clearance Envelope

Booster (Not used on BCHA 160/125 & BCHA 160/175 models)

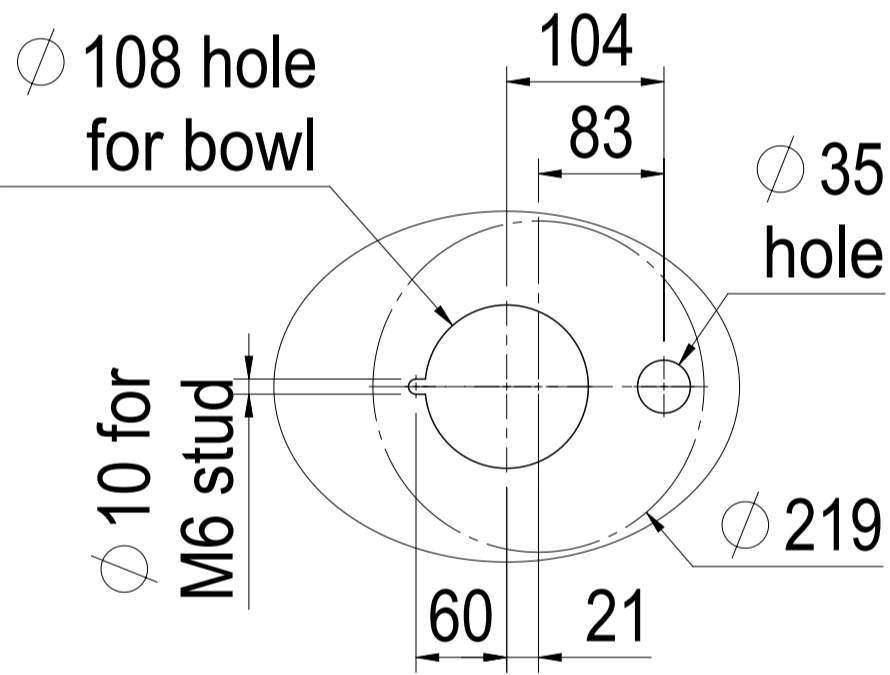
240 - 230V, 50Hz GPO

Restrict-A-Flow

Mains cold water isolation valve (not supplied)



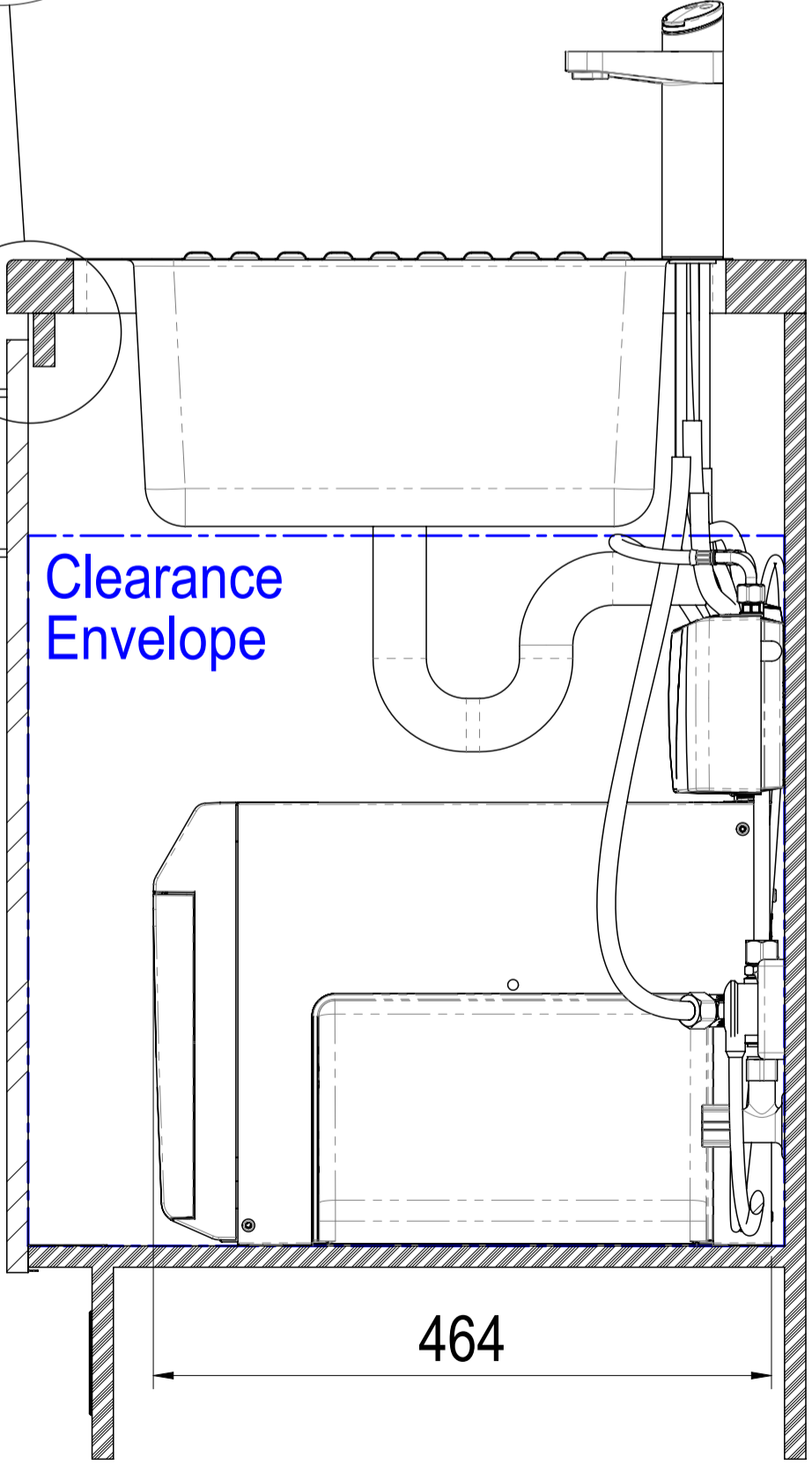
4 min. Buffer Pad Air Space



Cutting Detail for Elite Tap with Font

This set-up is applicable to:

- 4in1 BCHA160/125 (Excluding Booster)
- HT4722: 5260AU0E0CN1C w/ Elite Tap + Classic Mixer Tap
- HT4222: 5260AU0E0AN1C w/ Elite Tap + Arc Mixer Tap
- HT4322: 5260AU0E0UN1C w/ Elite Tap + Cube Mixer Tap
- 4in1 BCHA160/175 (Excluding Booster)
- HT4723: 5261AU0E0CN1C w/ Elite Tap + Classic Mixer Tap
- HT4223: 5261AU0E0AN1C w/ Elite Tap + Arc Mixer Tap
- HT4323: 5261AU0E0UN1C w/ Elite Tap + Cube Mixer Tap
- 4in1 BCHA240/175 (With Booster)
- HT4724: 5361AU0E0CN1C w/ Elite Tap + Classic Mixer Tap
- HT4224: 5361AU0E0AN1C w/ Elite Tap + Arc Mixer Tap
- HT4324: 5361AU0E0UN1C w/ Elite Tap + Cube Mixer Tap



SECTION D-D
 SCALE 1 : 5

<p>This drawing is CONFIDENTIAL and is supplied on the express condition that it shall not be LOANED, COPIED or DISCLOSED to any other third party or used for any purpose without the written consent of Zip Industries Pty Ltd. This document is prepared in hardcopy form. It is for INFORMATION ONLY and therefore not subject to updating controls. For the current revision ALWAYS refer to the MATRICE database form as stated in the top left hand corner of this sheet. © copyright Zip Industries Pty Ltd. 2015/02/15</p>		<p>Zip Industries Zip</p>	
<p>Manufacturing Instructions</p>		<p>Assembled by: edgag on 23/07/2015</p>	
<p>Make or Buy: Buy</p>		<p>Checked by: edgag on 23/07/2015</p>	
<p>Manufacturing Route: Manufacturing Process</p>		<p>Updated by: edgag on 23/07/2015 8:31:48 AM</p>	
<p>Raw material: See Components</p>		<p>Project: Hydrotap G4B</p>	
<p>Remove all sharp edges. This drawing ONLY details information which cannot be ascertained from the 3D geometry of the part(s) attached. Model & dimensions are AFTER all finishing operations.</p>		<p>Material: See Components</p>	
<p>Finish:</p>		<p>Model: KL002_5361AU0E0CN1C</p>	
<p>Volume: 1</p>		<p>Created by & on: Edgag on 23/07/2015</p>	
<p>Mass: 105513.3</p>		<p>Rev: 01</p>	
<p>Density: 1.2</p>		<p>Size: A1</p>	
<p>Scale: 1:1</p>		<p>Sheet: 1 of 1</p>	
<p>Color: Colourless</p>		<p>Config Property:</p>	
<p>Status: Prototype</p>		<p>Custom Property:</p>	