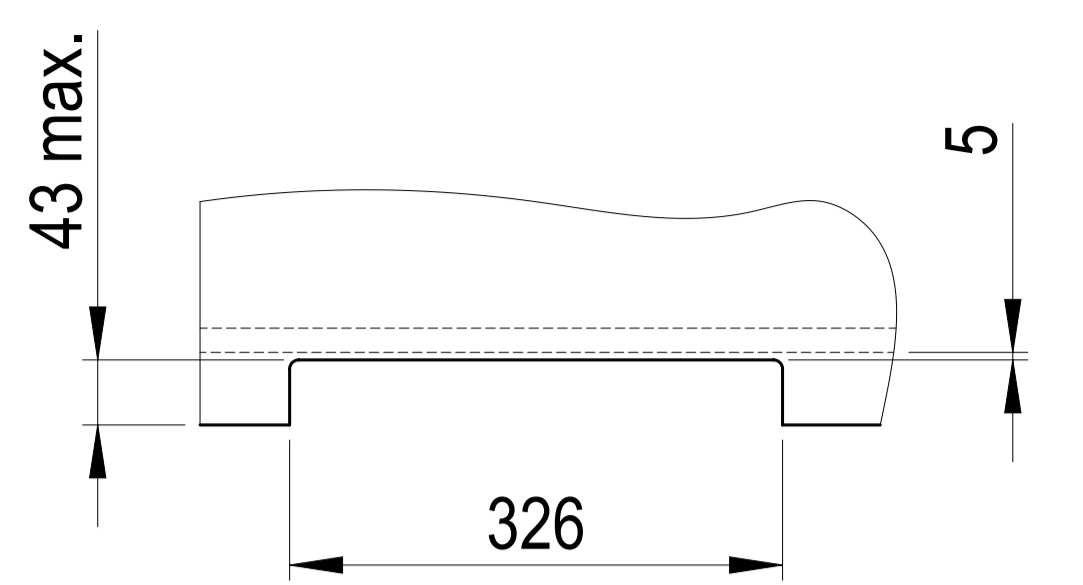
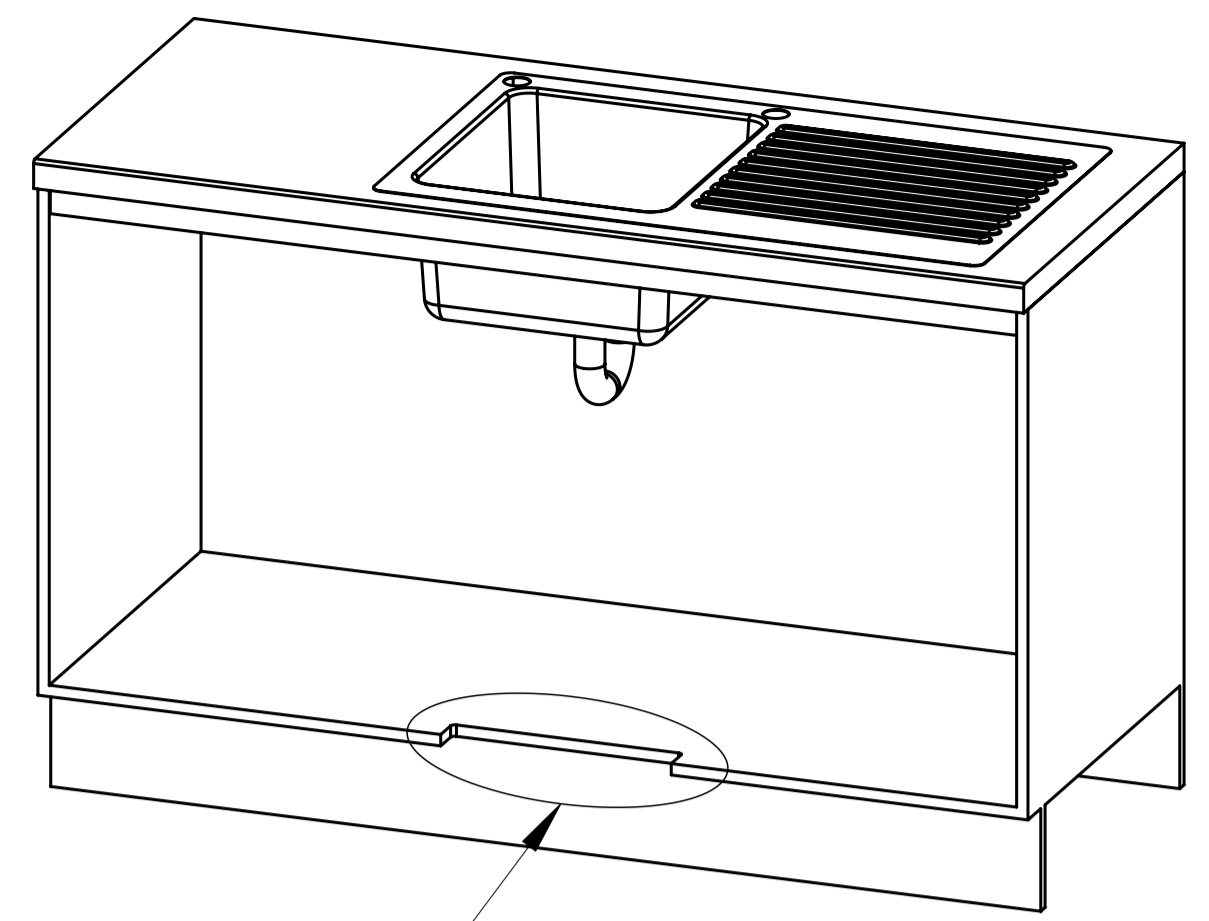


Table - Zip BOM (Assembly + Make/Buy)

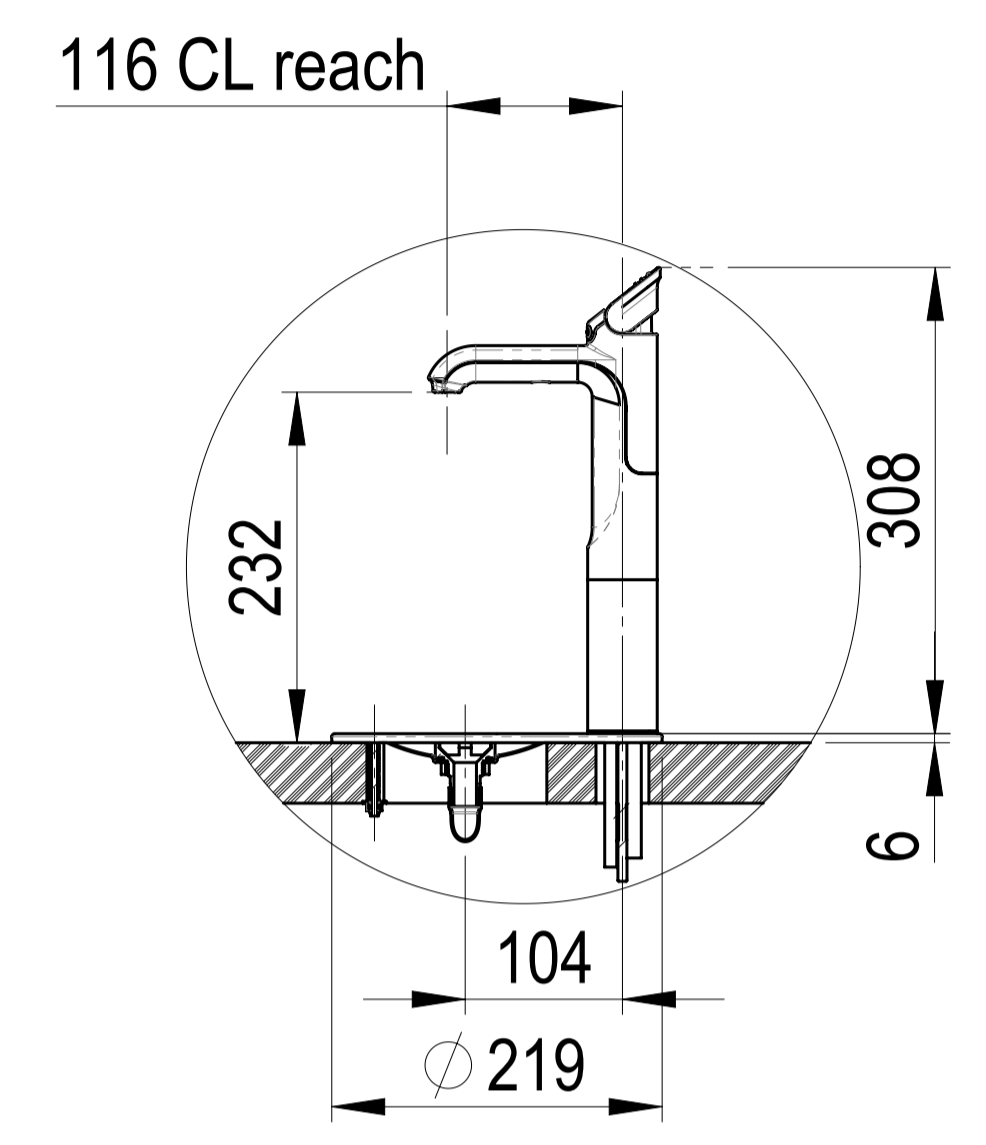
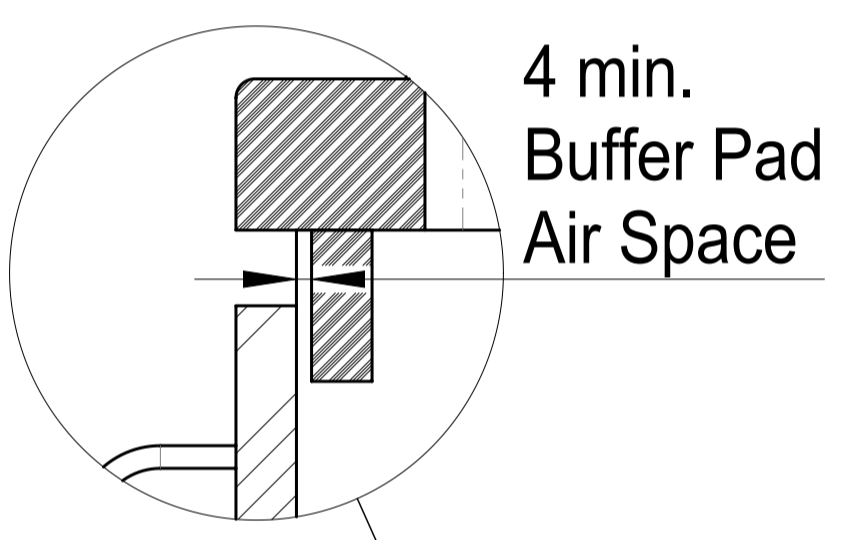
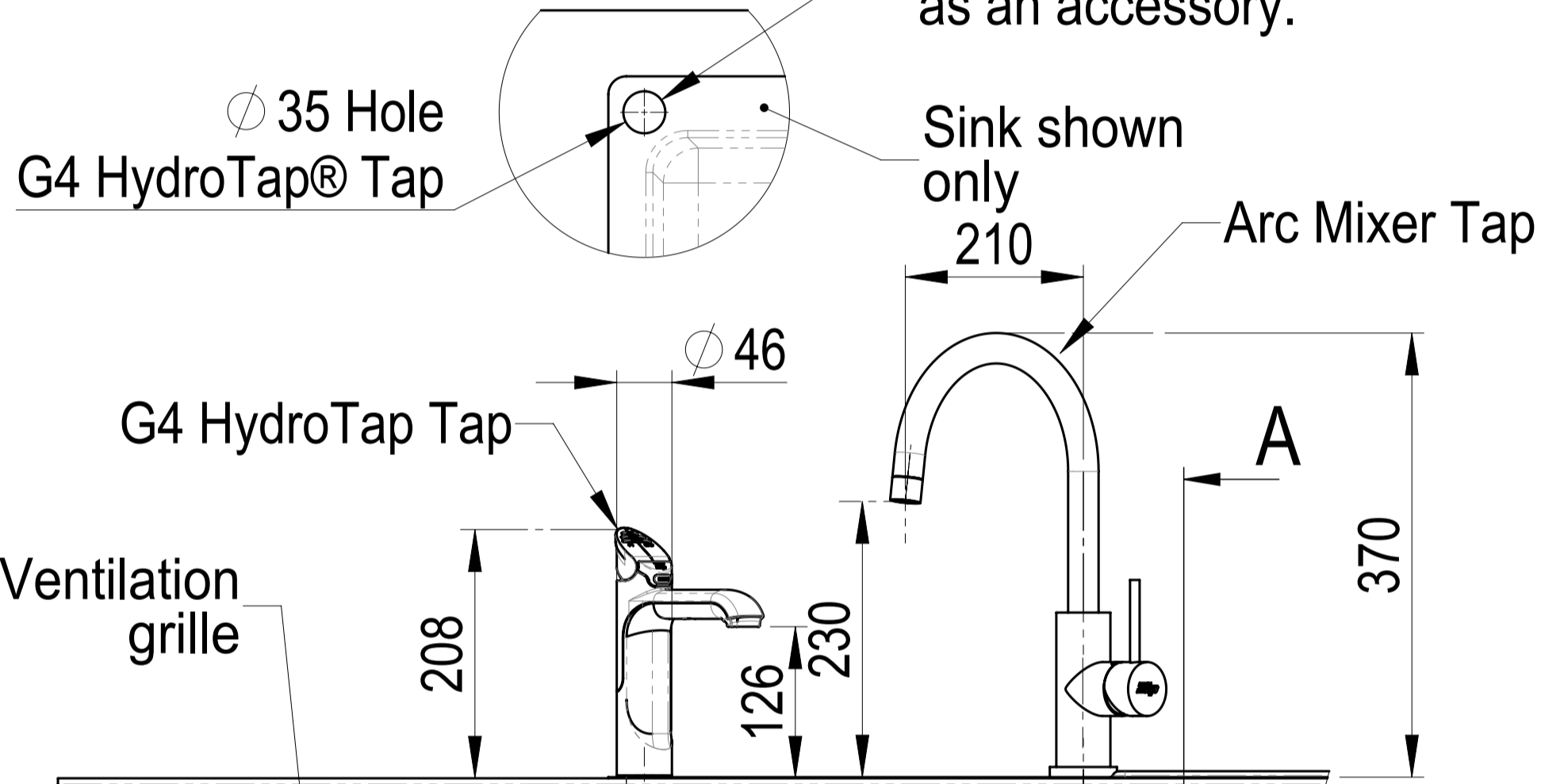
Item	Part	Rev	Description	Qty
1	86451	A	Nipple-Tapered 1/2" (No 27)	2
2	5200AU	01	HydroTap G4 BHA160 Boiling Only 3in1	1
3	800209	C	Keyboard Fan Grill	1
4	800221	C	Air Inlet Grill CFF	1
8	86451	A	Tea 1/2" BSP Female (Brass)	1
13	85193	B	Assy - Restrict-A-Flow with ø2.5 Hole	1
15	800544-S	A	Alloy - Tap (G4) Boiling Only	1
16	800209	00	Description (ConFig)	1



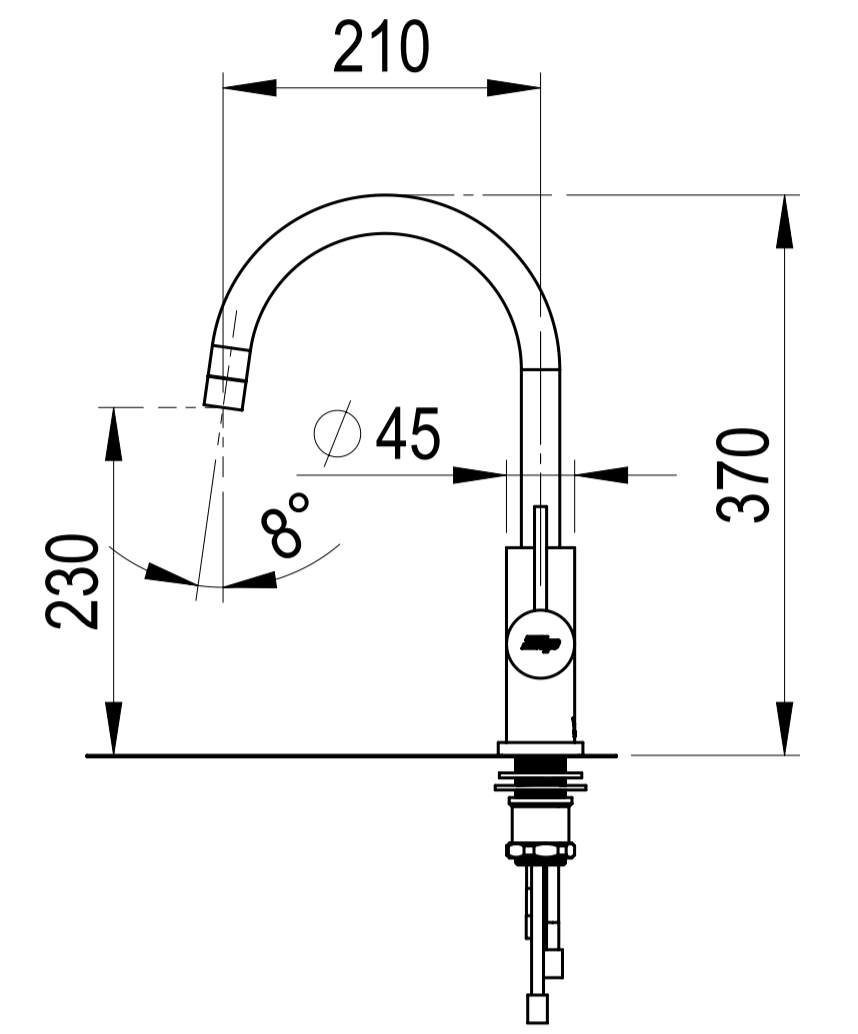
DETAIL B: Cabinet Floor Cut-Out

See Detail B
 Ventilation Details

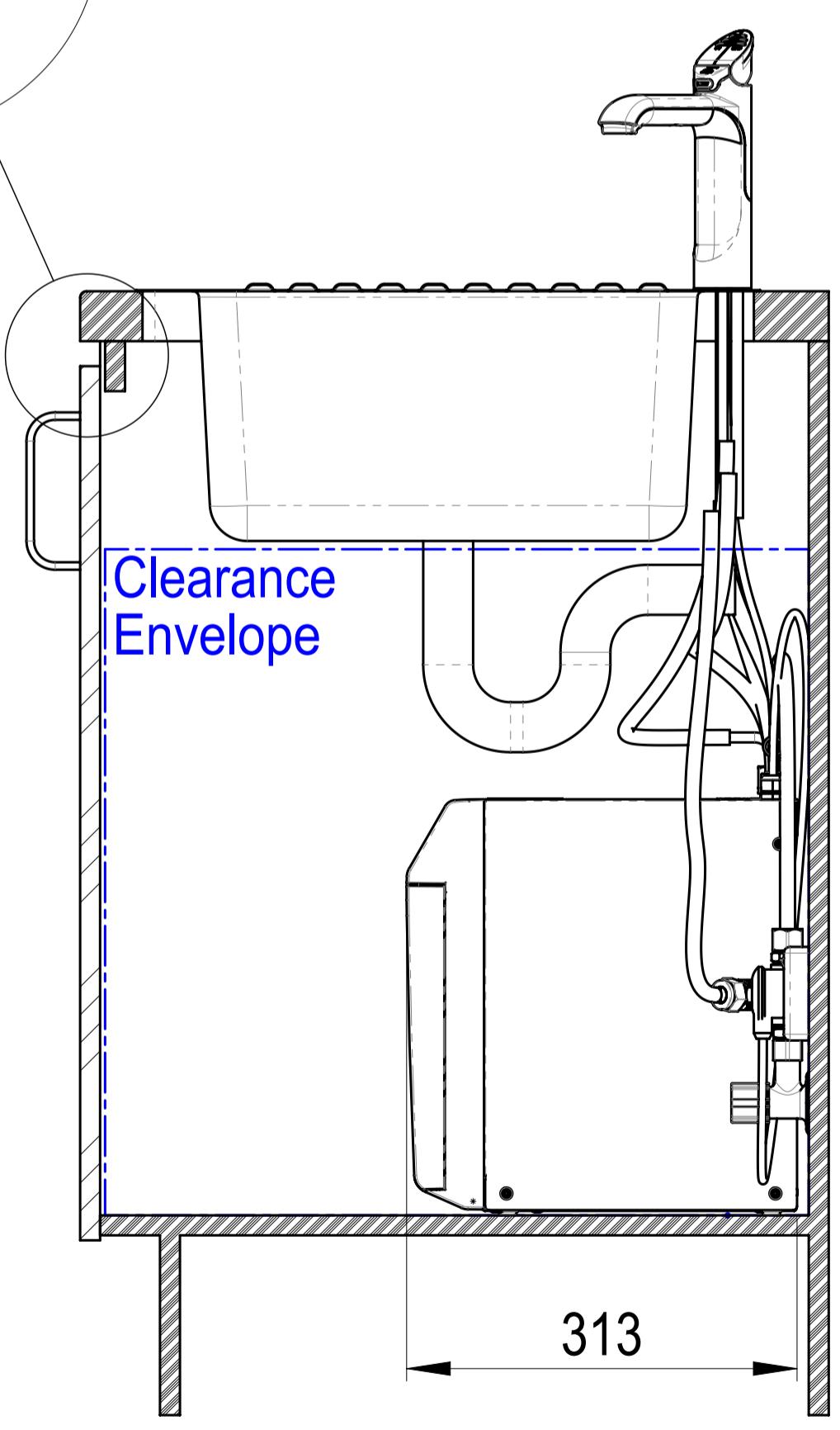
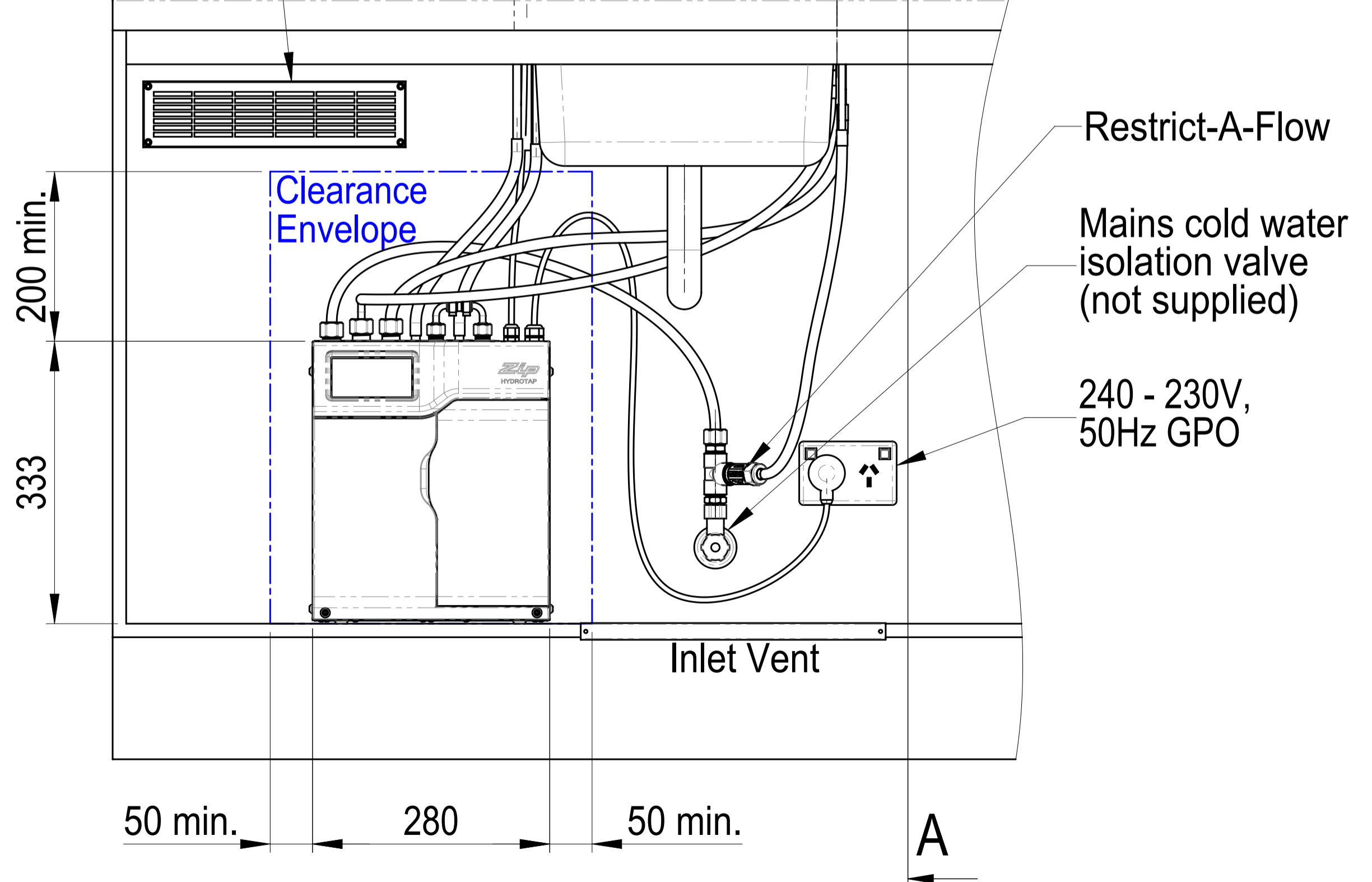
Position the Tap such that it dispenses into the sink bowl with ample clearance for a cup or a tea pot. Alternatively, the Tap could be mounted away from the sink using a Zip Font available as an accessory.



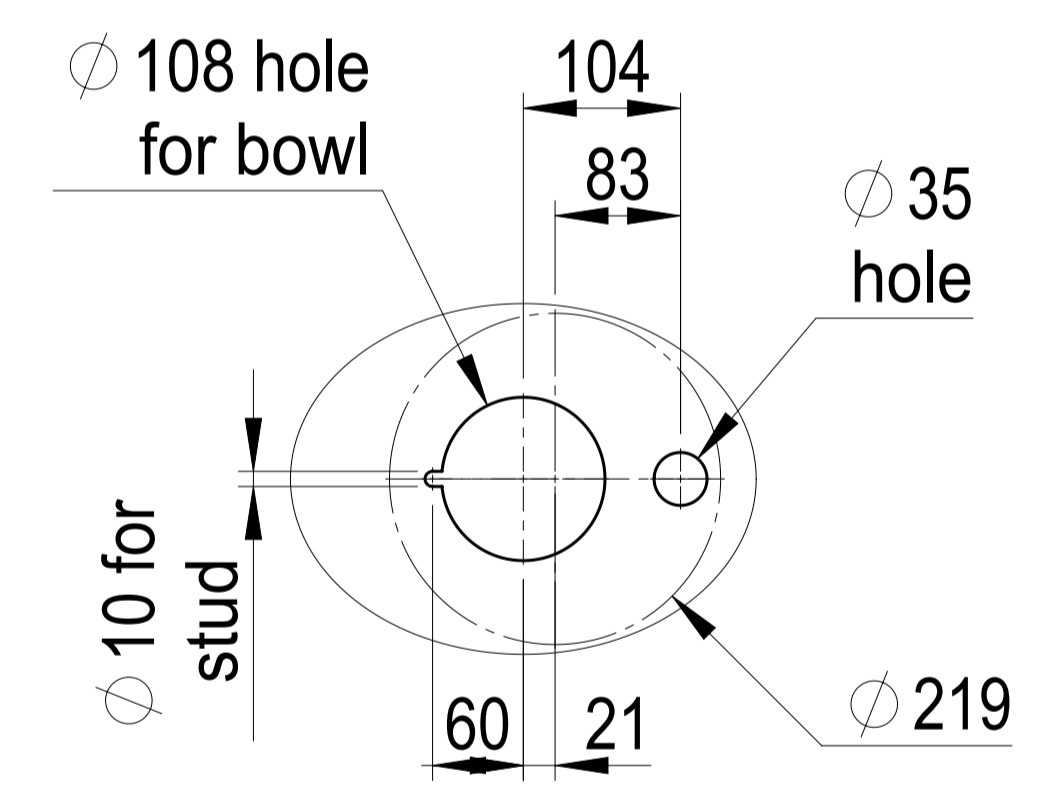
G4 HydroTap Tap on Font



Arc Mixer Tap
 Provide ø35mm hole for Mixer Tap



SECTION A-A
 SCALE 1 : 5



Cutting Detail for
 G4 HydroTap Tap with Font

