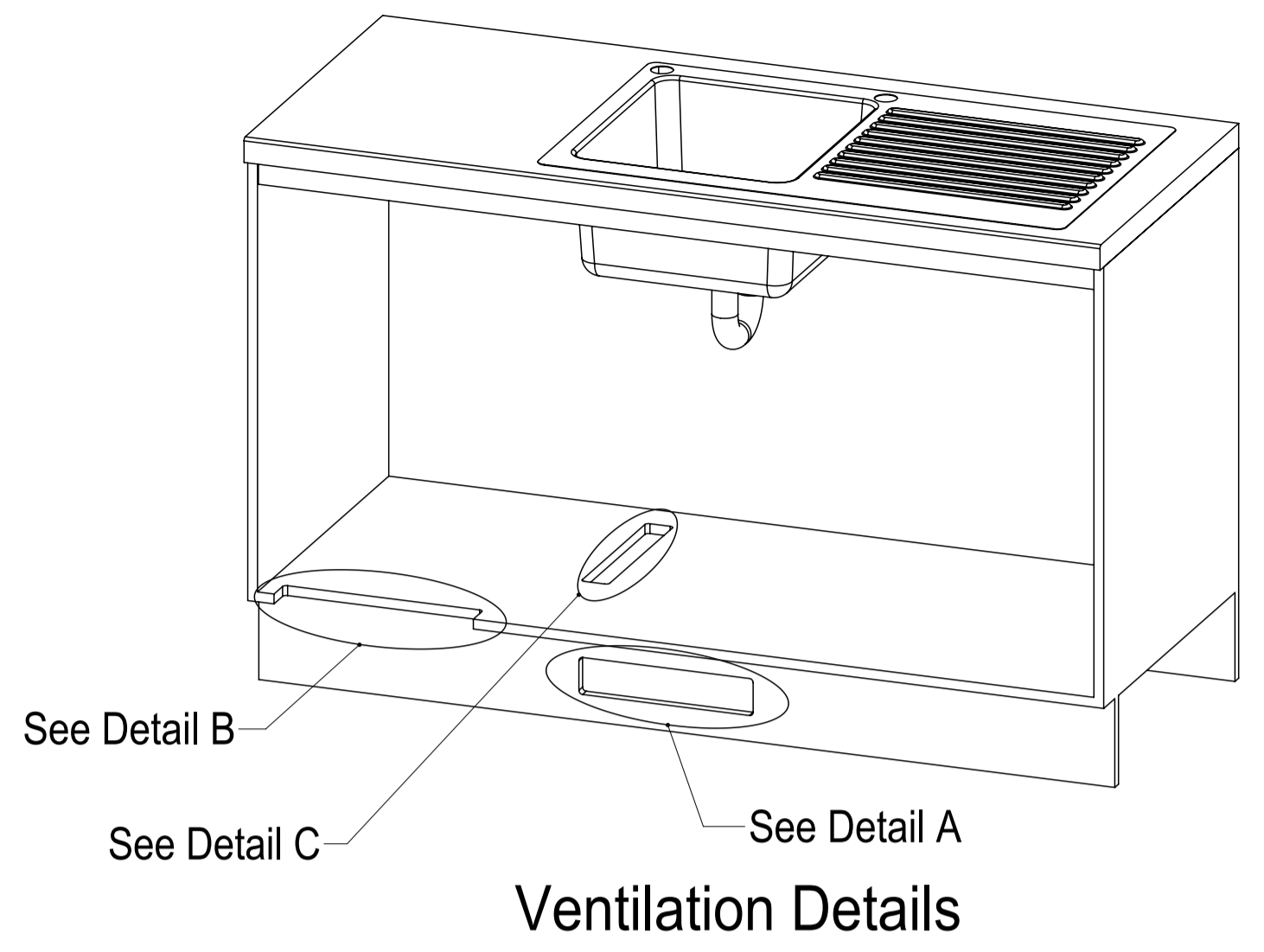
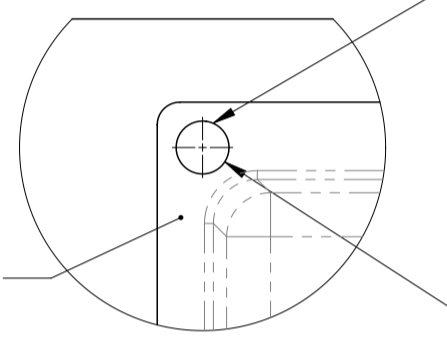


Item	Part	Rev	Description	Status	Qty	Make or Buy?
4	800221	C	Air Inlet Grill CFF	Production	1	Buy
5	800433	00	HydroTap Arc Tap	Design	1	Buy
7	800220	C	Kickboard Fan Grill	Production	1	Buy
10	27200	A	Zip HydroTap Booster MBX2 2.2kW 15A 230V	Production	1	Buy
14	5161AU	00	HydroTap Tap W/ BOILER/175" Boiling Chilled or Boiling	Prototype	1	Buy

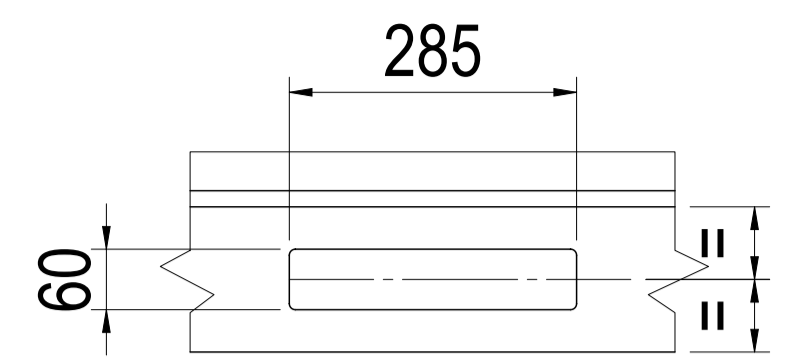


Ventilation Details

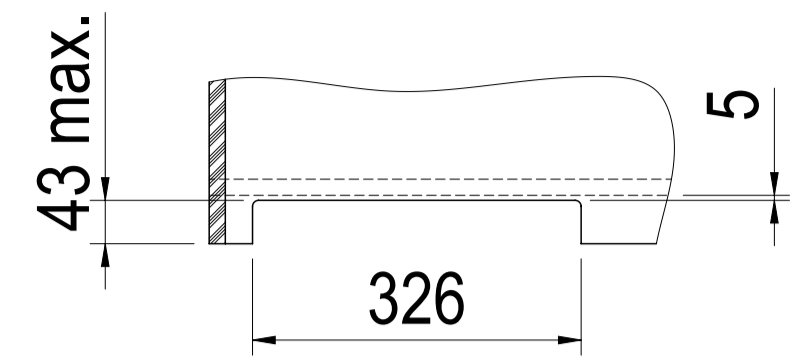
Position the Tap such that it dispenses into the sink bowl with ample clearance for a cup or a tea pot. Alternatively, the Tap could be mounted away from the sink using a Zip Font available as an accessory.



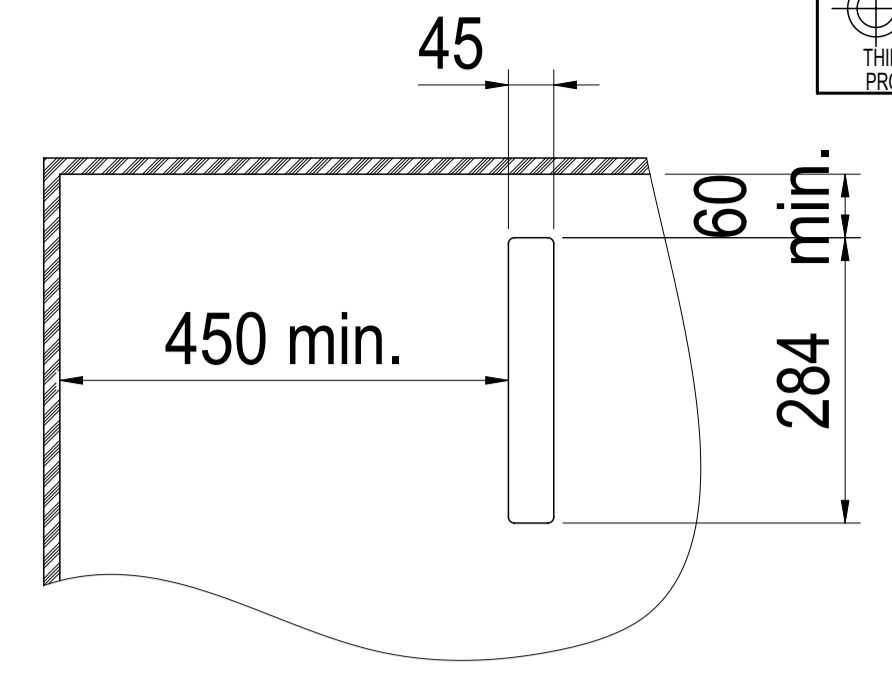
Ø 35 Hole for HydroTap Arc, HydroTap Cube or Elite Taps



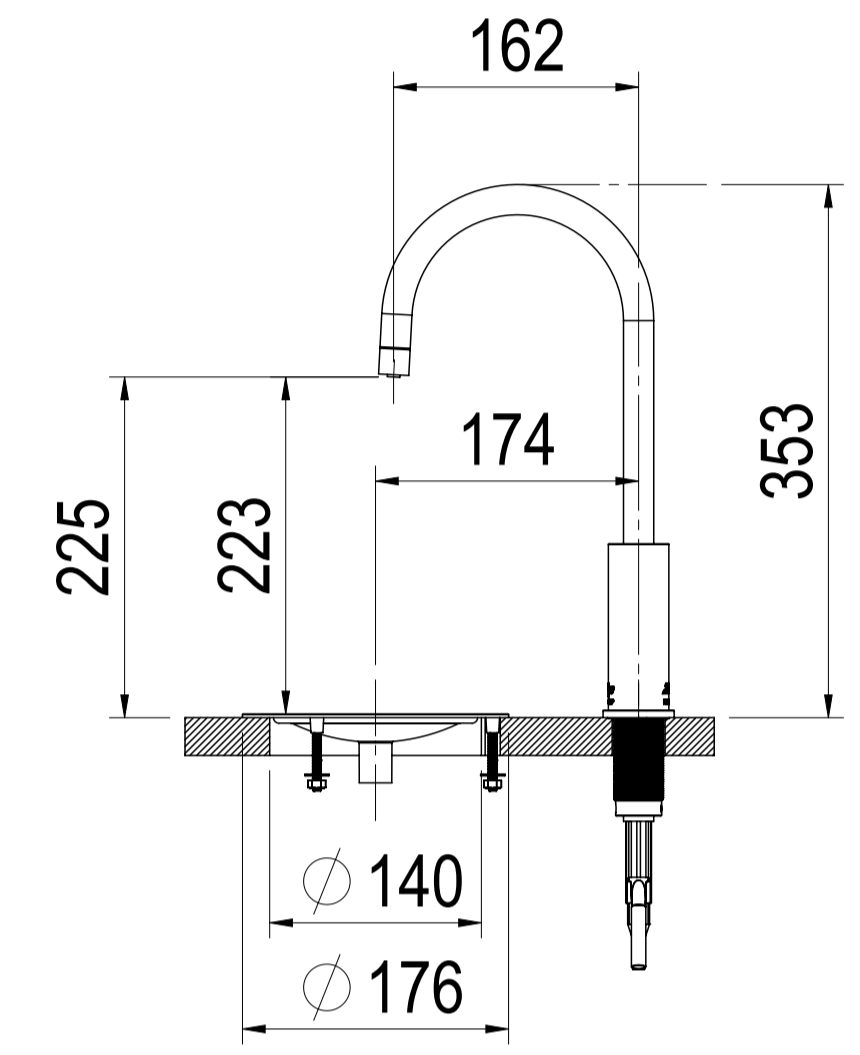
DETAIL A: Kickboard Cut-Out
SCALE 1 : 7.5



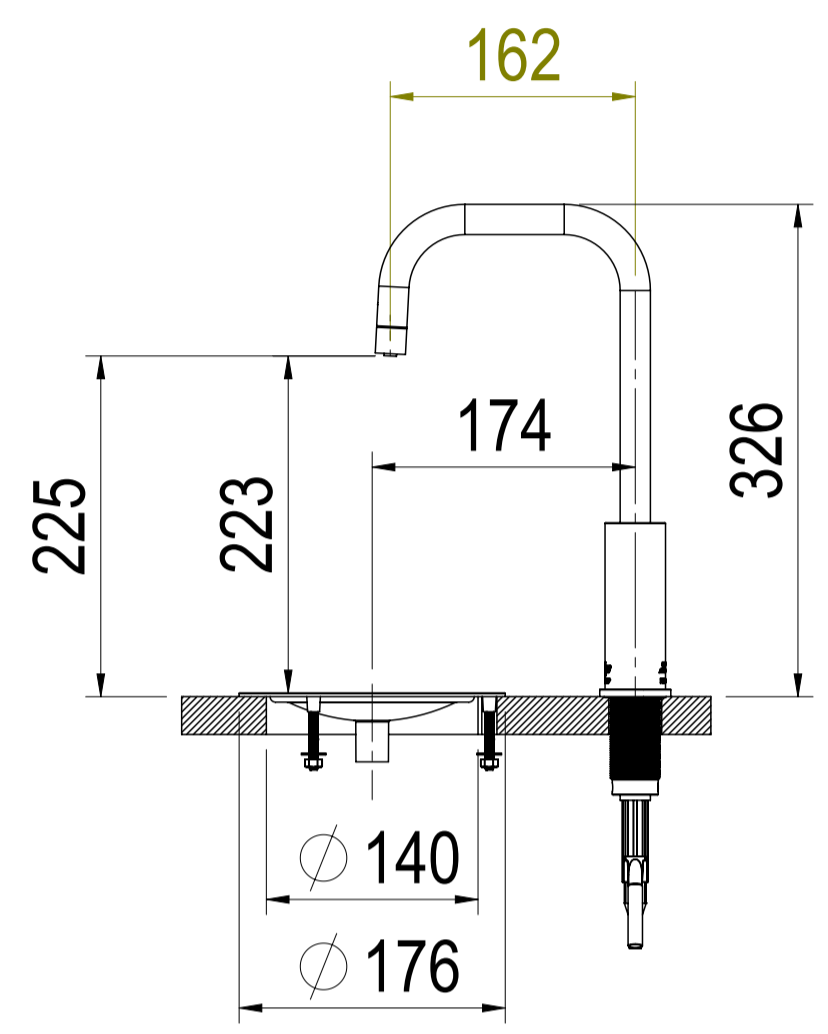
DETAIL B: Cabinet Floor Cut-Out
SCALE 1 : 7.5



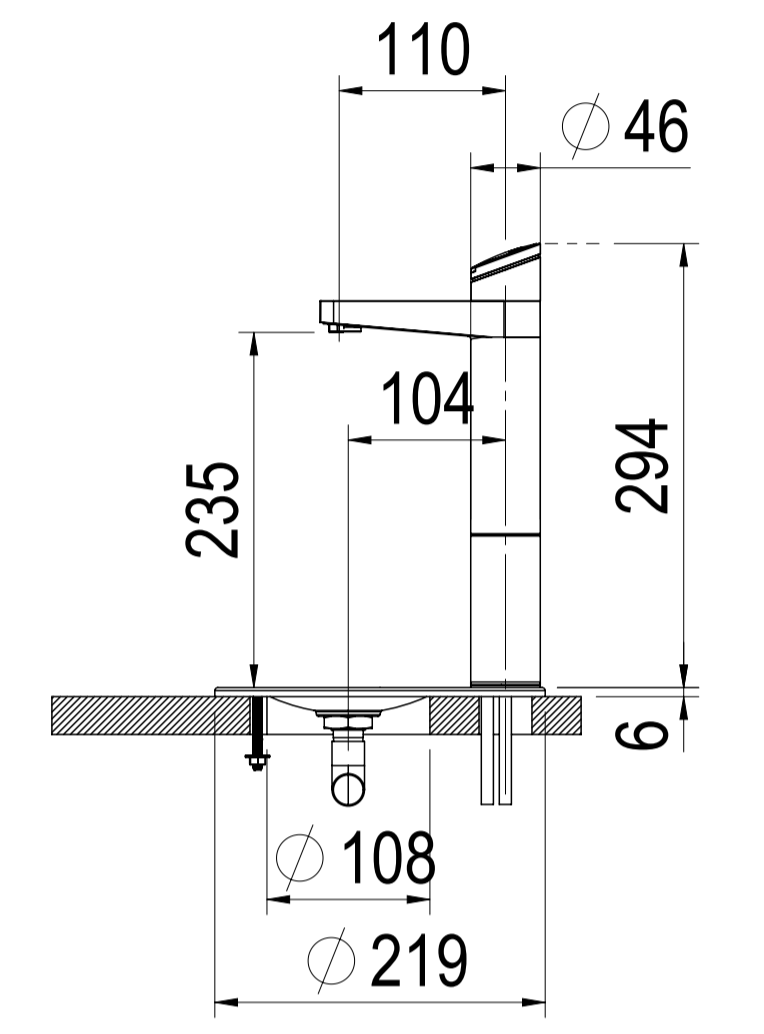
DETAIL C: Cabinet Floor Cut-Out
SCALE 1 : 7.5



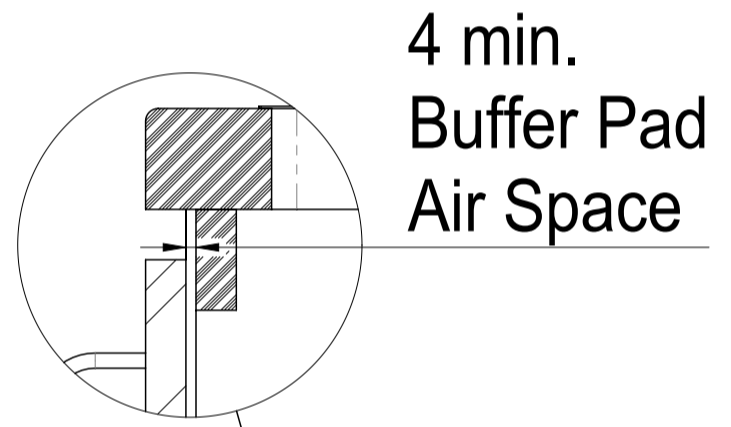
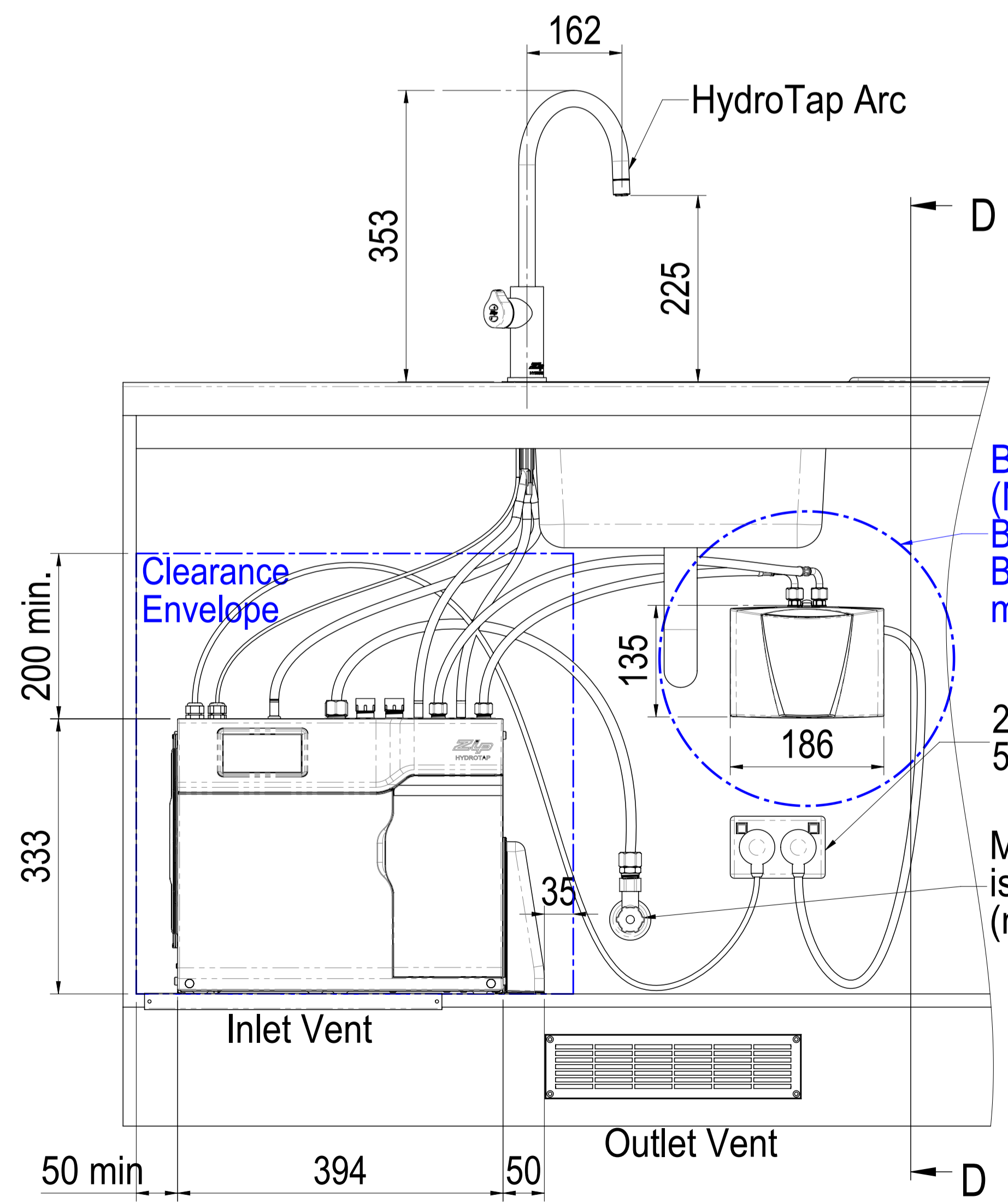
HydroTap Arc with Font



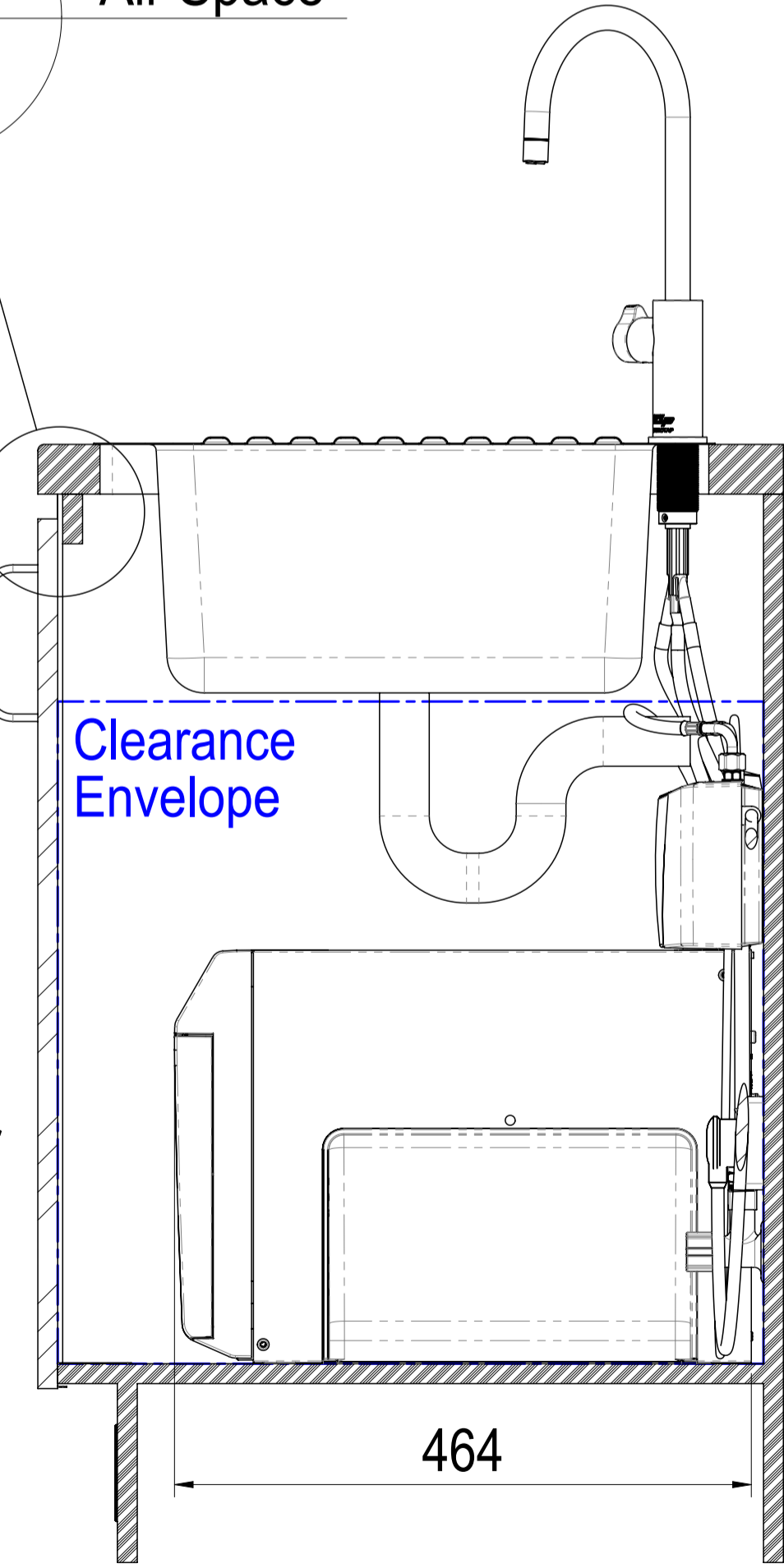
HydroTap Cube with Font



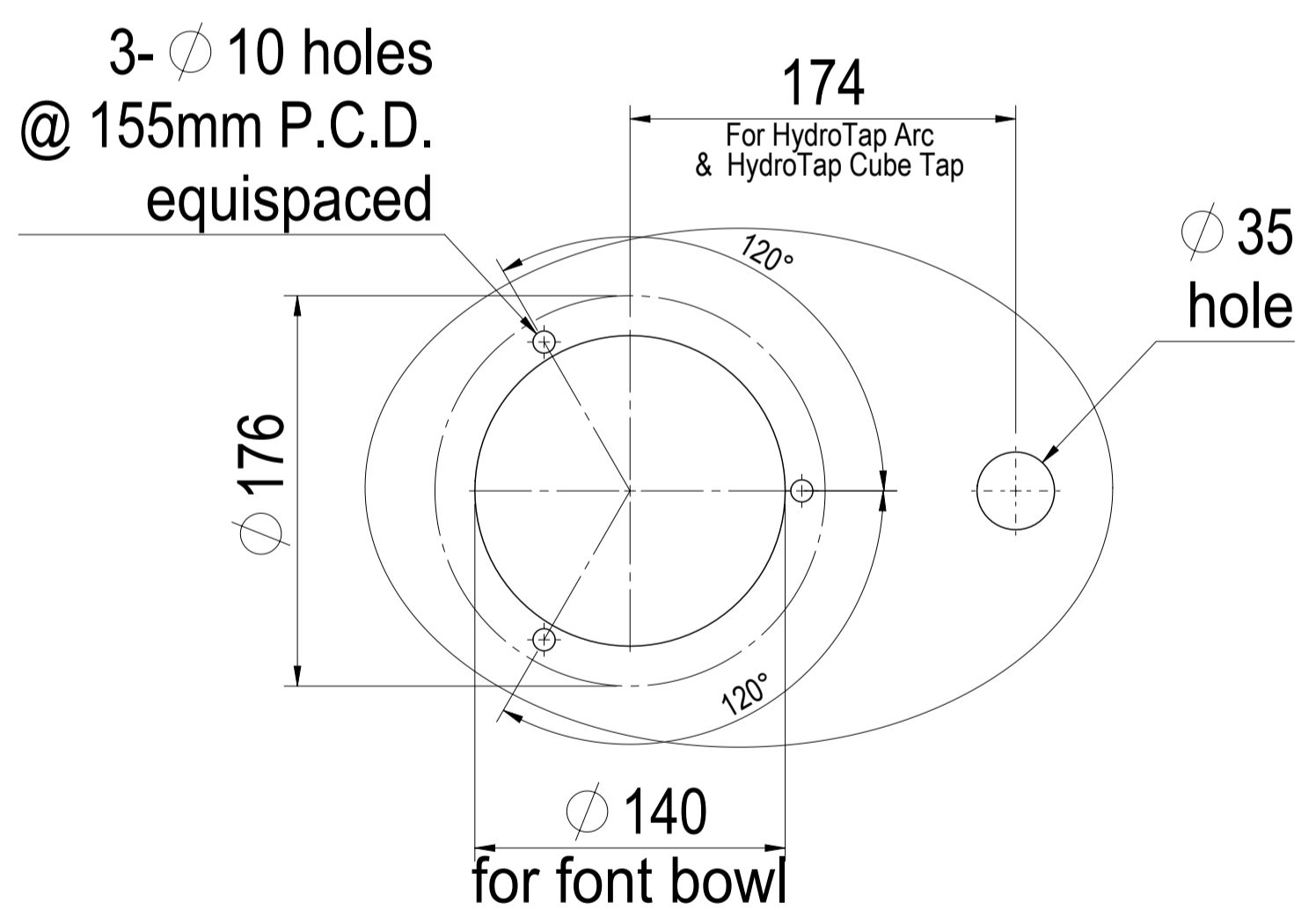
Elite Tap with Font



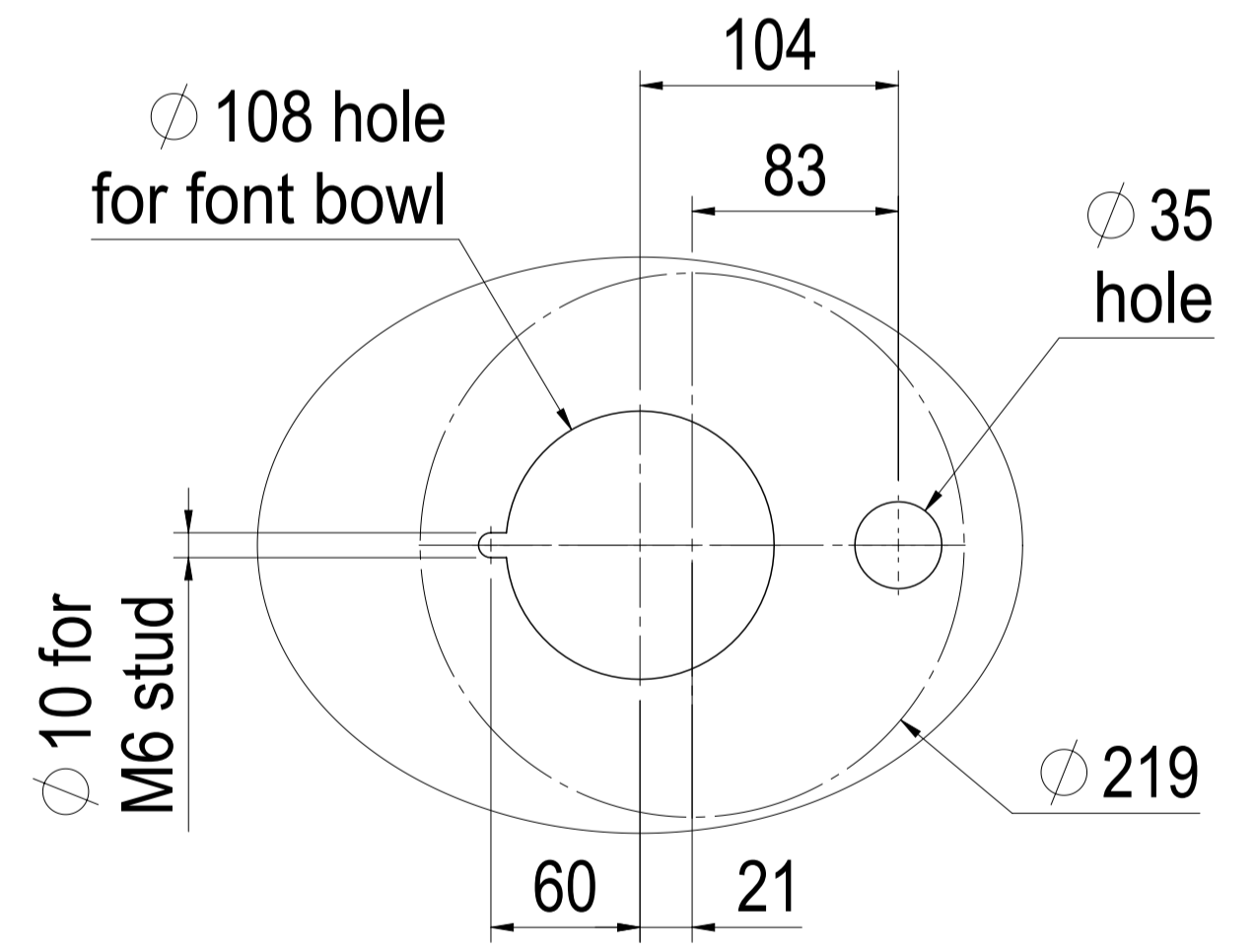
4 min. Buffer Pad Air Space



SECTION D-D
SCALE 1 : 5



Cutting Detail for HydroTap Arc or Cube Tap with Font



Cutting Detail for Elite Tap with Font

This set-up is applicable to:

- BC160/125 (Excluding Booster)
- HT2703: 5060AU0T0ZN1C w/ HydroTap Arc Tap
- HT3703: 5060AU0U0ZN1C w/ HydroTap Cube Tap
- HT4703: 5060AU0E0ZN1C w/ Elite Tap
- BC160/175 (Excluding Booster)
- HT2704: 5061AU0T0ZN1C w/ HydroTap Arc Tap
- HT3704: 5061AU0U0ZN1C w/ HydroTap Cube Tap
- HT4704: 5061AU0E0ZN1C w/ Elite Tap

- BC240/175 (With Booster)
- HT2705: 5161AU0T0ZN1C w/ HydroTap Arc Tap
- HT3705: 5161AU0U0ZN1C w/ HydroTap Cube Tap
- HT4705: 5161AU0E0ZN1C w/ Elite Tap

