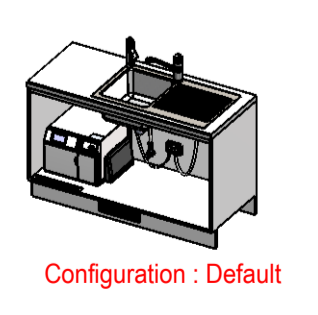
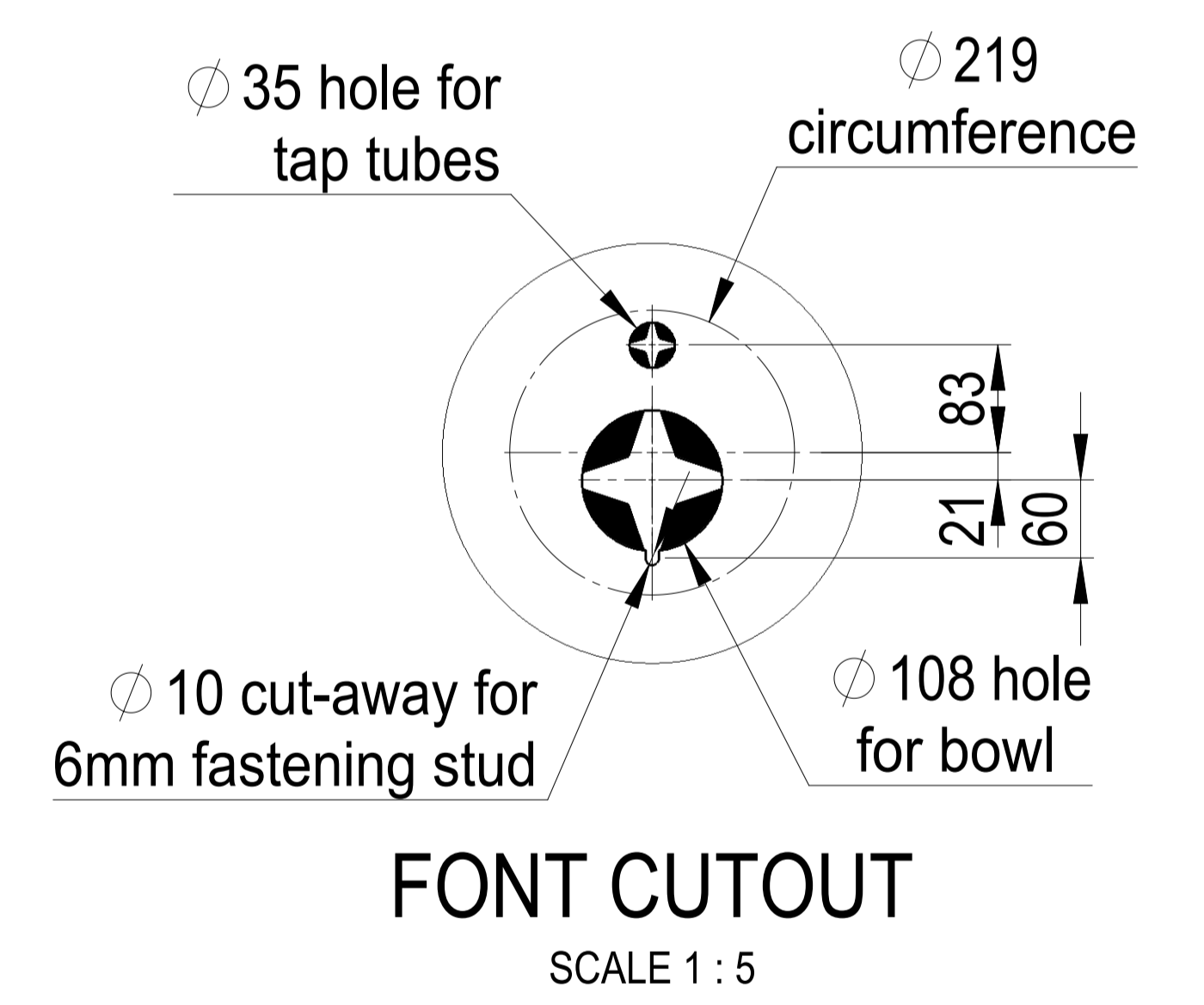
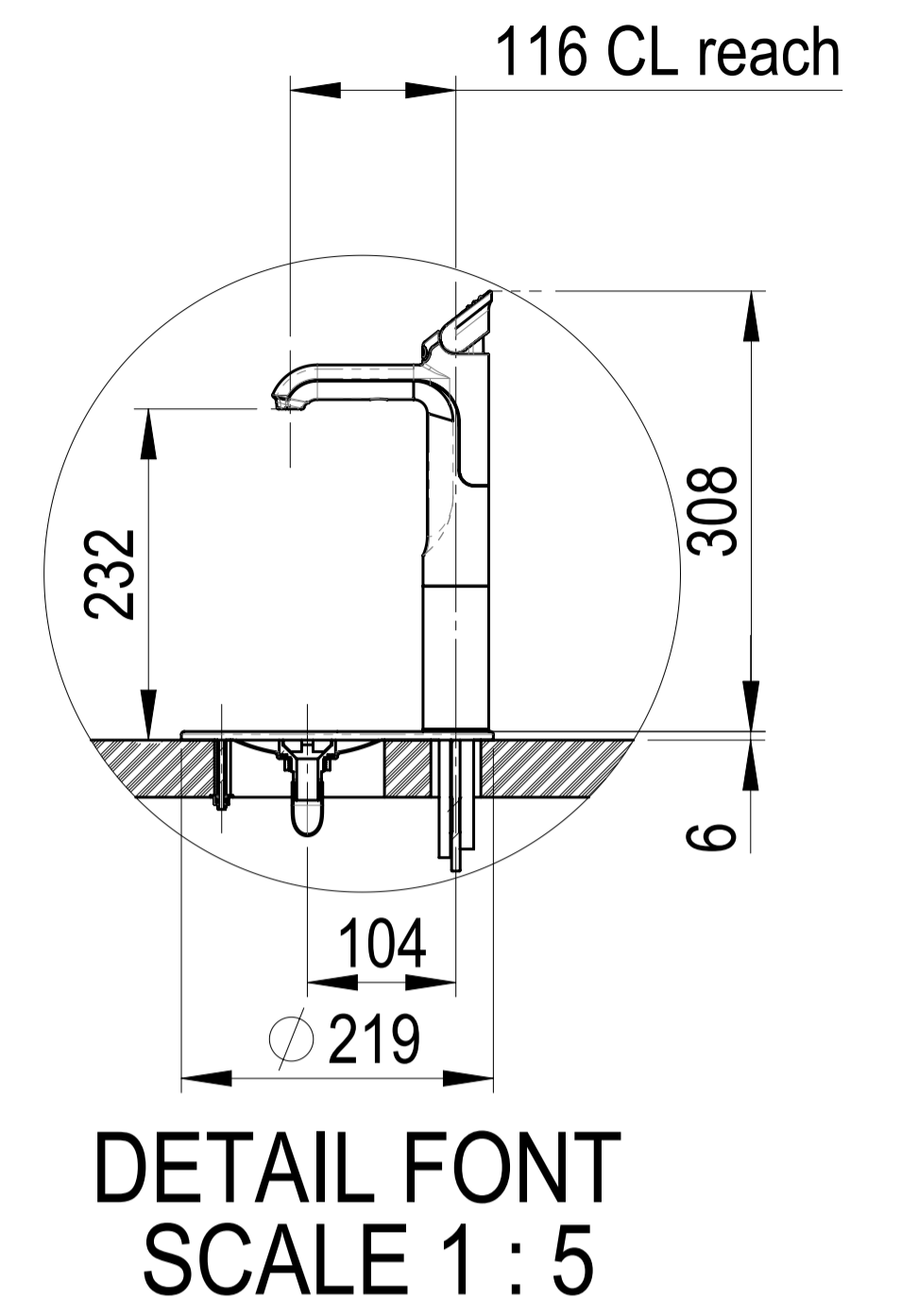
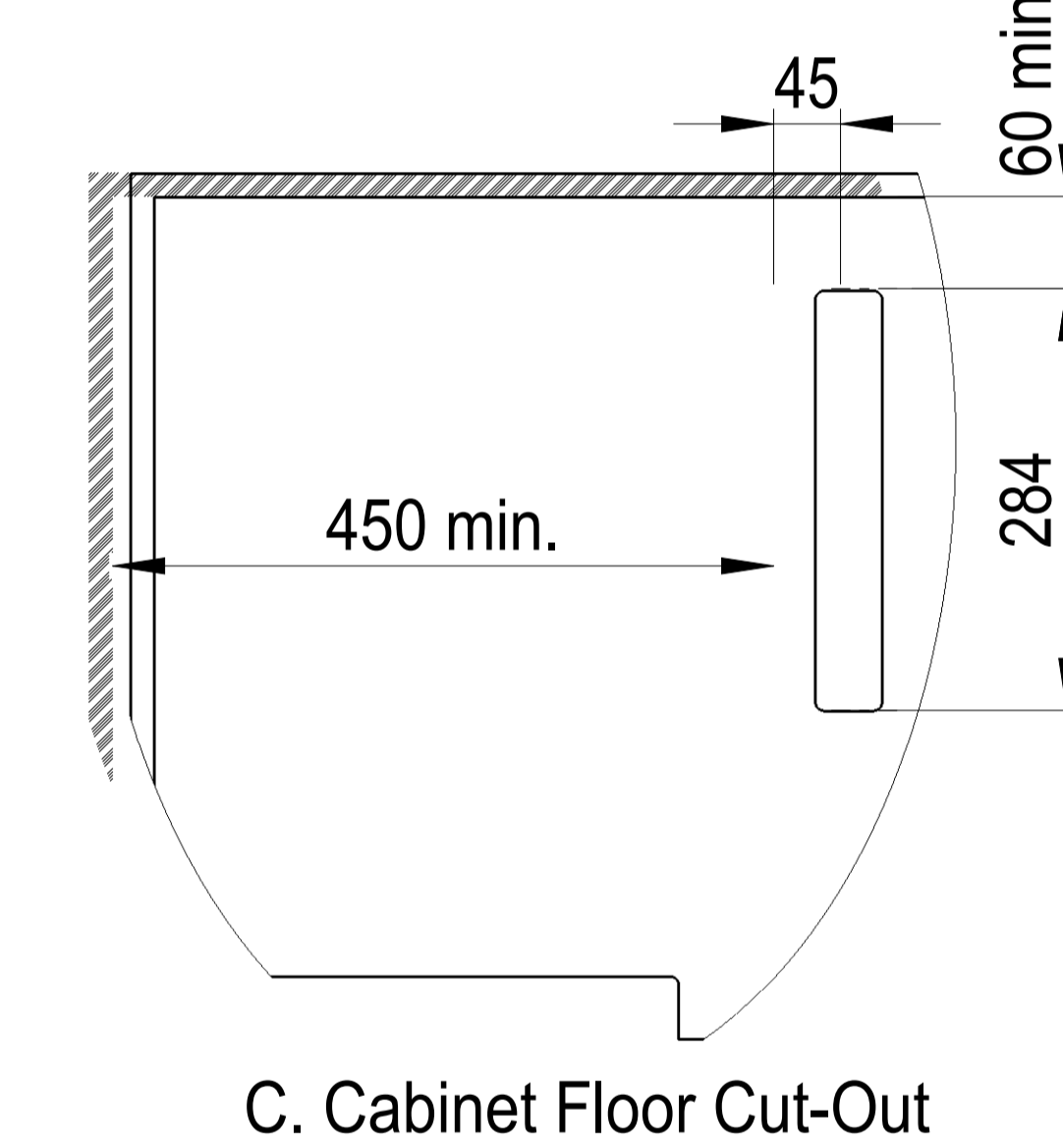
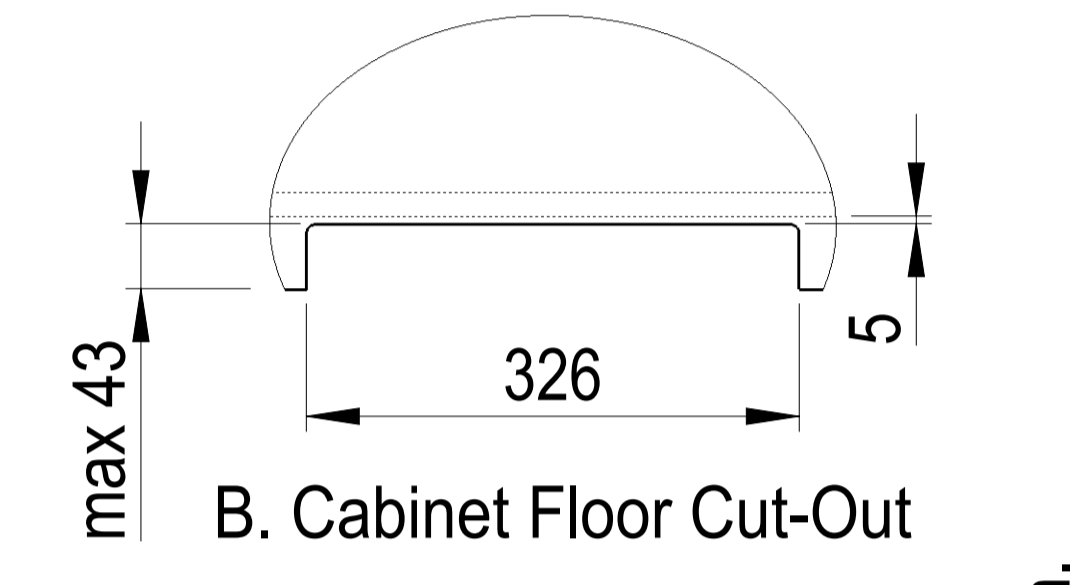
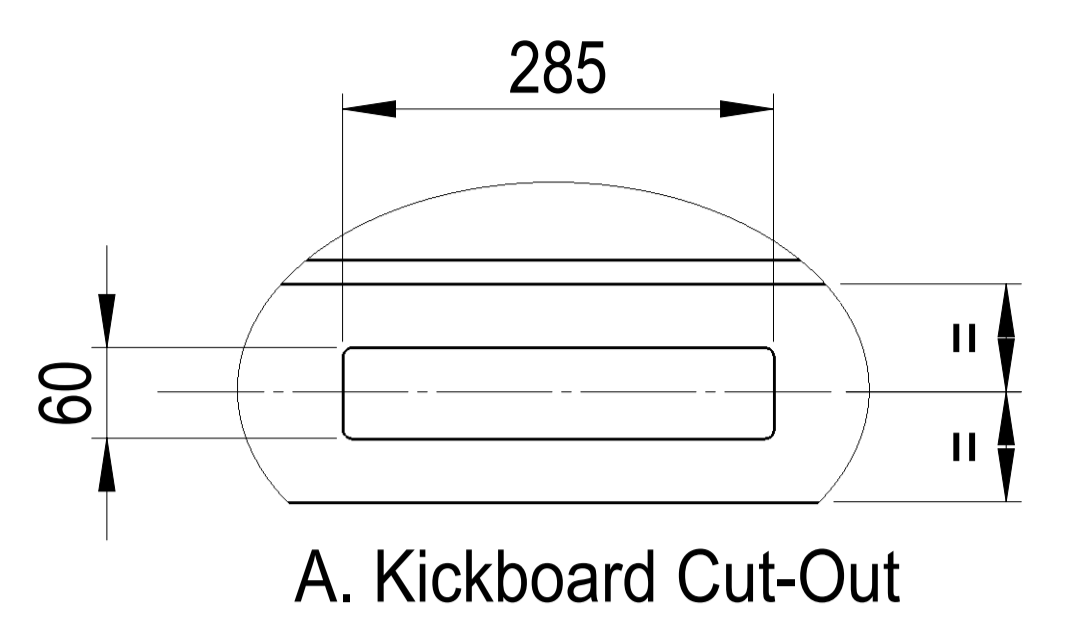
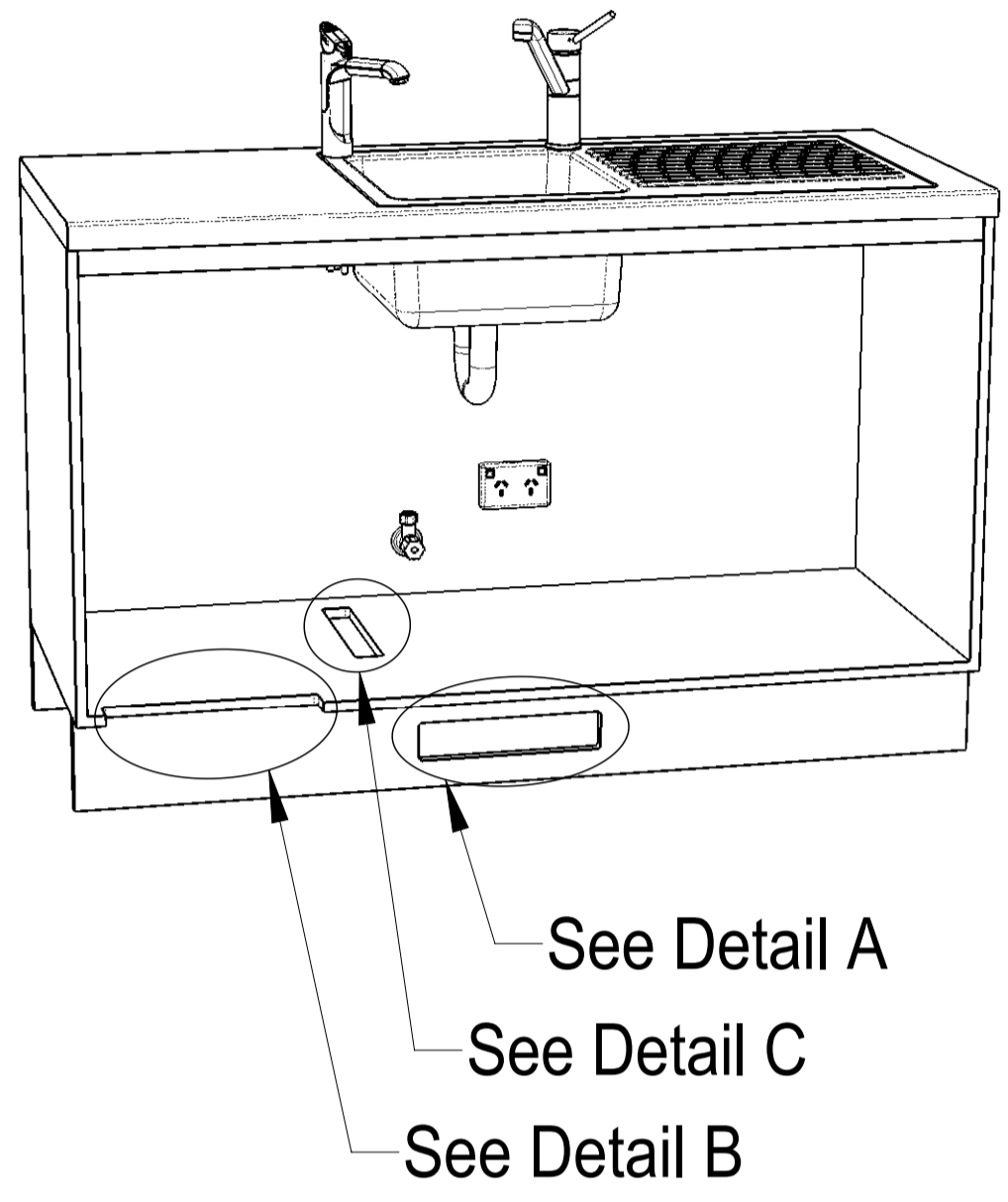
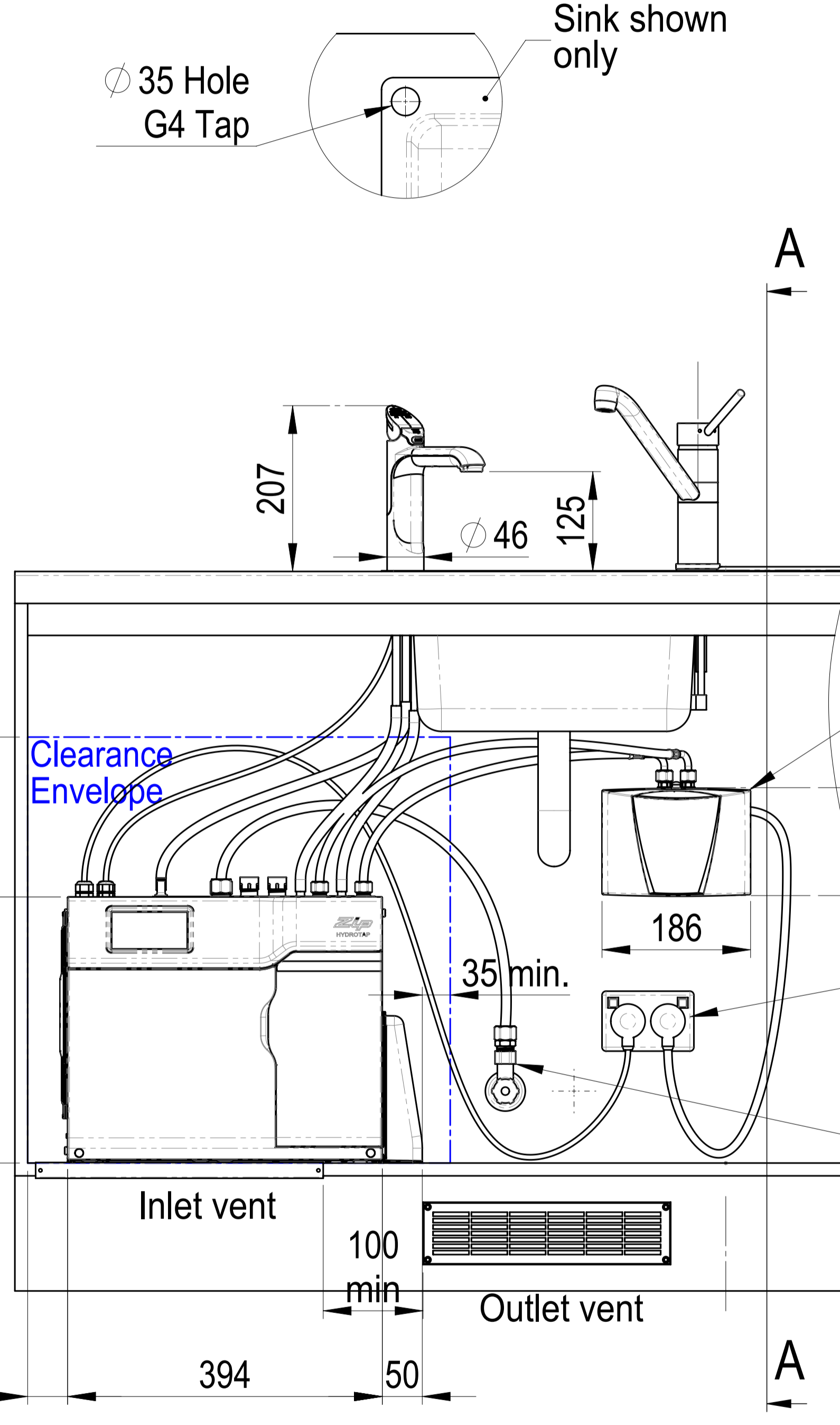


Item Part	Rev	Description	Config	Status	Default Qty	Notes
1	800544-BC	Asy - Tap (Gen IV) Boiling Chilled	800544-BC	Prototype	1	
2	875702	Asy - Tap (4 in 1)	Hot Off	Production	1	
4	800220	Kickboard Fan Grill	Default	Production	1	
5	800221	Air Inlet Grill CF7	Default	Production	1	
13	27200	Zip Hydrotap Booster MK2 2.2kW 15A 230V	Default	Production	1	
17	5161AU	Hydrotap Gen IV BC240/175 Boiling & Chilled w/ Booster	5161AU/BC240_175	Prototype	1	



This drawing is CONFIDENTIAL, and is supplied on the express condition that it shall not be LOANED, COPIED or DISCLOSED to any other third party or used for any purpose without the written consent of Zip Industries Pty Ltd. This document is printed in hardcopy form. It is for INFORMATION ONLY and therefore not subject to updating controls. For the current revision ALWAYS refer to the MATRICE electronic form as stated in the top left hand corner of this sheet. © copyright Zip Industries Pty Ltd. 16/05/2011

Make of Buy: Buy	Approved by: PGM/asm on 22/09/2014	Description: Hydrotap G4 BC240/175 Boiling Chilled W/ Booster
Manufacturing Route: Manufacturing Process	Checked by: PGM/asm on 22/09/2014	Configuration: Default
Raw material: See Components	Updated by: edgar on 23/04/2015 1:52:56 PM	Created by & on: EdgG on 4/05/2011
Remove all sharp edges. This drawing ONLY details information which cannot be ascertained from the 3D geometry of the part(s) attached. Model & dimensions are AFTER all finishing operations.	Material: See Components	Model: KL002_5161AU0H0Z11C
Volume (mm <sup>3</sup> ): 91058.4	Finish: Finish	Project: Hydrotap G4B
Mass (g): 103698.0	Derived from: New	Created by & on: EdgG on 4/05/2011
Density (g/mm <sup>3</sup> ): 1.1	Scale: 1:1	Rev: 01
Sheet: 1 of 1	Status: Prototype	Size: A1

WMKA 00099; CS8328  
 Watermark Exp: 26-10-2017; CS Exp: 18-8-2014

Zip Industries **Zip**