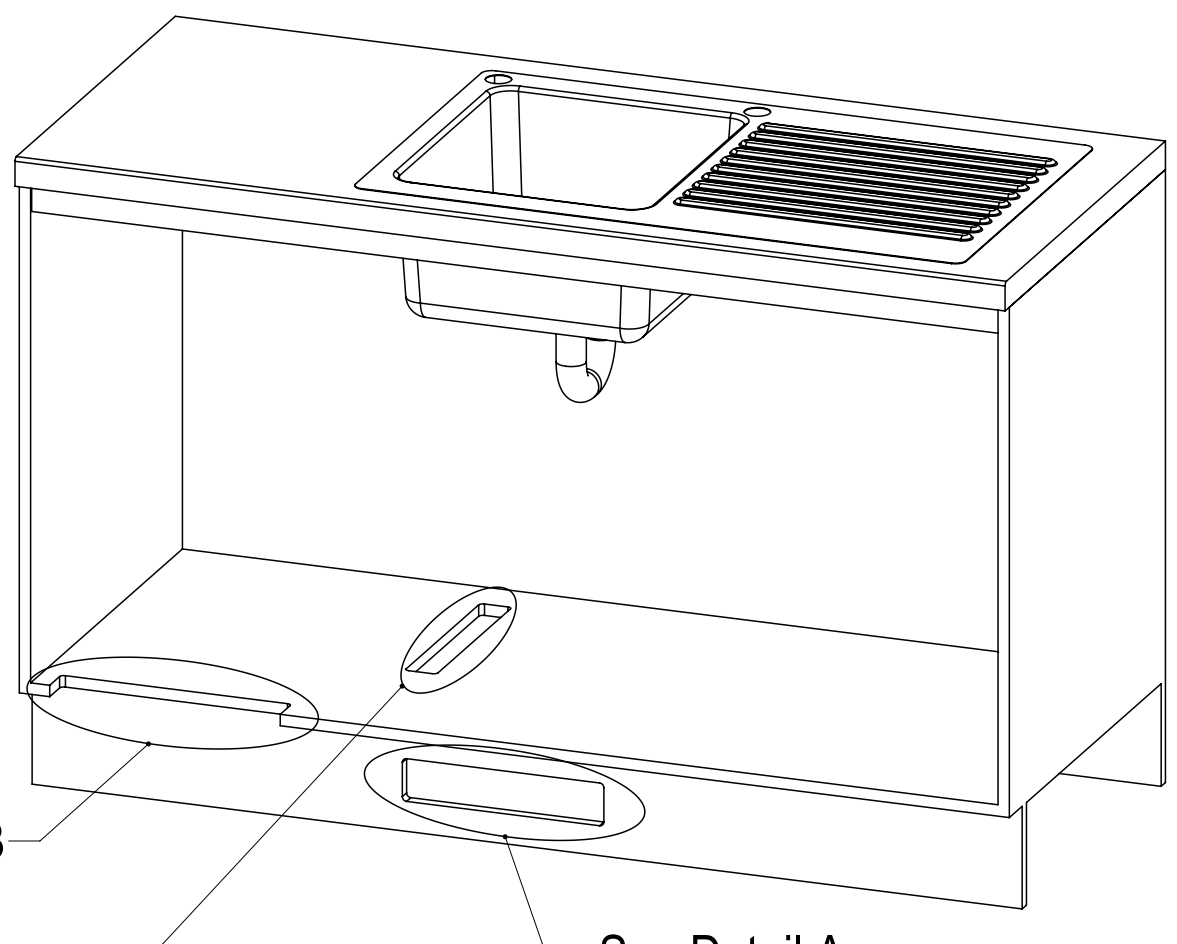
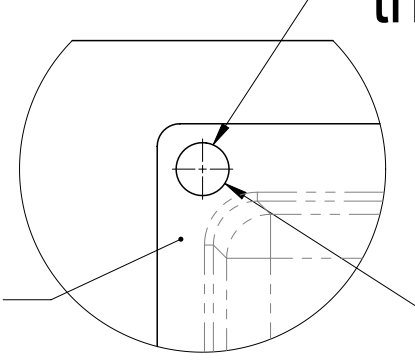


Item	Part	Rev	Description	Status	Qty	Make or Buy?
3	800221	C	Air Inlet Grill CFF	Production	1	Make
5	800220	C	Kickboard Fan Grill	Production	1	Buy
6	27200	A	Zip HydroTap Booster MBX2 2.2kW 10A 230V	Production	1	Buy
9	89953	A00	Reducer X2 3/4" 4"	Design	1	Buy
10	515340	01	HydroTap G4 GPO Spraying BCSHA 240/175	Prototype	1	Buy
15	802433	00	HydroTap Arc Tap	Design	1	Buy
18	93179	A	KI CO2 - 2.8kg Gas (new)	Production	1	Buy
19	93258	A	Regulator CO2 - 2.8kg	Production	1	Buy



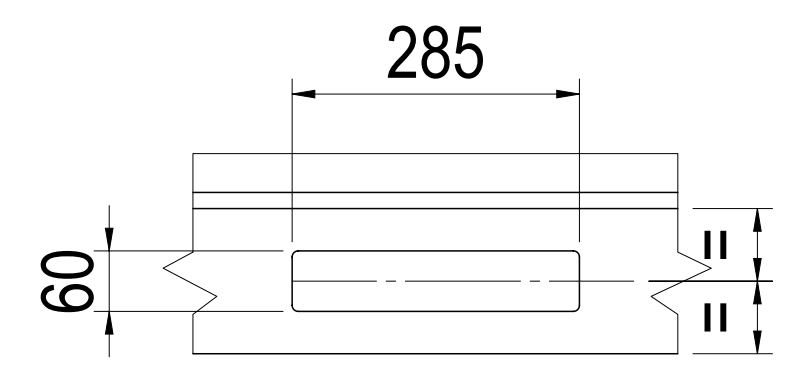
Ventilation Details

Position the Tap such that it dispenses into the sink bowl with ample clearance for a cup or a tea pot. Alternatively, the Tap could be mounted away from the sink using a Zip Font available as an accessory.

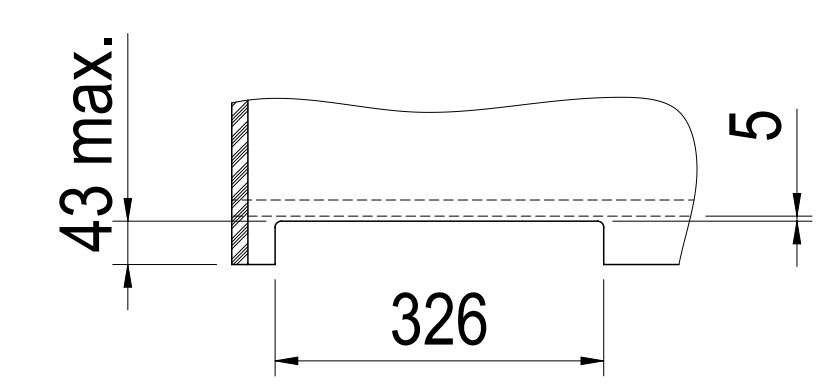


Sink shown only

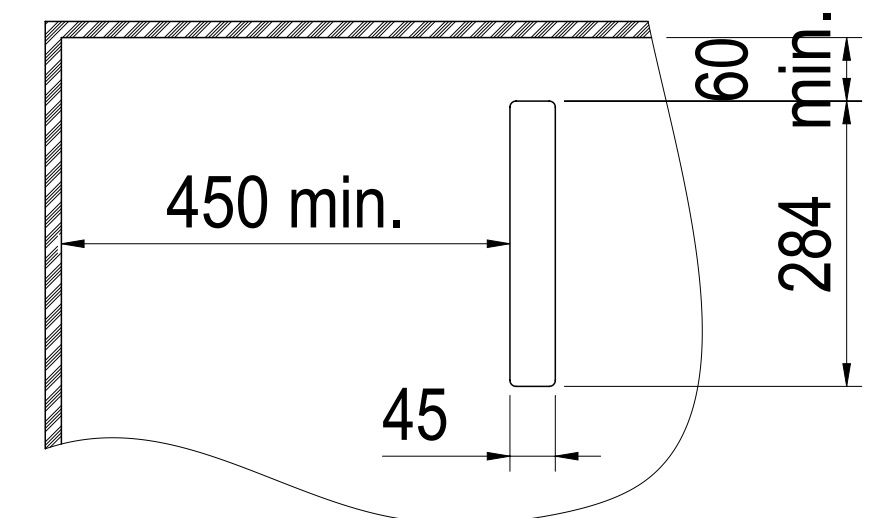
Ø 35 Hole for HydroTap Arc, HydroTap Cube & Elite Taps



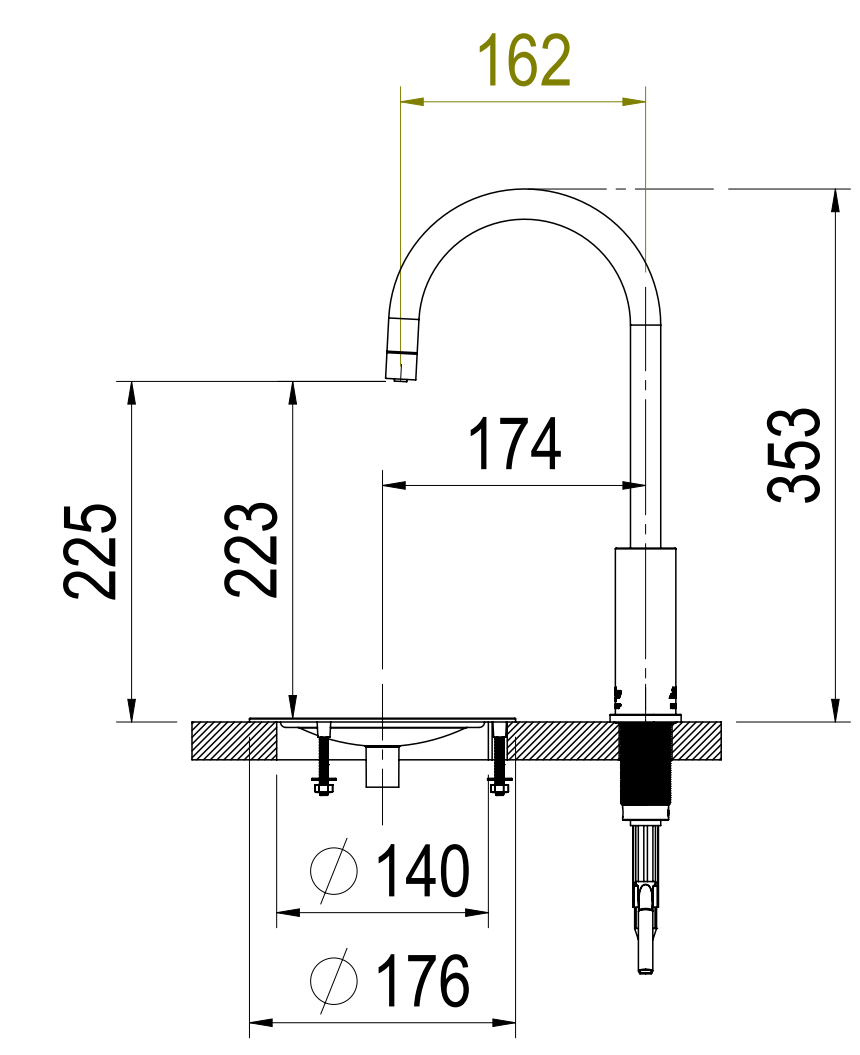
DETAIL A: Kickboard Cut-Out
SCALE 1 : 7.5



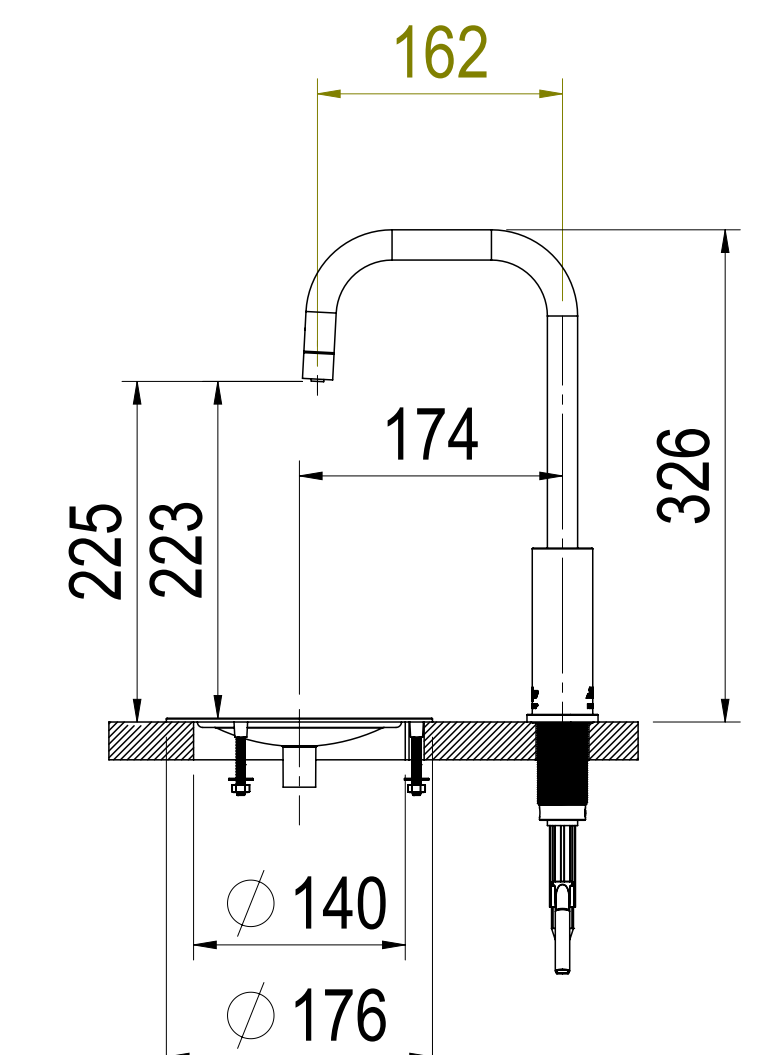
DETAIL B: Cabinet Floor Cut-Out
SCALE 1 : 7.5



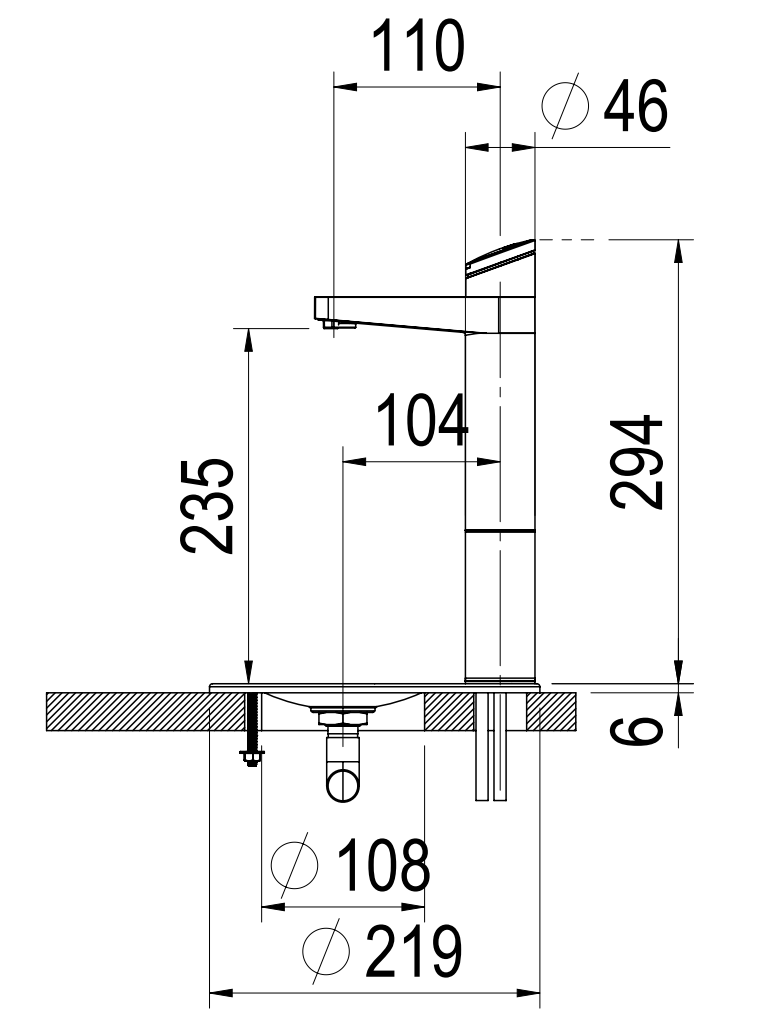
DETAIL C: Cabinet Floor Cut-Out
SCALE 1 : 7.5



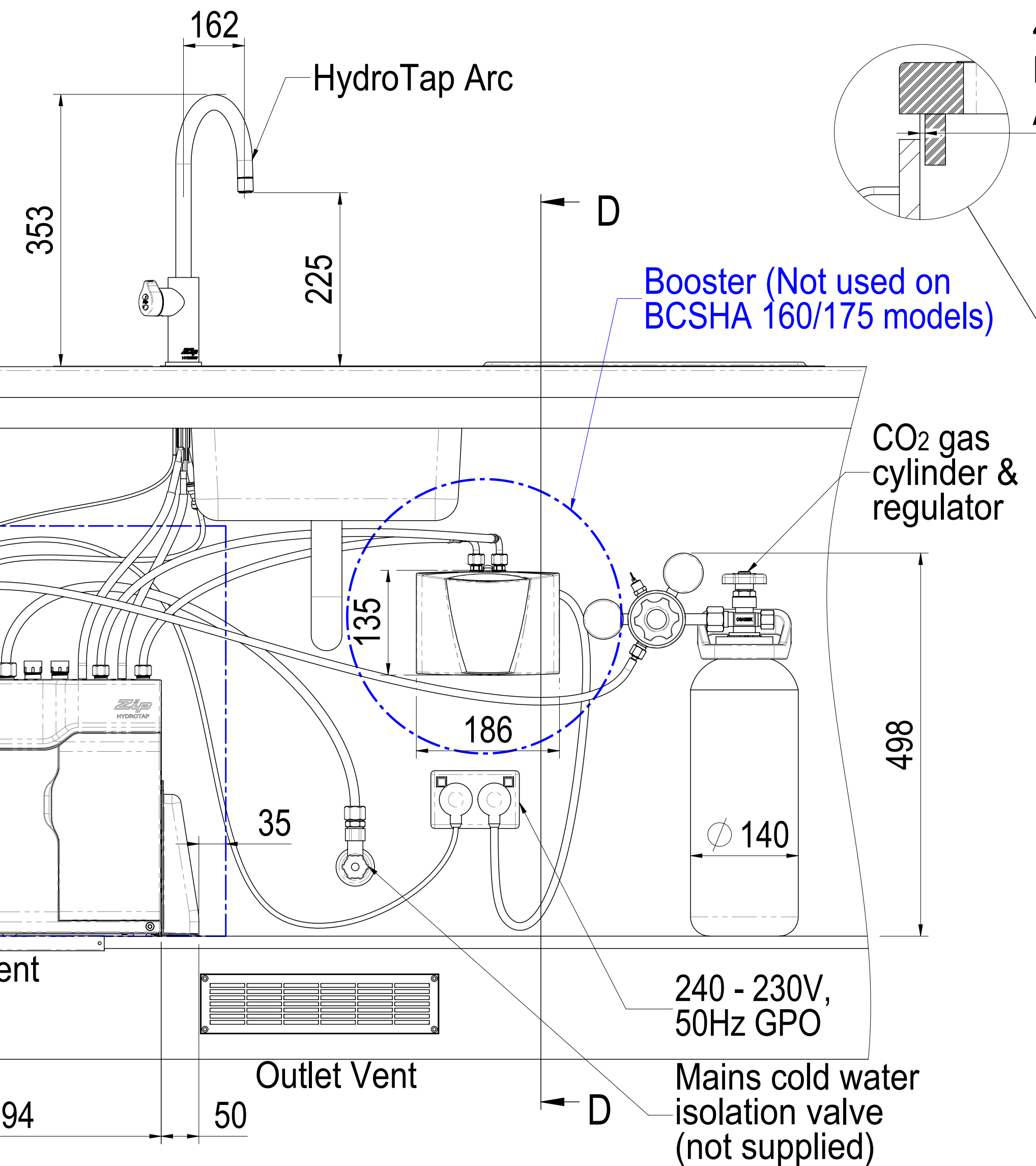
HydroTap Arc with Font



HydroTap Cube with Font

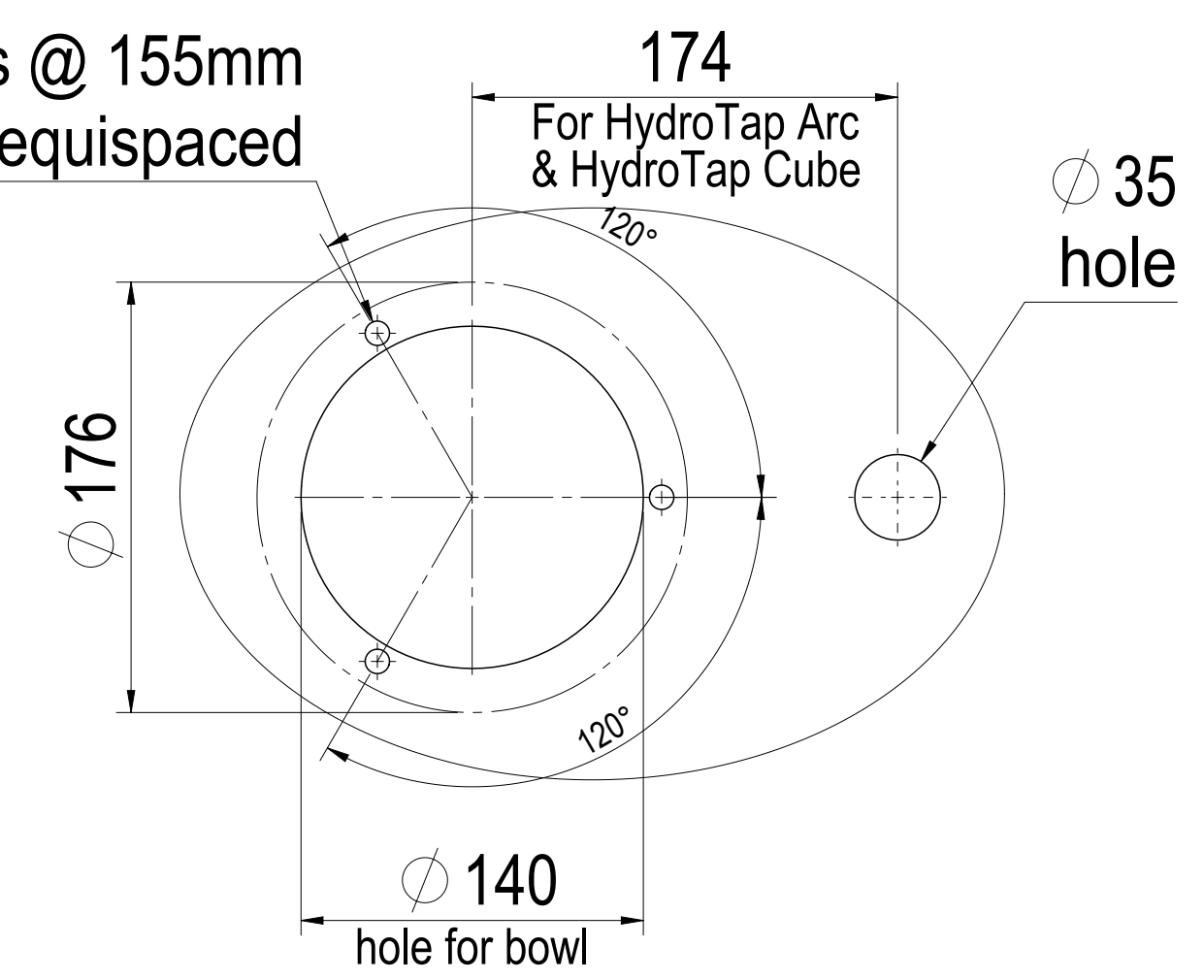


Elite Tap with Font

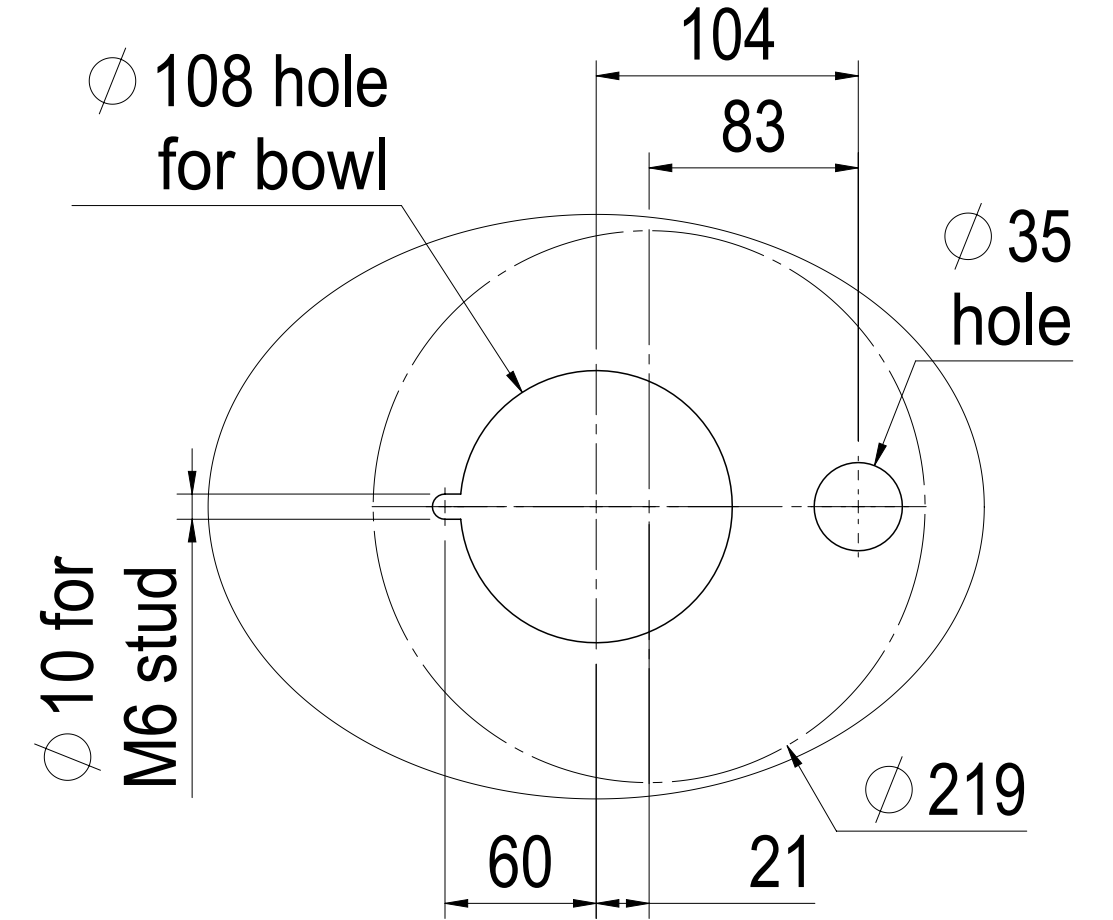


SECTION D-D
SCALE 1 : 5

3- Ø 10 holes @ 155mm P.C.D. equispaced

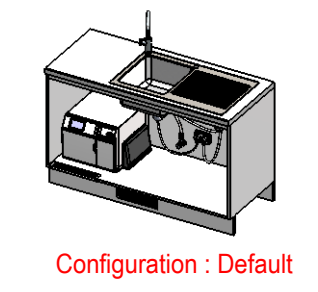


Cutting Detail for HydroTap Arc & HydroTap Cube with Font



Cutting Detail for Elite Tap with Font

- This set-up is applicable to:
- BCS160/175 (Excluding Booster)
 - HT2762: 5053AU0T0ZN1C w/ HydroTap Arc Tap
 - HT3762: 5053AU0U0ZN1C w/ HydroTap Cube Tap
 - HT4762: 5053AU0E4ZN1C w/ Elite Tap
 - BCS240/175 (With Booster)
 - HT2763: 5153AU0T0ZN1C w/ HydroTap Arc Tap
 - HT3763: 5153AU0U0ZN1C w/ HydroTap Cube Tap
 - HT4763: 5153AU0E4ZN1C w/ Elite Tap



Configuration: Default

Zip Industries

This drawing is CONFIDENTIAL and is supplied on the express condition that it shall not be LOANED, COPIED or DISCLOSED to any other third party or used for any purpose without the written consent of Zip Industries Pty Ltd. This document is prepared in electronic form. It is for INFORMATION ONLY and therefore not subject to loading controls. For the current revision ALWAYS refer to the MATRIC document form as stated in the top left hand corner of this sheet. © copyright Zip Industries Pty Ltd. 2014/2015

Make or Buy: Buy	Approved by: Unapproved on 10/12/2011	Checked by: Unchecked on 10/12/2011	Drawn by: EdgG on 4/05/2011
Manufacturing Route: Manufacturing Process	Updated by: edg on 8/05/2015 10:22:59 AM	Project: HydroTap G4B	Configuration: Default
Raw material: See Components	Material: KL002_5153AU0T0ZN1C	Created by & on: EdgG on 4/05/2011	Rev: 00
Remove all sharp edges. This drawing ONLY details information which cannot be ascertained from the 3D geometry of the part(s) attached. Model & dimensions are AFTEC all finishing operations.	Finish: EdgG on 29/05/2015	Model: KL002_5153AU0T0ZN1C	Size: A1
Volume: 1.000000	Area: 136111.6	Derived from: New	Colour: Colourless
Mass: 93001.3	Density: 1.1	Scale: 1:1	Sheet: 1 of 1

WMKA 00099; CS8328
Watermark Exp: 26-10-2017; CS Exp: 18-8-2014

Zip Industries **Zip**

Assy - Kitchen Layout (HydroTap G4 BCS240/175 unit & HydroTap Arc, Cube or Elite Tap w/ Booster)