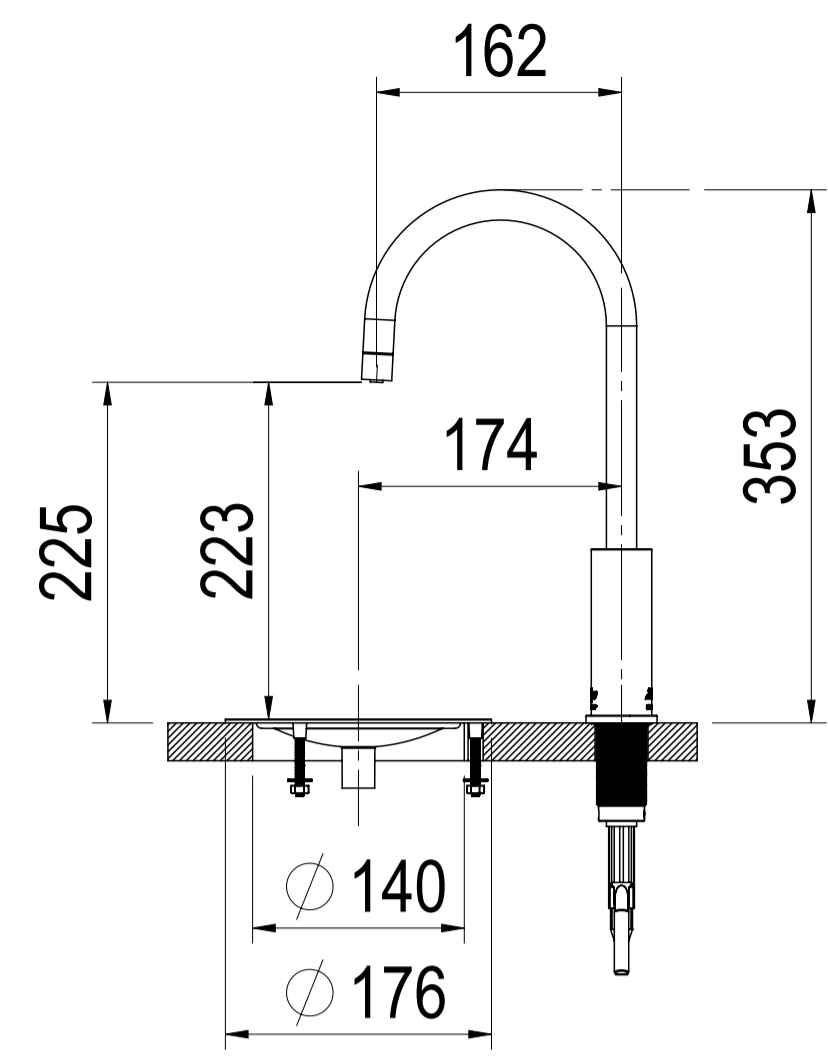
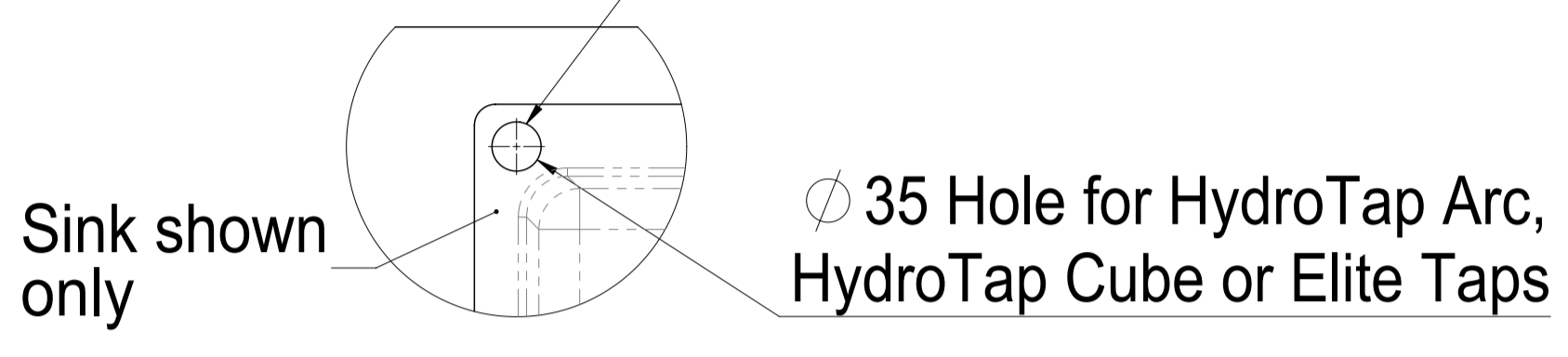
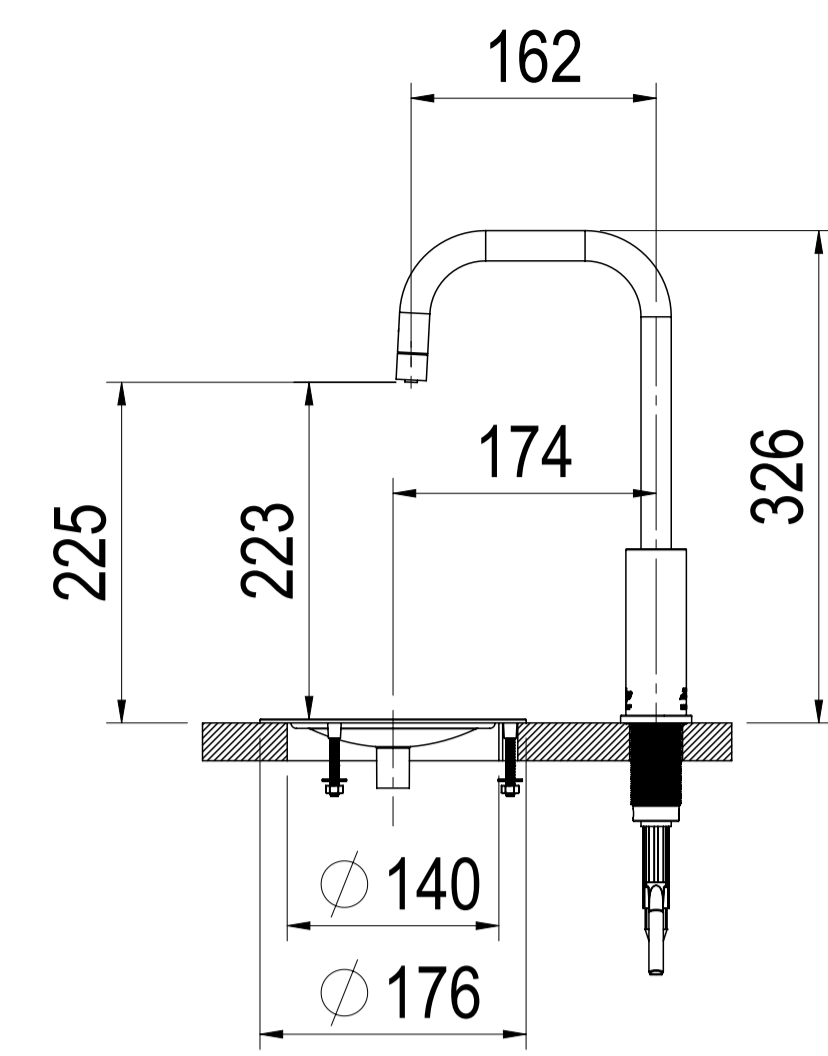


Item	Part	Rev	Description	Status	Qty	Make or Buy?
4	802433	00	HydroTap Arc Tap	Design	1	Buy
6	27200	A	Zip HydroTap Booster MBX2 2.2kW 10A 230V	Production	1	Buy
8	5101AU	01	HydroTap Gen IV BF240 with Booster	Boiling Ambient Prototype	1	Buy
9	800220	C	Keyboard Fan Grill	Production	1	Buy
10	800221	C	Air Inlet Grill CFF	Production	1	Make

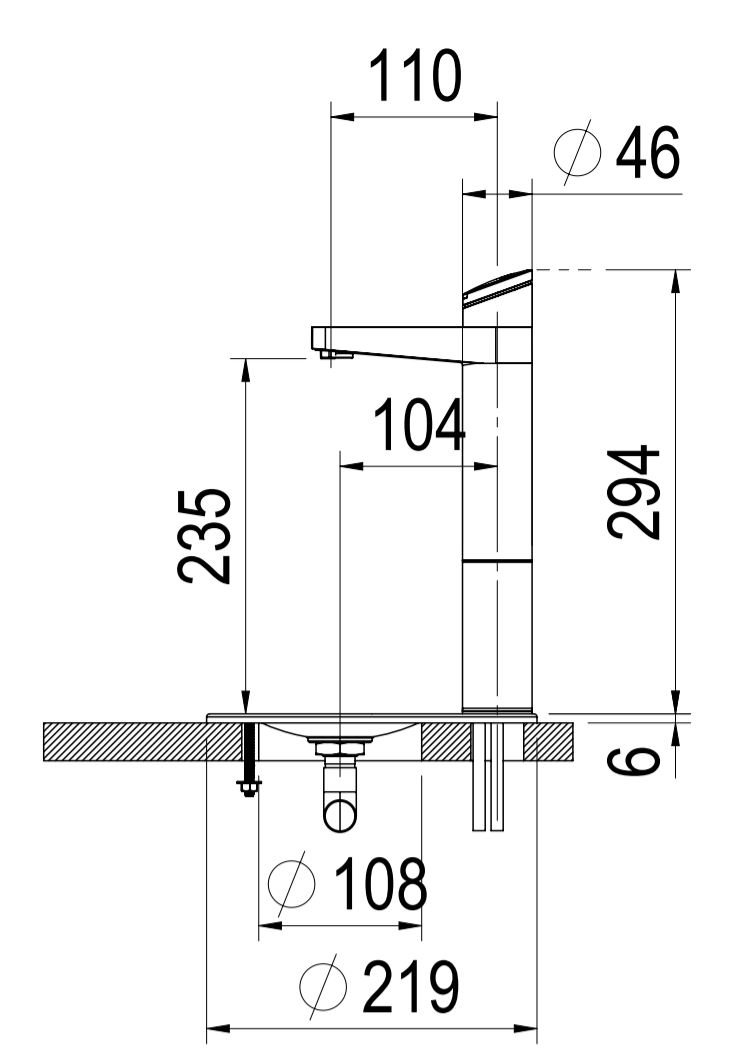
Position the Tap such that it dispenses into the sink bowl with ample clearance for a cup or a tea pot. Alternatively, the Tap could be mounted away from the sink using a Zip Font available as an accessory.



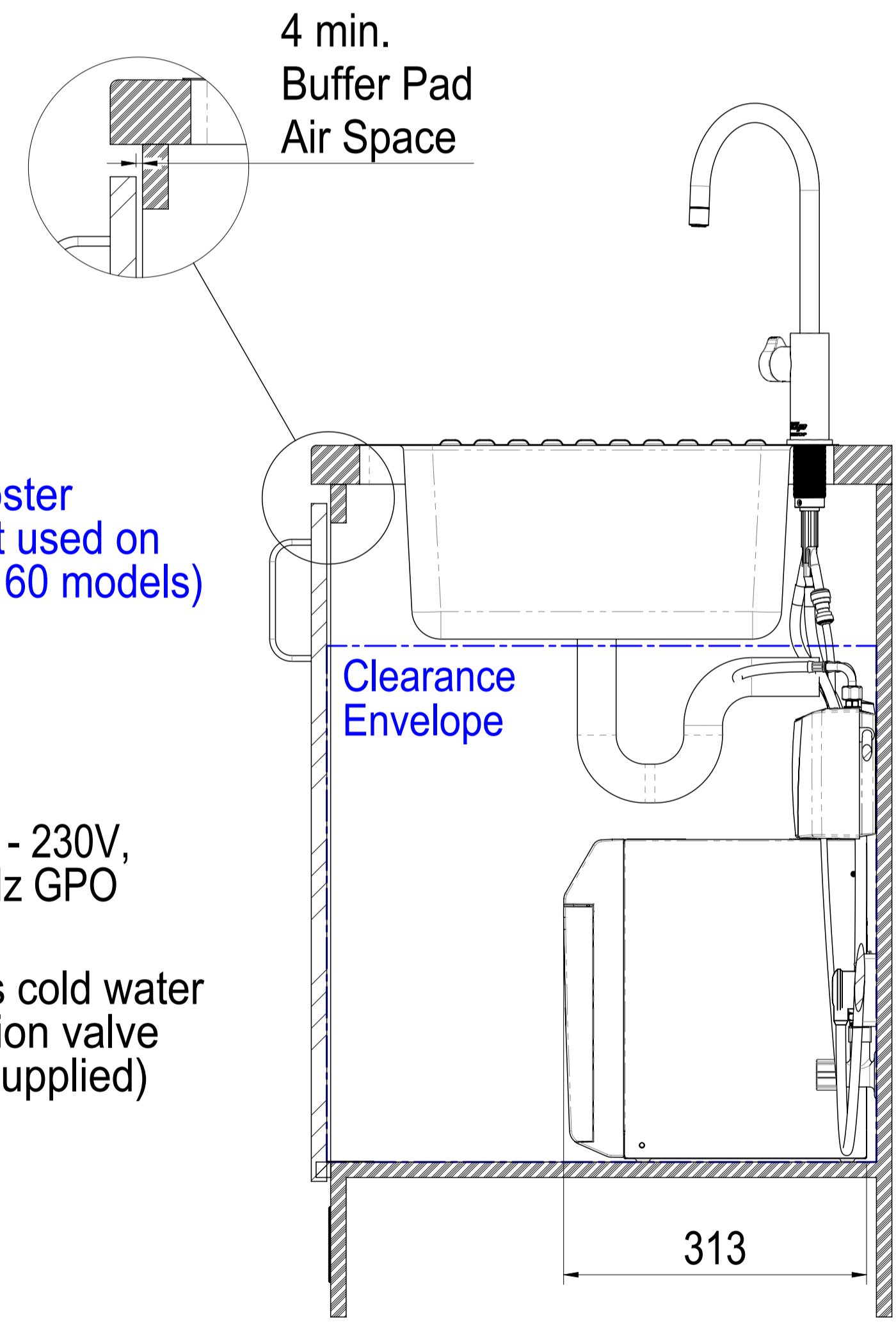
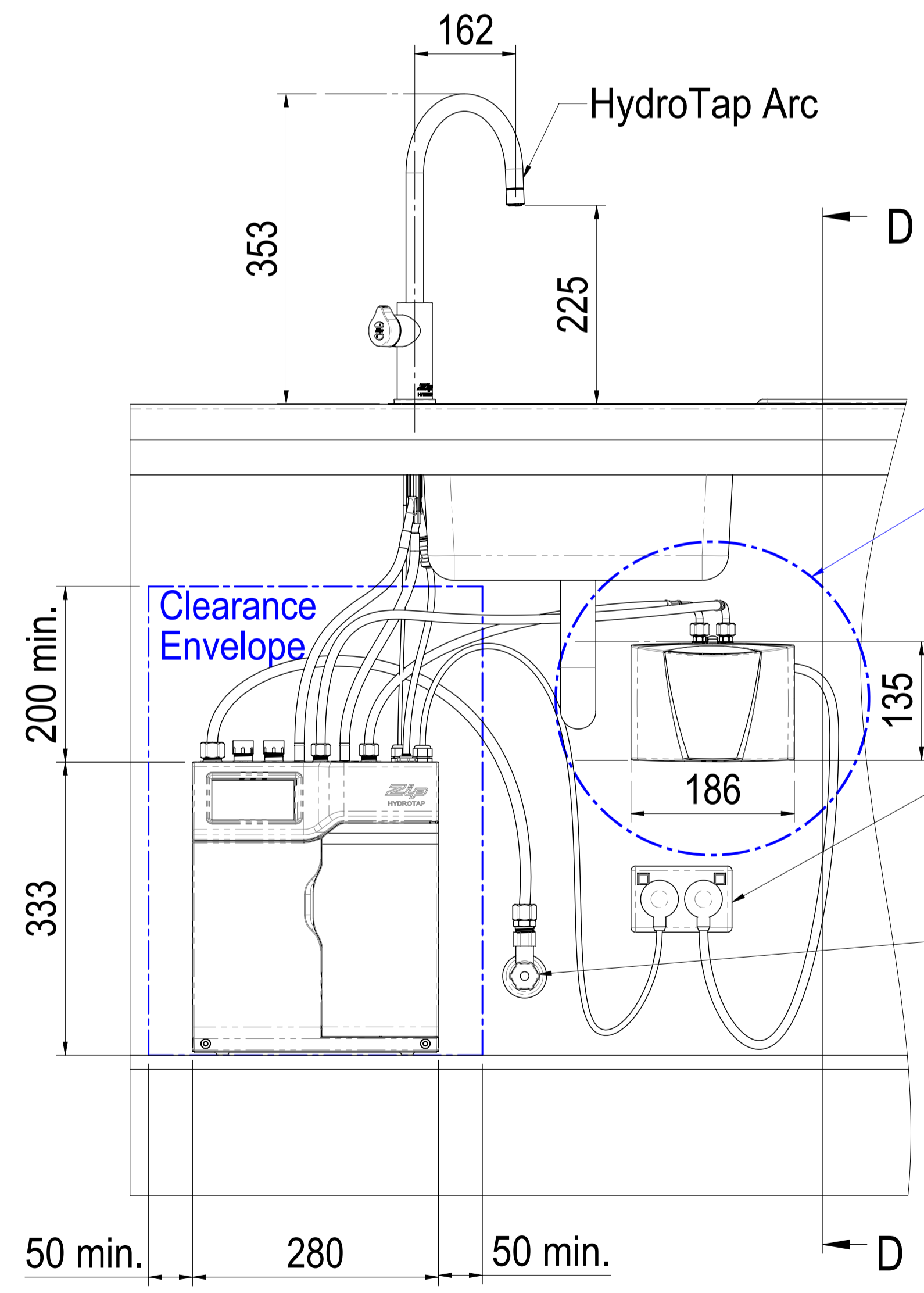
HydroTap Arc with Font



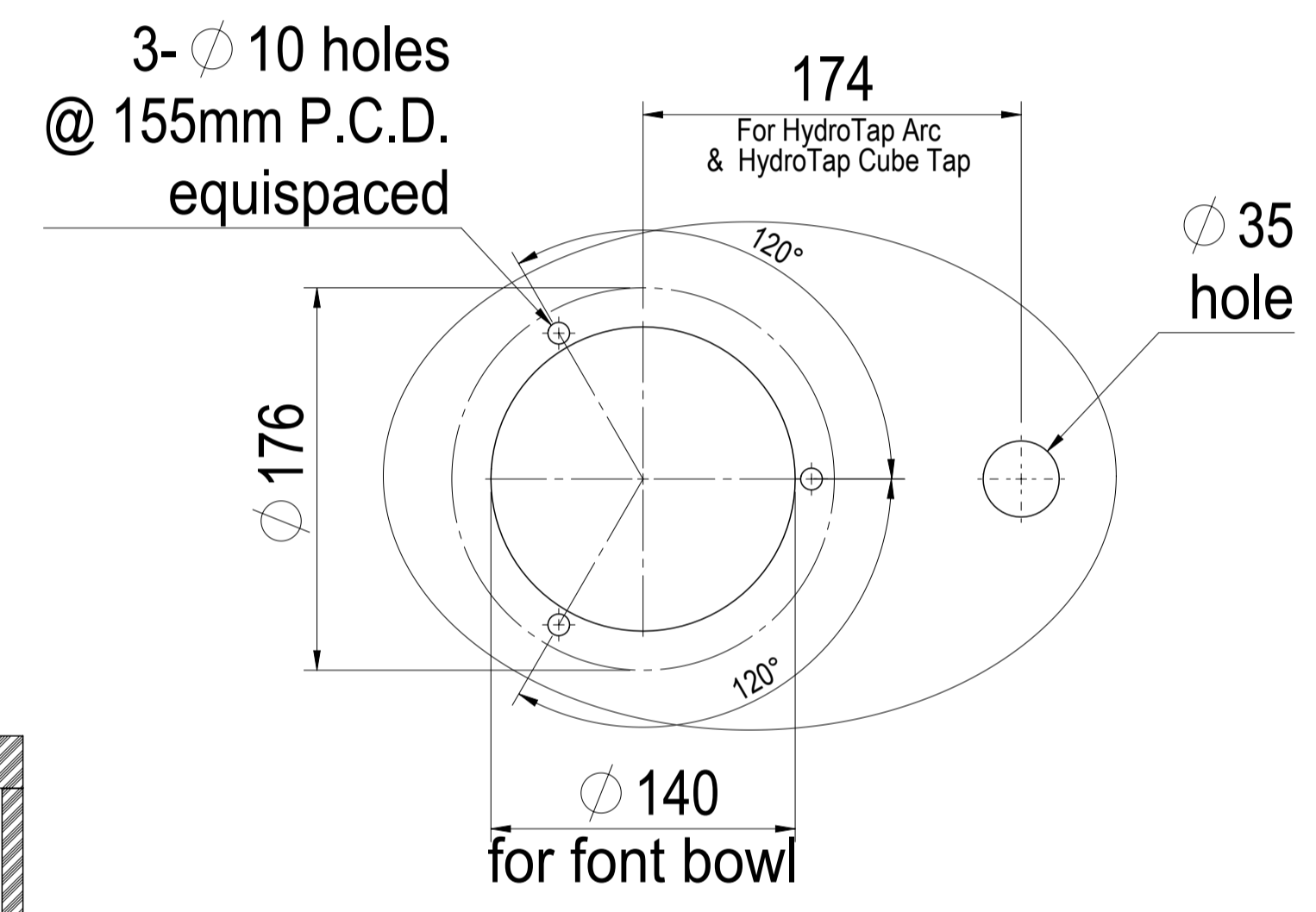
HydroTap Cube with Font



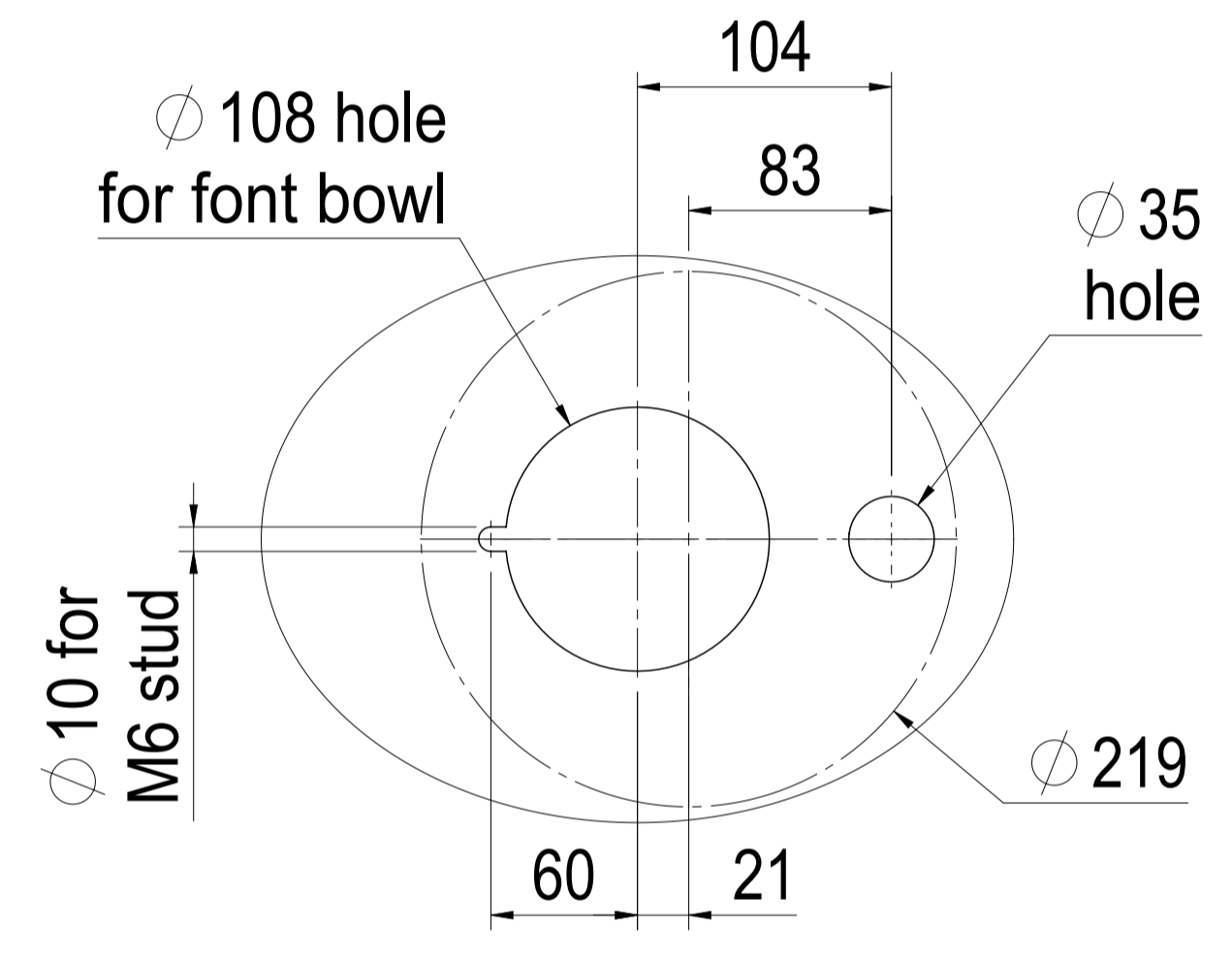
Elite Tap with Font



SECTION D-D
SCALE 1 : 5

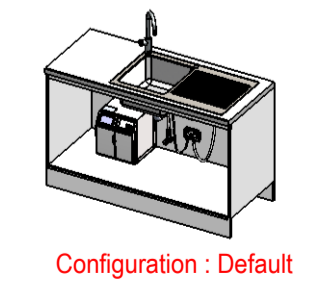


Cutting Detail for HydroTap Arc or Cube Tap with Font



Cutting Detail for Elite Tap with Font

This set-up is applicable to:
 BA160 (Excluding Booster)
 HT2708: 5001AU0T0ZN1C w/ HydroTap Arc Tap
 HT3708: 5001AU0U0ZN1C w/ HydroTap Cube Tap
 HT4708: 5001AU0E2ZN1C w/ Elite Tap
 BA240 (With Booster)
 HT2709 5101AU0T0ZN1C w/ HydroTap Arc Tap
 HT3709 5101AU0U0ZN1C w/ HydroTap Cube Tap
 HT4709 5101AU0E2ZN1C w/ Elite Tap



Configuration : Default

<p>This drawing is CONFIDENTIAL and is supplied on the express condition that it shall not be LOANED, COPIED or DISCLOSED to any other third party or used for any purpose without the written consent of Zip Industries Pty Ltd. This document is printed in hardcopy form. It is for INFORMATION ONLY and therefore not subject to updating controls. For the current revision ALWAYS refer to the MATRICE electronic form as detailed in the top left hand corner of this sheet. © copyright Zip Industries Pty Ltd. 2014/01/15</p>		<p>Zip Industries Zip</p>	
<p>Manufacturing Instructions</p>		<p>Approved by: Unapproved on 10/12/2011</p>	
<p>Make or Buy: Buy</p>		<p>Checked by: Unchecked on 10/12/2011</p>	
<p>Manufacturing Route: Manufacturing Process</p>		<p>Updated by: edgar on 09/02/2015 8:20:36 AM</p>	
<p>Raw material: See Components</p>		<p>Material: See Components</p>	
<p>Remove all sharp edges. This drawing ONLY details information which cannot be ascertained from the 3D geometry of the part(s) attached. Model & dimensions are APFEEZ all finishing operations.</p>		<p>Project: HydroTap G4B</p>	
<p>Comments:</p>		<p>Model: KL002_5101AU0T0ZN1C</p>	
<p>Volume: 70772</p>		<p>Created by & on: Edgard on 29/02/2015</p>	
<p>Mass: 86673.3</p>		<p>Created by & on: Edgard on 29/02/2015</p>	
<p>Recyclable? NO</p>		<p>Derived from: New</p>	
<p>Handed? NO</p>		<p>Colour: Colourless</p>	
<p>Scale: 1:1</p>		<p>Size: A1</p>	
<p>Sheet: 1 of 1</p>		<p>Status: Prototype</p>	
<p>Watermark Exp: 26-10-2017, CS Exp: 18-8-2014</p>		<p>Config: Property</p>	