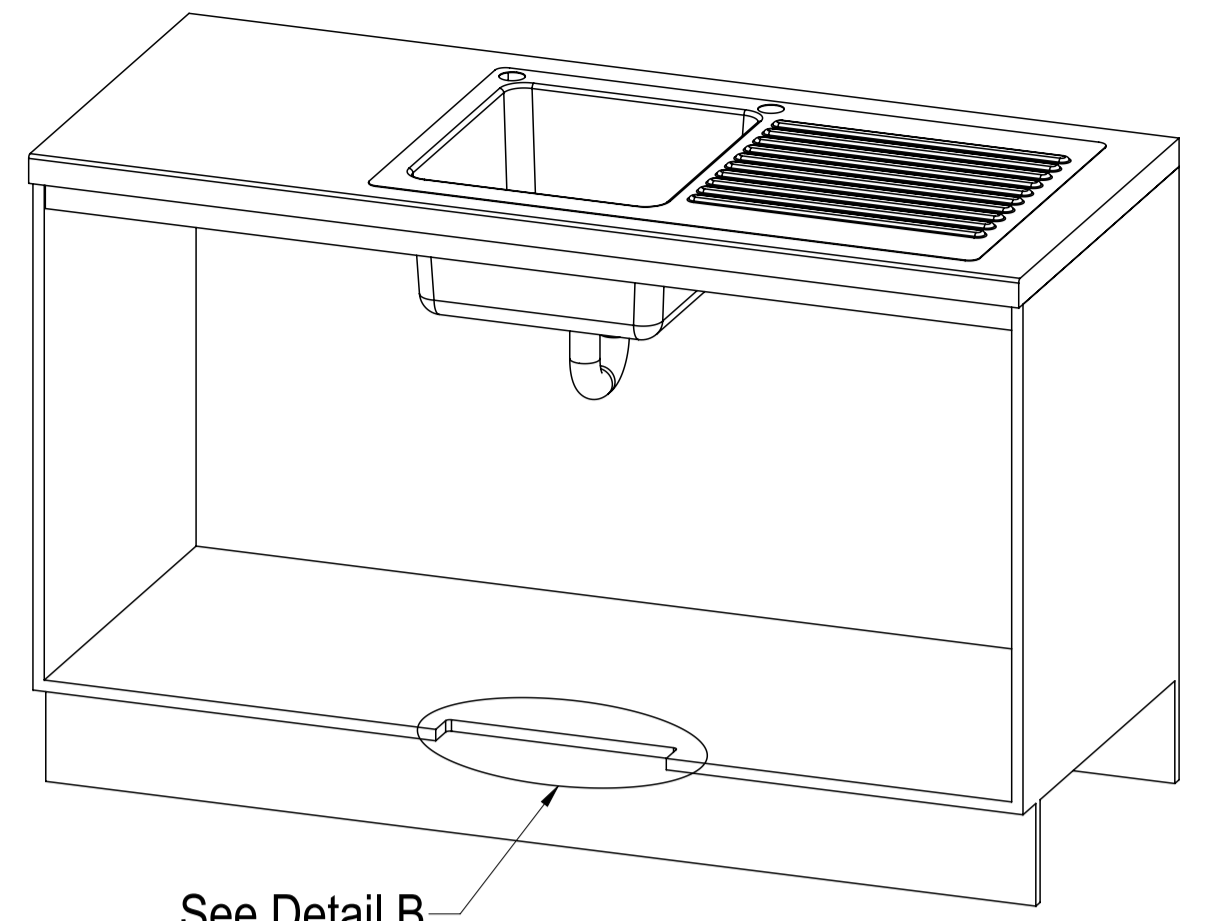
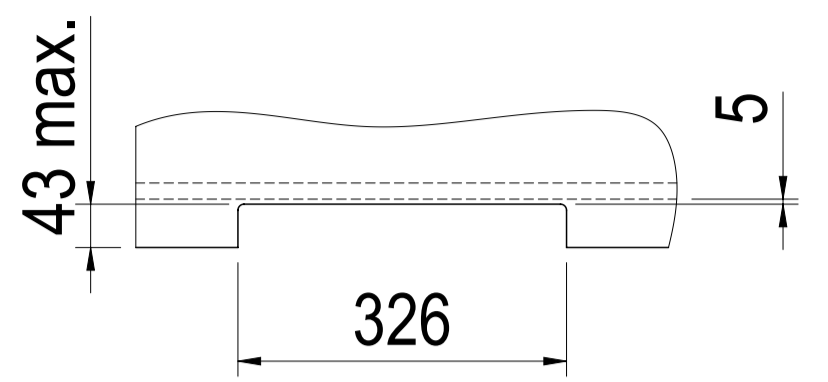


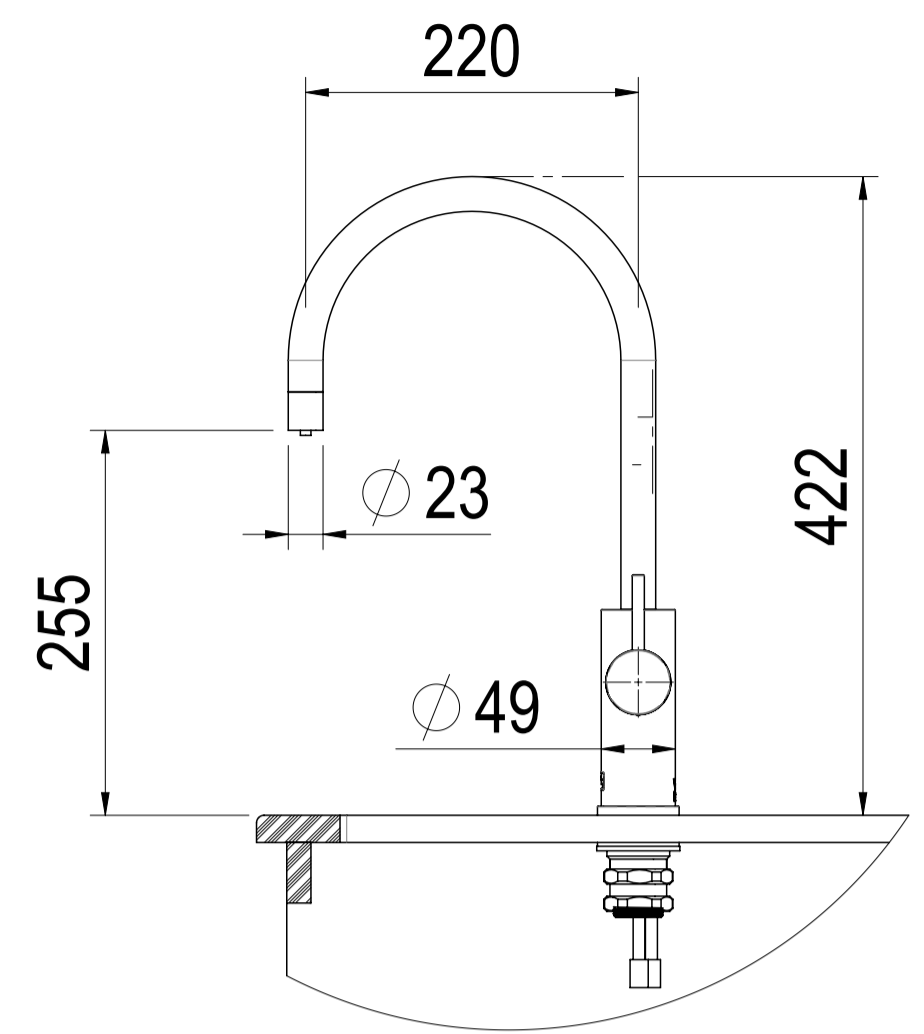
Item	Part	Rev	Description	Status	Qty	Make or Buy?
5	27200	A	Zip HydroTap Booster	Production	1	Buy
7	5100AU	01	HydroTap Gen IV B240 Booster	Boiling Only with	1	Make
8	802099	00	Celsius Arc Tap - Boiling	Design	1	Buy
17	800220	C	Kickboard Fan Grill	Production	1	Buy
18	800221	C	Air Inlet Grill CFF	Production	1	Make
19	84451	A	Tap 1/2" BSP Female (Brass)	Production	1	Buy
20	A2451	A	Water Inlet (Corporate Standard)	Production	1	Buy



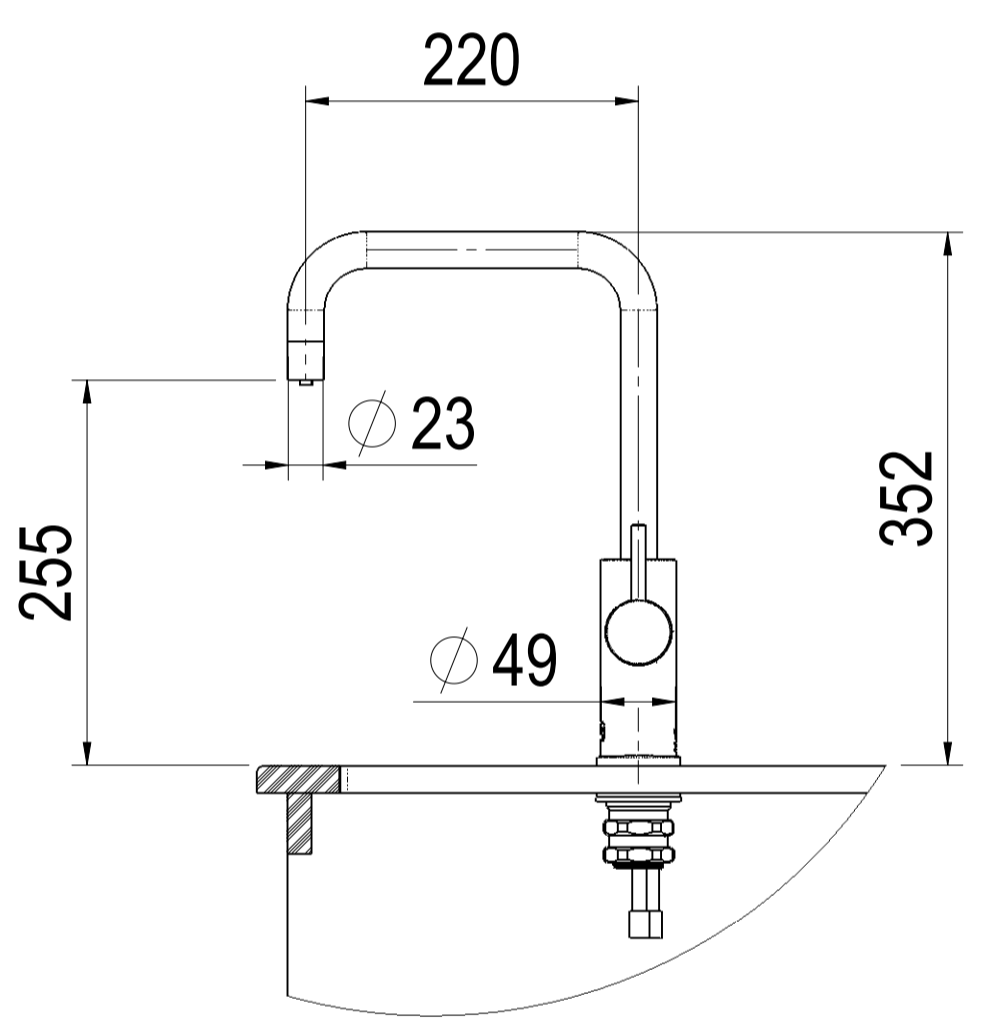
Ventilation Details



DETAIL B: Cabinet Floor Cut-Out
SCALE 1 : 7.5

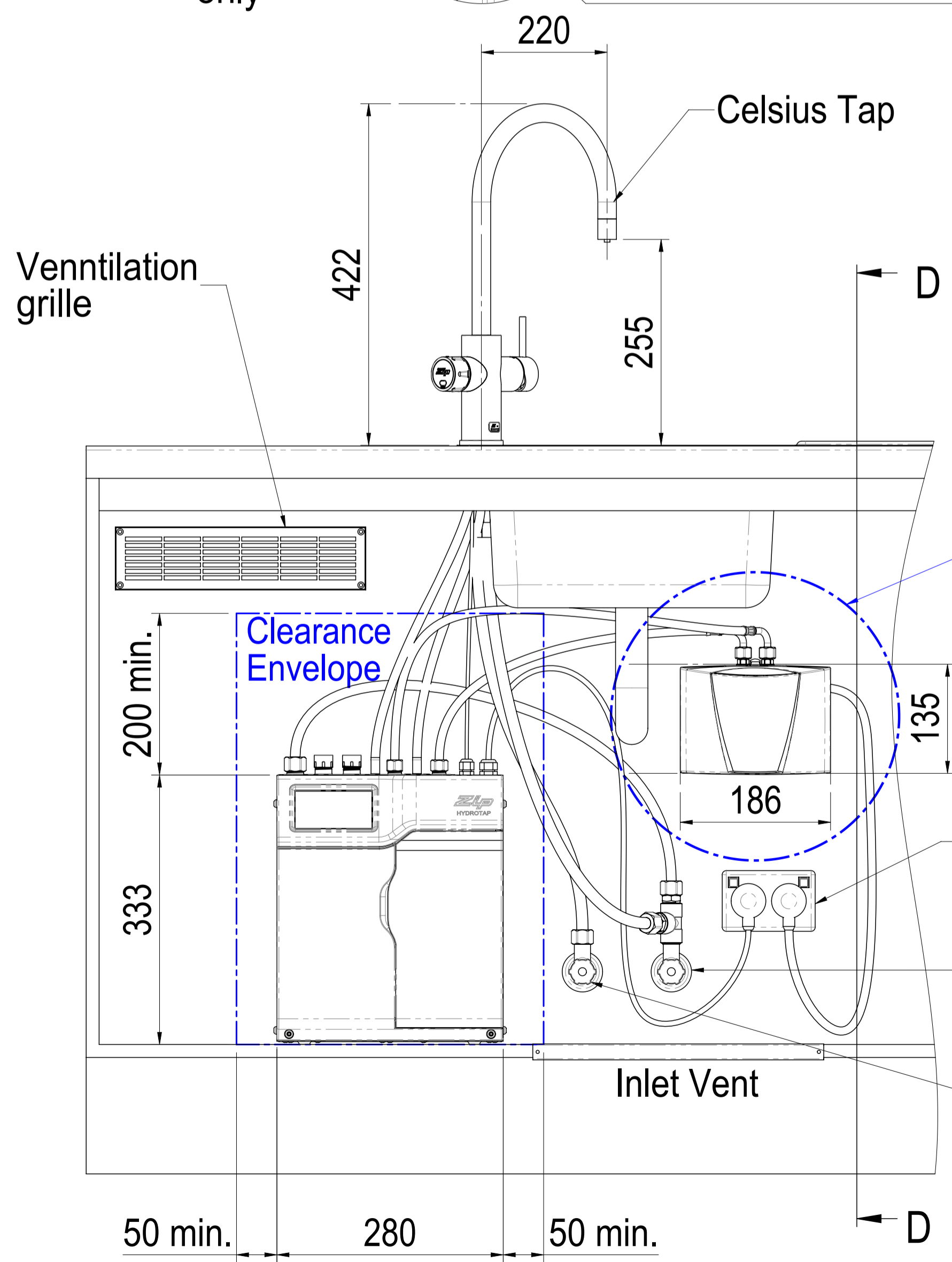


Celsius Arc Tap Option



Celsius Cube Tap Option

Position the Tap such that it dispenses into the sink bowl with ample clearance for a cup or a tea pot.



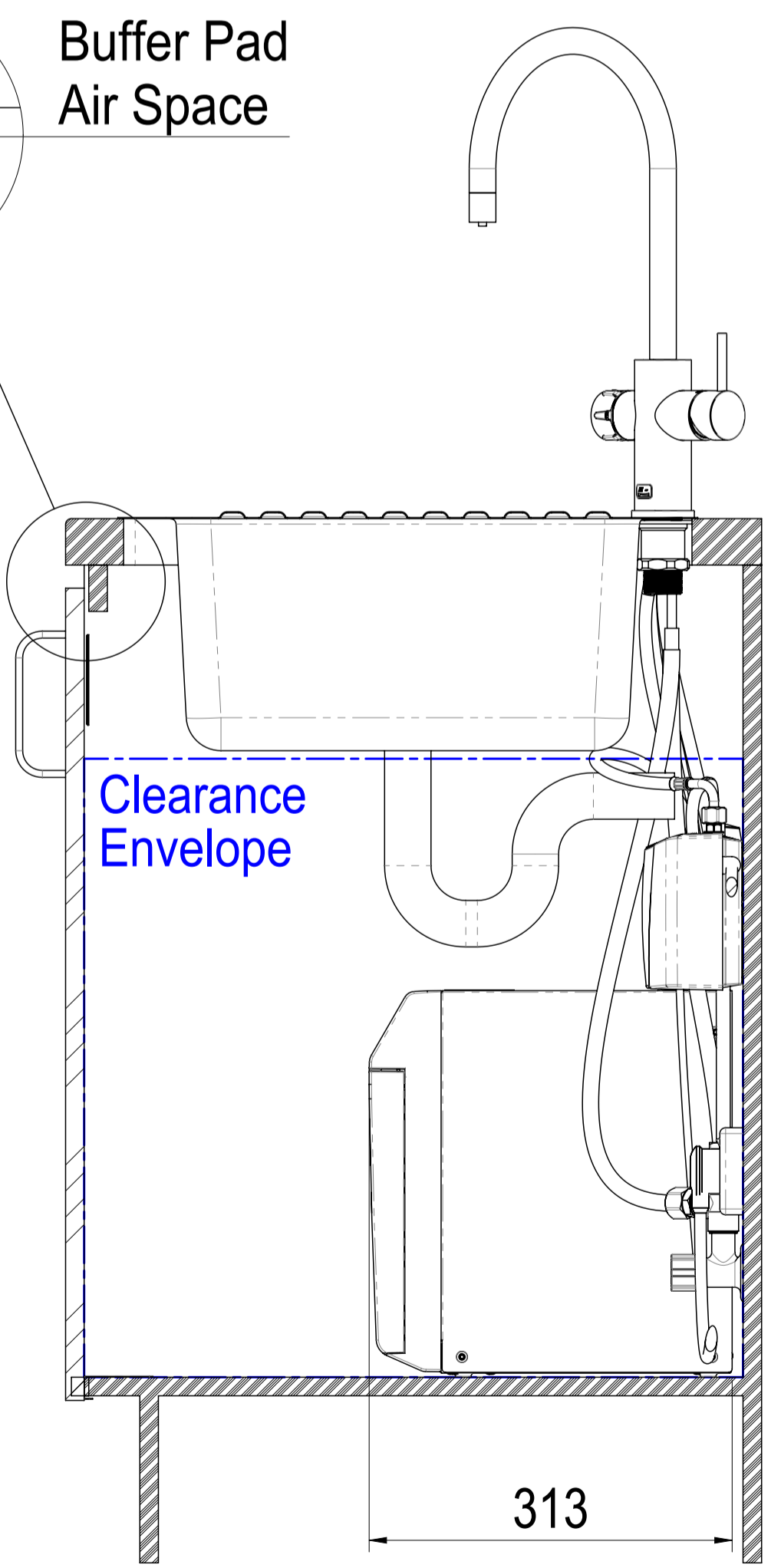
Booster (Not used on B160 models)

240 - 230V, 50Hz GPO

Mains cold water isolation valve (not supplied)

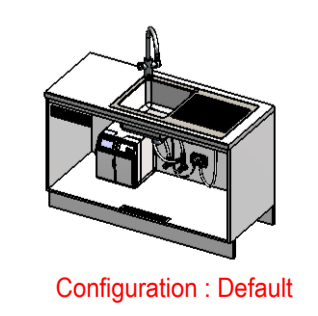
Hot water from domestic heater isolation valve (not supplied)

4 min. Buffer Pad Air Space



SECTION D-D
SCALE 1 : 5

This set-up is applicable to:
 B160 (Excluding Booster)
 MT2760: 5000AU0C0ZN1C w/ Celsius Arc Tap
 MT3760: 5000AU0C1ZN1C w/ Celsius Cube Tap
 B240 (With Booster)
 MT2761: 5100AU0C0ZN1C w/ Celsius Arc Tap
 MT3761: 5100AU0C1ZN1C w/ Celsius Cube Tap



Configuration : Default

<p>This drawing is CONFIDENTIAL and is supplied on the express condition that it shall not be LOANED, COPIED or DISCLOSED to any other third party or used for any purpose without the written consent of Zip Industries Pty Ltd. This document is printed in hardcopy form. It is for INFORMATION ONLY and therefore not subject to updating controls. For the current revision ALWAYS refer to the MATRIS electronic form as dated in the top left hand corner of this sheet. © copyright Zip Industries Pty Ltd. 2014/2015</p>		<p>Zip Industries Zip</p>	
<p>Make or Buy: Buy</p>	<p>Approved by: Unapproved on 10/12/2011</p>	<p>Project: HydroTap G4B</p>	<p>Configuration: Default</p>
<p>Manufacturing Route: Manufacturing Process</p>	<p>Checked by: Unchecked on 10/12/2011</p>	<p>Model: KL002_5100AU0C0ZN1C</p>	<p>Created by & on: Edgex on 4/05/2011</p>
<p>Raw material: See Components</p>	<p>Updated by: edgex on 13/05/2015 8:49:50 AM</p>	<p>Drawing: KL002_5100AU0C0ZN1C</p>	<p>Created by & on: Edgex on 29/05/2015</p>
<p>Remove all sharp edges. This drawing ONLY details information which cannot be ascertained from the 3D geometry of the part(s) attached. Model & dimensions are AFTEC all finishing operations.</p>	<p>Finish: Finish</p>	<p>Material: 84492 Area: 150259.6</p>	<p>Derived from: New</p>
<p>Comments:</p>	<p>Volume: 84492 Area: 150259.6</p>	<p>Mass: 99243.7 Density: 6.7</p>	<p>Scale: 1:1</p>
<p>Probable? NO</p>	<p>Recyclable? NO</p>	<p>Handed? NO</p>	<p>Sheet: 1 of 1</p>
<p>Volume: 84492 Area: 150259.6</p>	<p>Mass: 99243.7 Density: 6.7</p>	<p>Scale: 1:1</p>	<p>Sheet: 1 of 1</p>
<p>WMKA 00099; CS8328 Watermark Exp: 26-10-2017; CS Exp: 18-8-2014</p>	<p>Revision: 00</p>	<p>Size: A1</p>	<p>Custom Property</p>