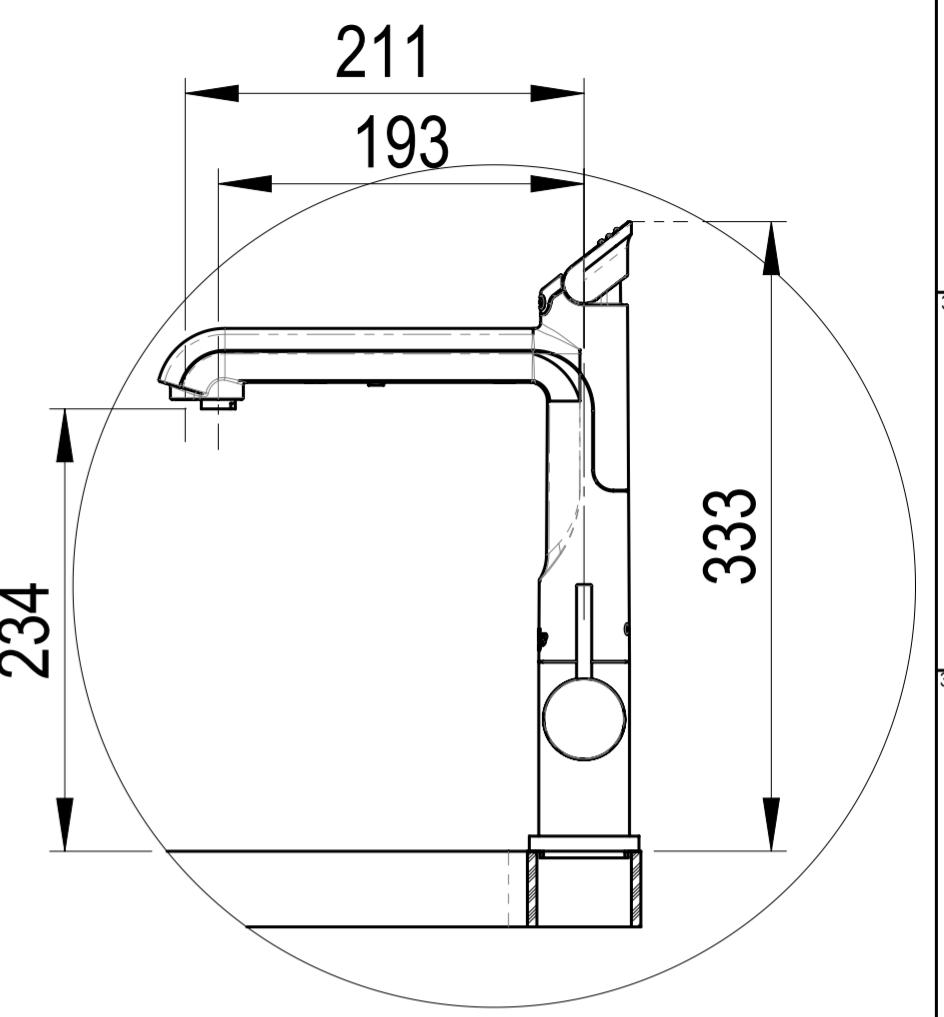
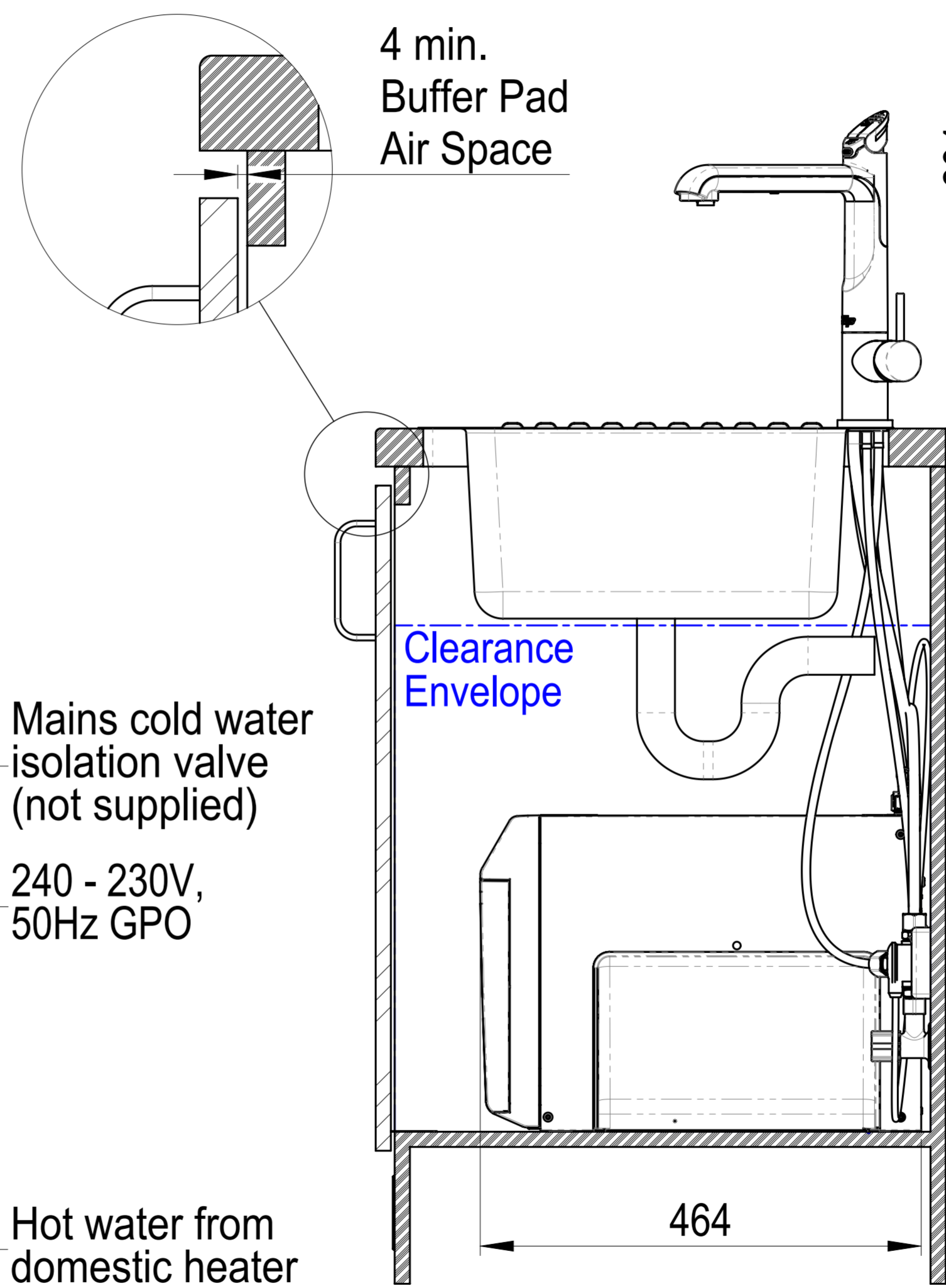
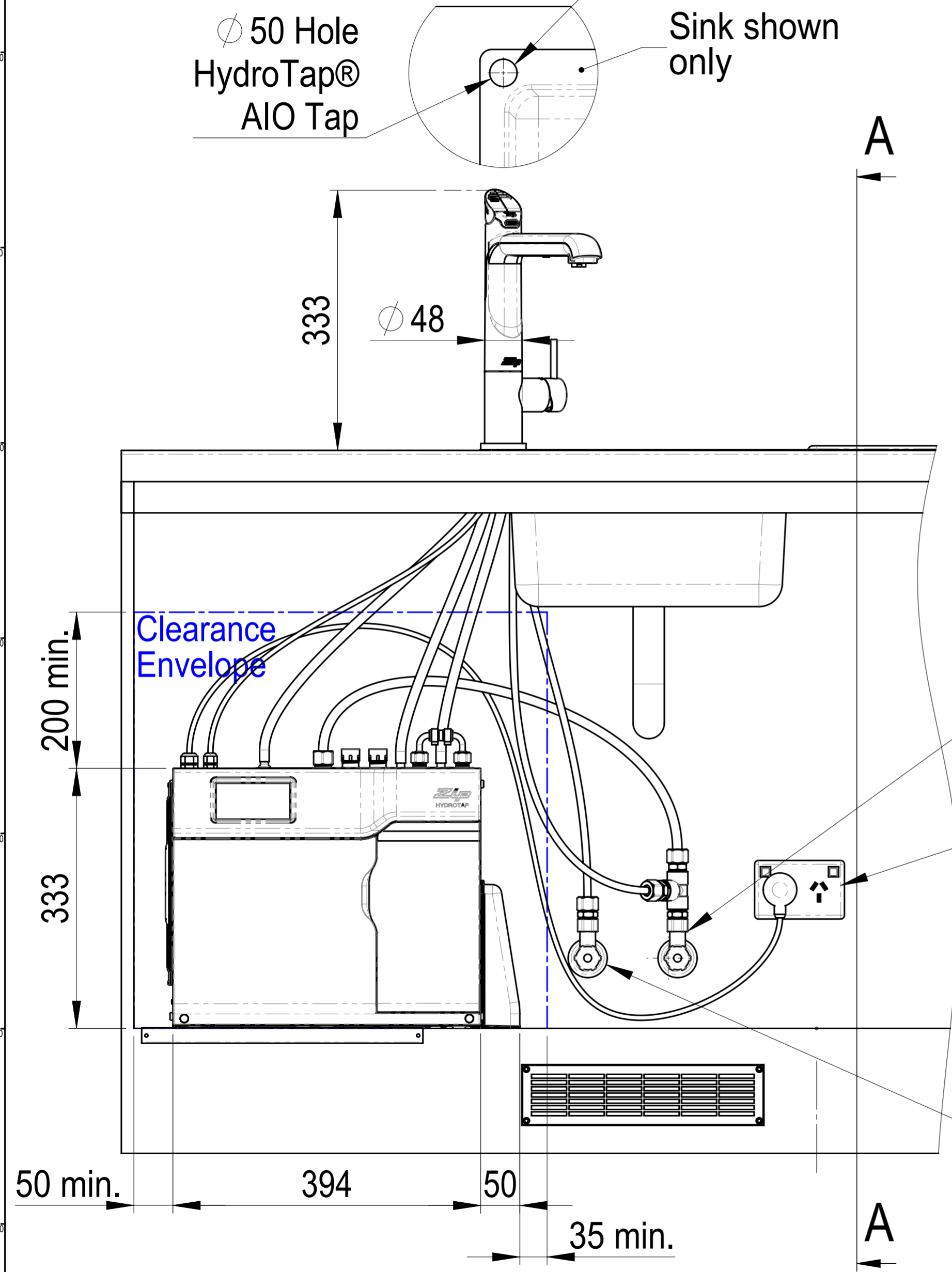


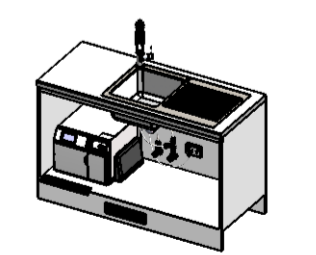
Sheet1 (Default)

| Item | Part | Rev | Description | Config | Status | Qty | Notes |
|------|--------|-----|---|------------------|------------|-----|-------|
| 2 | 5061AU | 00 | HydroTap Gen IV BC160/175+ Boiling & Chilled Larger Comp/No Booster | 5061AU-BC160_175 | Prototype | 1 | |
| 3 | 800220 | C | Keyboard Fan Grill | Default | Production | 1 | |
| 4 | 800221 | C | Air Inlet Grill CFF | Default | Production | 1 | |
| 8 | 84451 | A | Tee 1/2" BSP Female (Brass) | Default | Production | 1 | |
| 14 | 85193 | B | Assy - Restrict-A-Flow with ø1.9 Hole | 81841 | Production | 1 | |

Position the Tap such that it dispenses into the sink bowl with ample clearance for a cup or a tea pot. Alternatively, the Tap could be mounted away from the sink using a Zip Font available as an accessory.



DETAIL FONT
SCALE 1 : 4



SECTION A-A
SCALE 1 : 5

This drawing is CONFIDENTIAL and is supplied on the express condition that it shall not be LOANED, COPIED or DISCLOSED to any other third party or used for any purpose without the written consent of Zip Industries Pty Ltd. If this document is printed in hardcopy form, it is for INFORMATION ONLY and therefore not subject to updating controls. For the current revision ALWAYS refer to the NATIVE electronic form as stated in the top left-hand corner of this sheet. © copyright Zip Industries Pty Ltd, 16/05/2011

| | | | |
|--|-------------------------------------|--|---|
| Manufacturing Instructions | | Approved by : Unapproved on 1/03/2011 | Description : All-in-One BCHA 160/175 Mains Zip HydroTap G4 |
| Make or Buy : Buy | Checked by : Unchecked on 1/01/2001 | Updated by : edgar on 1/10/2014 3:58:55 PM | Project : HydroTap G48 |
| Raw material : See Components | Material : See Components | Model : KL002_5061AU0A0Z1C | Configuration : Default |
| Remove all sharp edges. This drawing ONLY details information which cannot be ascertained from the 3D geometry of the part(s) attached. Model & dimensions are AFTER all finishing operations. | Finish : Finish | Created by & on : EdgarG on 4/05/2011 | Rev : 00 |
| Comments : | Volume (m ³) : 91757.0 | Area (m ²) : 179365.1 | Derived from : New |
| Potable? : No | Recyclable? : No | Handled? : No | Mass (kg) : 103585.1 |
| Density (g/cm ³) : 1.1 | Scale : 1:1 | Sheet : 1 of 1 | Colour : Colourless |
| Status : Production | Drawing : KL002_5061AU0A0Z1C | Engineer : on 16/05/2011 | Size : A2 |
| Drawing Property | Config Property | Custom Property | |