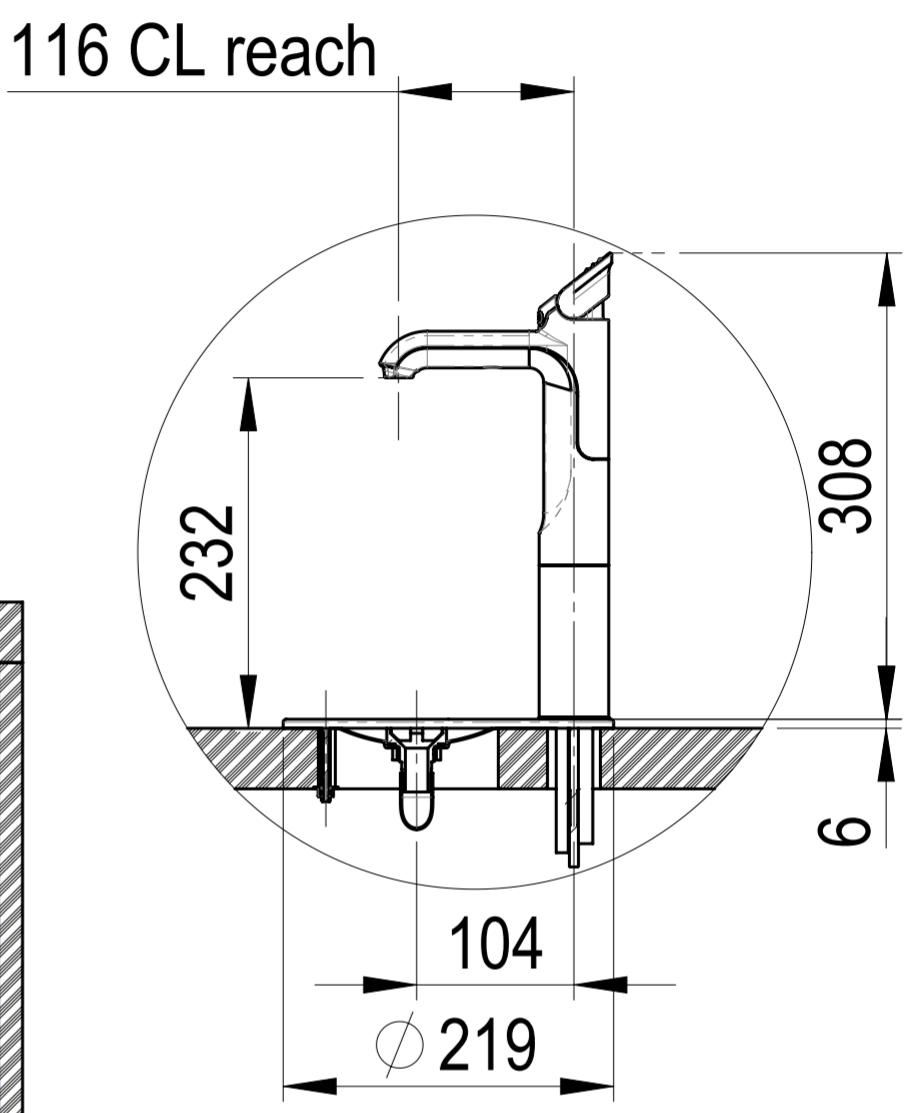
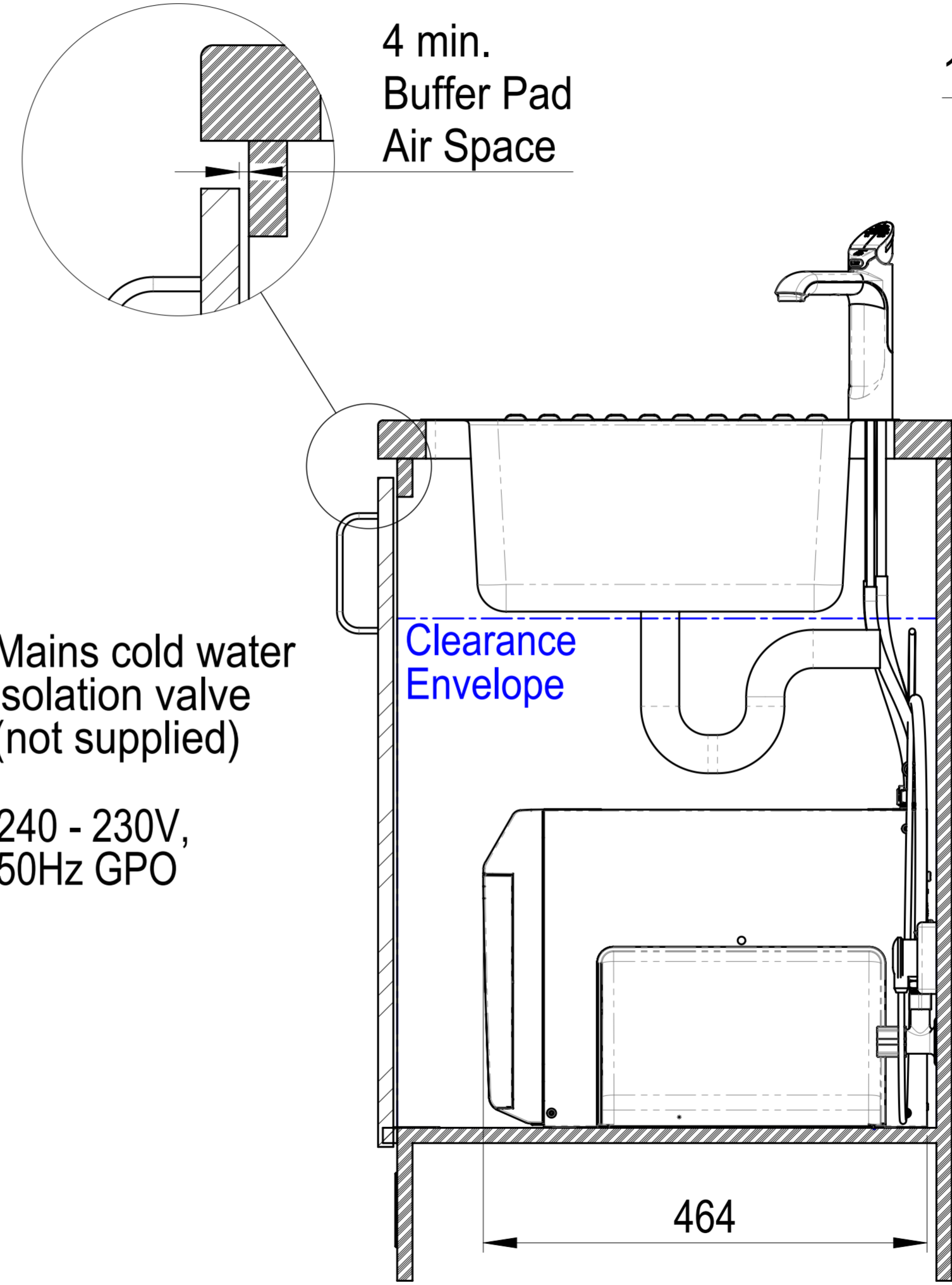
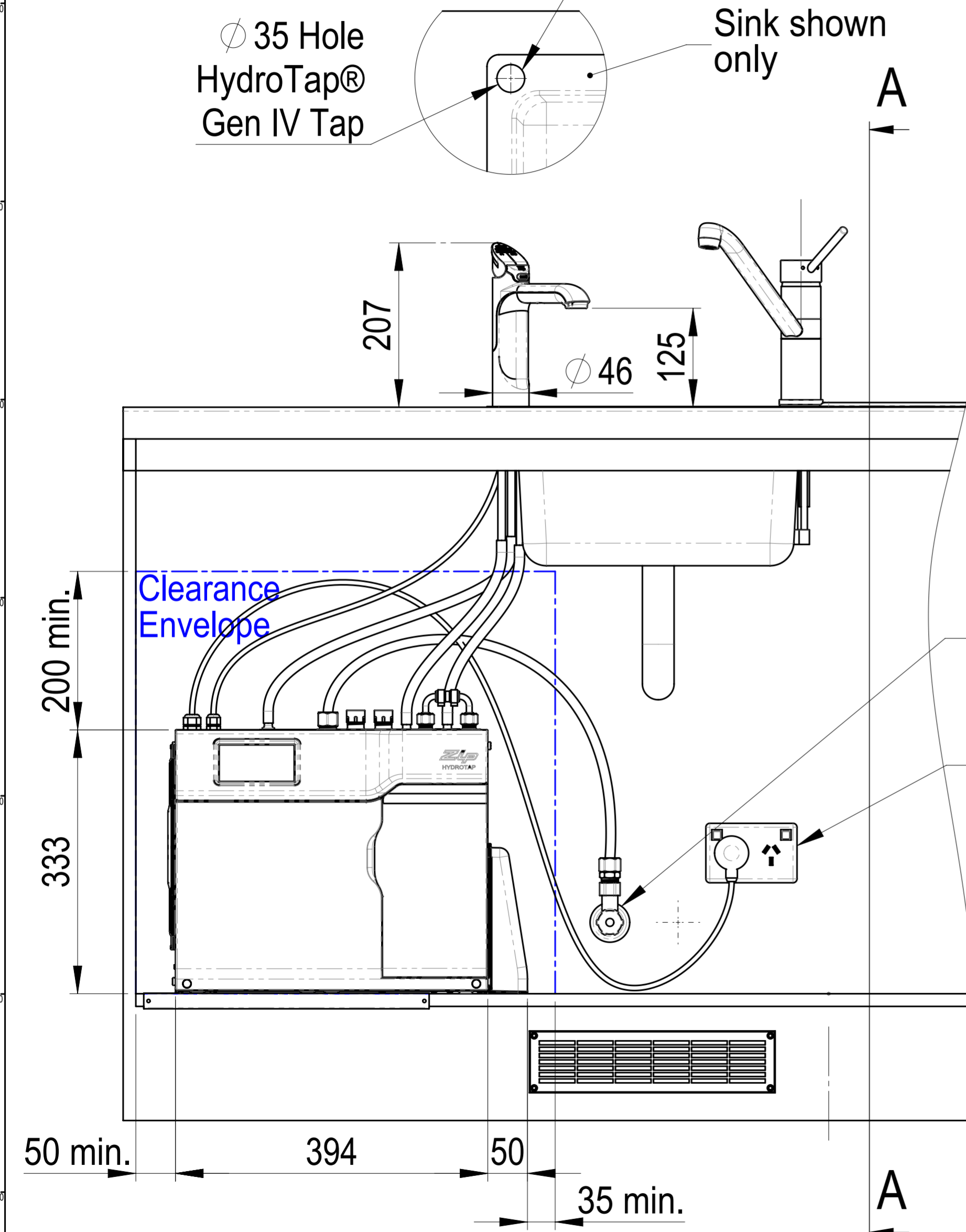
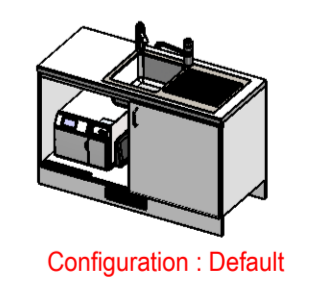


Item	Part	Rev	Description	Config	Status	Default/Qty	Notes
1	5060AU1	00	Hydotap Gen IV BC160/125-Boiling & Chilled	Default	Prototype	1	
2	800544-BC	A	Assy - Tap (Gen IV) Boiling Chilled	800544-BC	Prototype	1	
3	875701	A	Assy - Tap (4 in 1)	Hot Off	Production	1	
4	86451	A	Nipple-Tapered 1/2" (No 27)	Default	Production	1	
5	800220	C	Kickboard Fan Grill	Default	Production	1	
6	800221	C	Air Inlet Grill CFF	Default	Production	1	

Position the Tap such that it dispenses into the sink bowl with ample clearance for a cup or a tea pot. Alternatively, the Tap could be mounted away from the sink using a Zip Font available as an accessory.



DETAIL FONT SCALE 1 : 5



SECTION A-A SCALE 1 : 5

WMKA 00099; CS8328  
 Watermark Exp: 26-10-2017; CS Exp: 18-8-2014

This drawing is CONFIDENTIAL and is supplied on the express condition that it shall not be LOANED, COPIED or DISCLOSED to any other third party or used for any purpose without the written consent of Zip Industries Pty Ltd. If this document is printed in hardcopy form, it is for INFORMATION ONLY and therefore not subject to updating controls. For the current revision ALWAYS refer to the NATIVE electronic form as stated in the top left-hand corner of this sheet. © copyright Zip Industries Pty Ltd, 16/05/2011		<b>Zip Industries</b>	
<b>Manufacturing Instructions</b> Make or Buy : Buy Manufacturing Route : Manufacturing Process Raw material : See Components Remove all sharp edges. This drawing ONLY details information which cannot be ascertained from the 3D geometry of the part(s) attached. Model & dimensions are AFTER all finishing operations.		Approved by : nickm on 11/11/2014 Checked by : nickm on 11/11/2014 Updated by : edgar on 4/03/2014 12:30:34 PM Material : See Components Finish : Finish	
Description : <b>Hydotap Gen IV BC160/125 Boiling &amp; Chilled</b>		Project : Hydotap Gen IV® Model : KL002_5060AU0H0Z1C Drawing : <b>KL002_5060AU0H0Z1C</b>	
Configuration : Default Created by & on : EdgarG on 4/05/2011		Status : Prototype Colour : Colourless Density : 1.1 Scale : 1:1 Sheet : 1 of 1	
Volume (mm³) : 91613.4 Area (mm²) : 175150.0 Mass (kg) : 102346.8		Rev : 00 Size : A2	
Potable? : No	Recyclable? : No	Handed? : No	Part Property