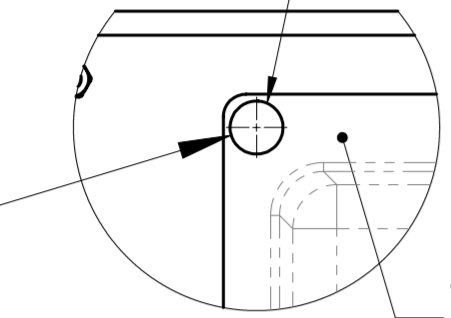


Sheet1 (Default)

Item	Part	Description	Qty
1	875701	Assy - Tap (4 in 1)	1
6	800221	Air Inlet Grill CFF	1
7	83393	Ventilation Grille Hafele	1
8	800544-BC	Tap Assy Commercial - Boiling Chilled HydroTap G4	1
14	2824AU	Hydrotap G4 Commercial BC Compact Base Module Mains/UV	1

Position the Tap such that it dispenses into the sink bowl with ample clearance for a cup or a tea pot. Alternatively, the Tap could be mounted away from the sink using a Zip Font available as an accessory.

Ø 35 Hole for G4 Tap

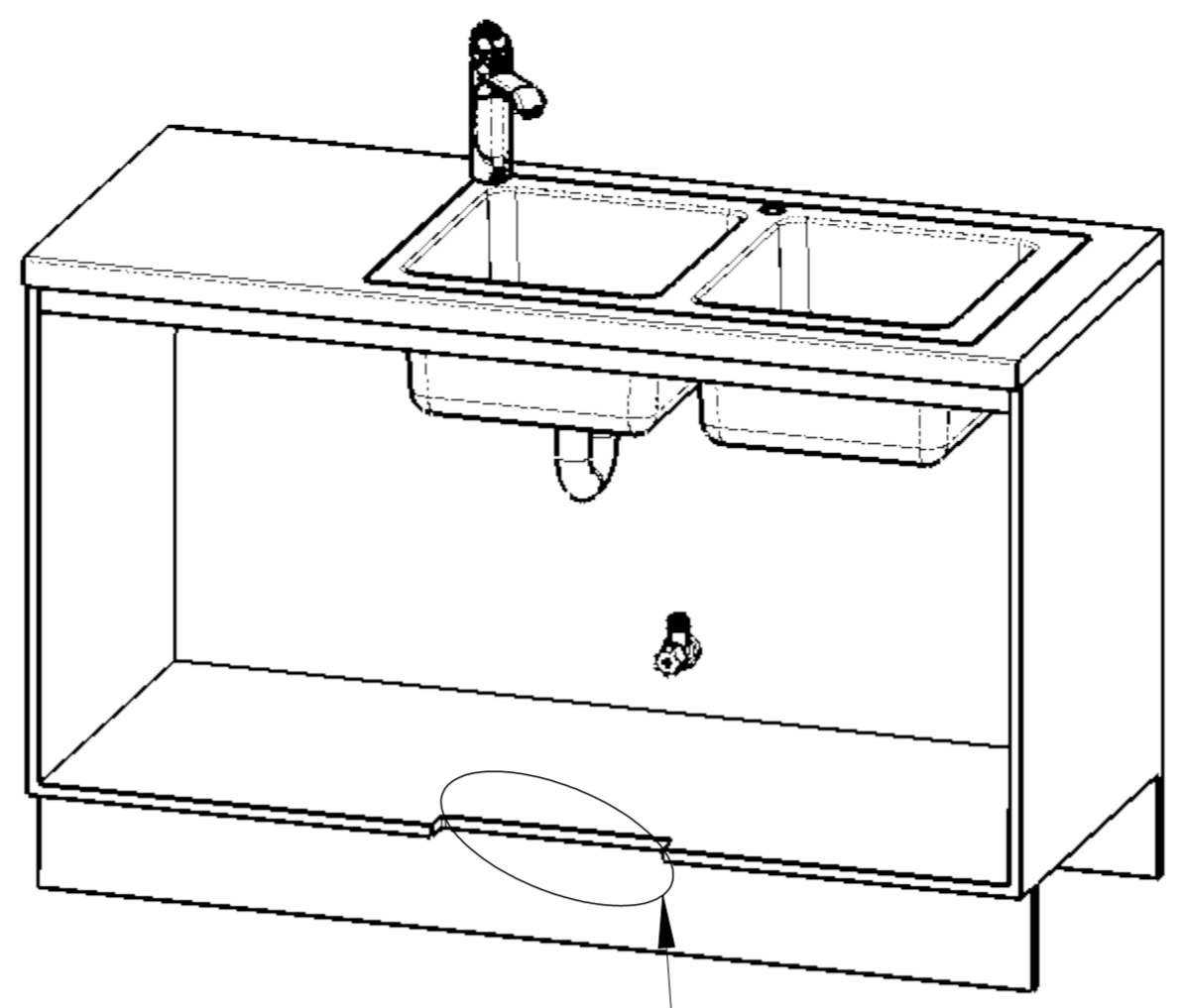


Sink shown only

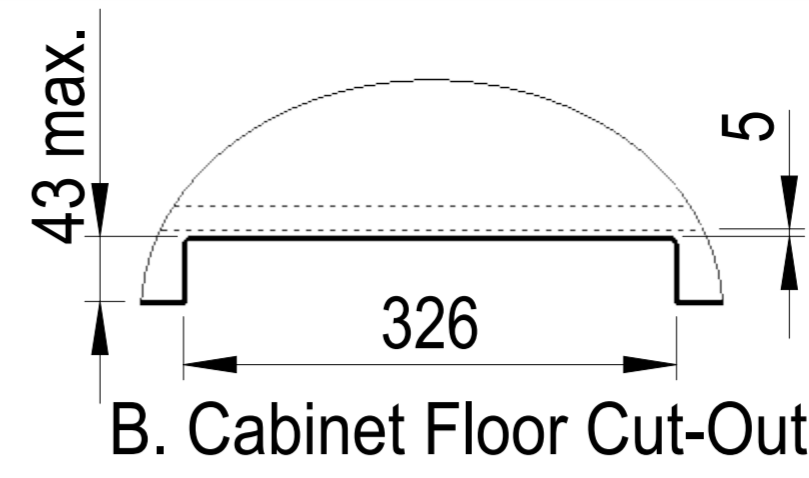
Ø 46

209

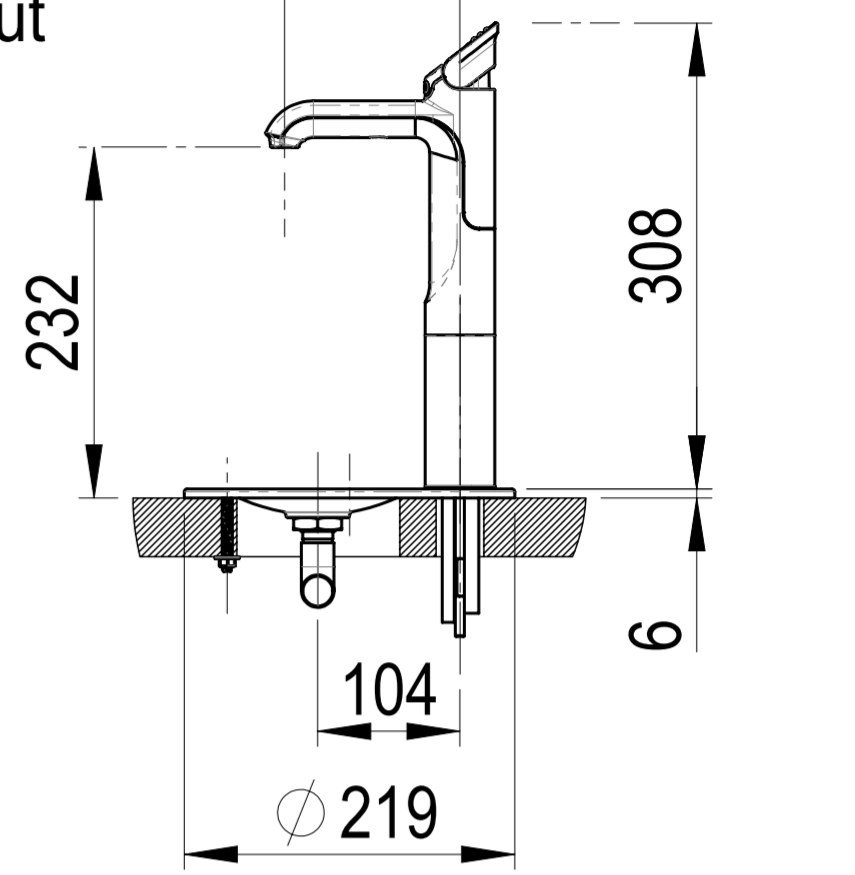
126



See Detail B



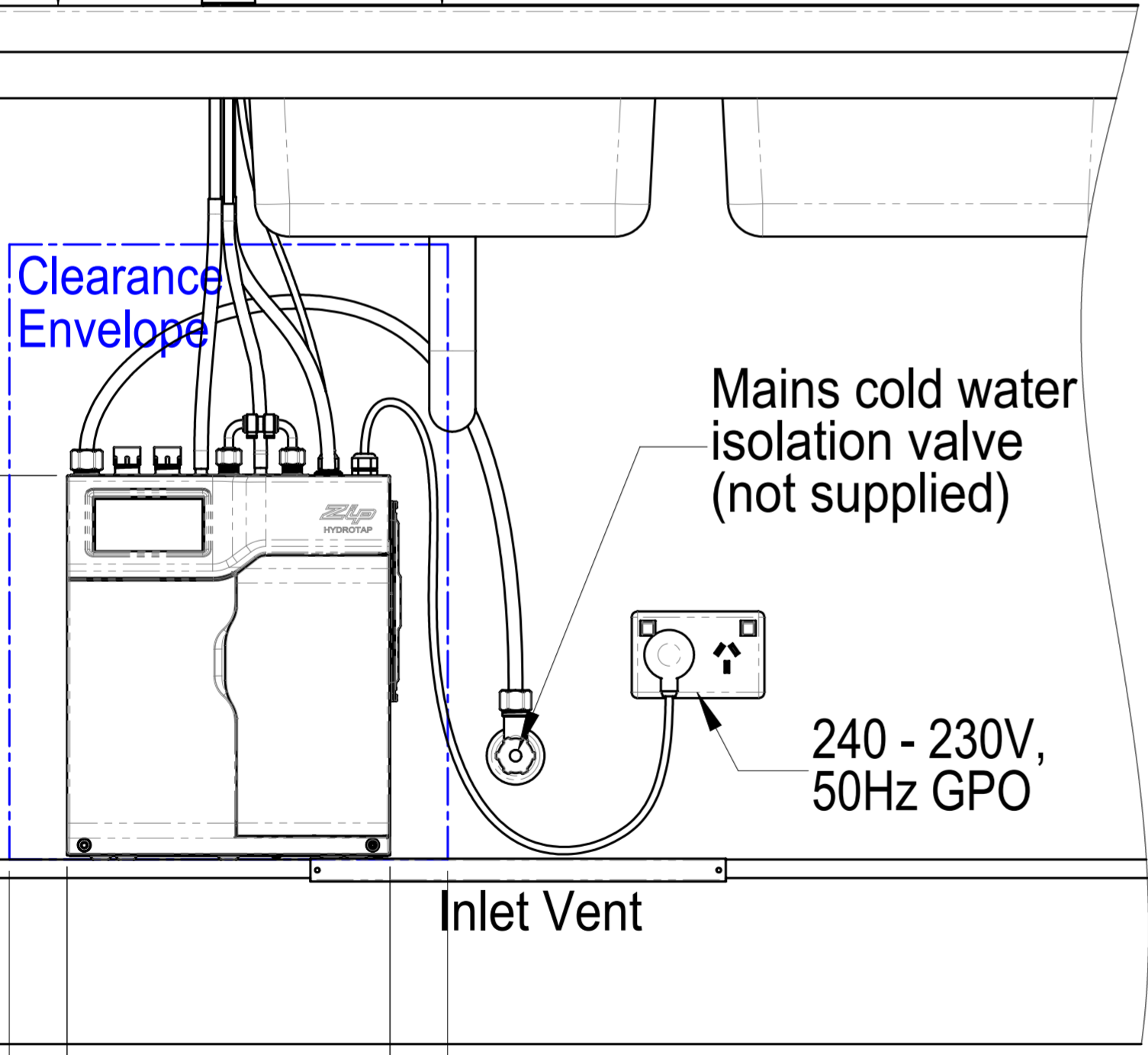
B. Cabinet Floor Cut-Out
4 min. Buffer Pad
Clear Gap



DETAIL FONT
SCALE 1:5

Ø 219 circumference

Ø 35 hole for tap tubes



Clearance Envelope

Mains cold water isolation valve (not supplied)

240 - 230V, 50Hz GPO

Inlet Vent

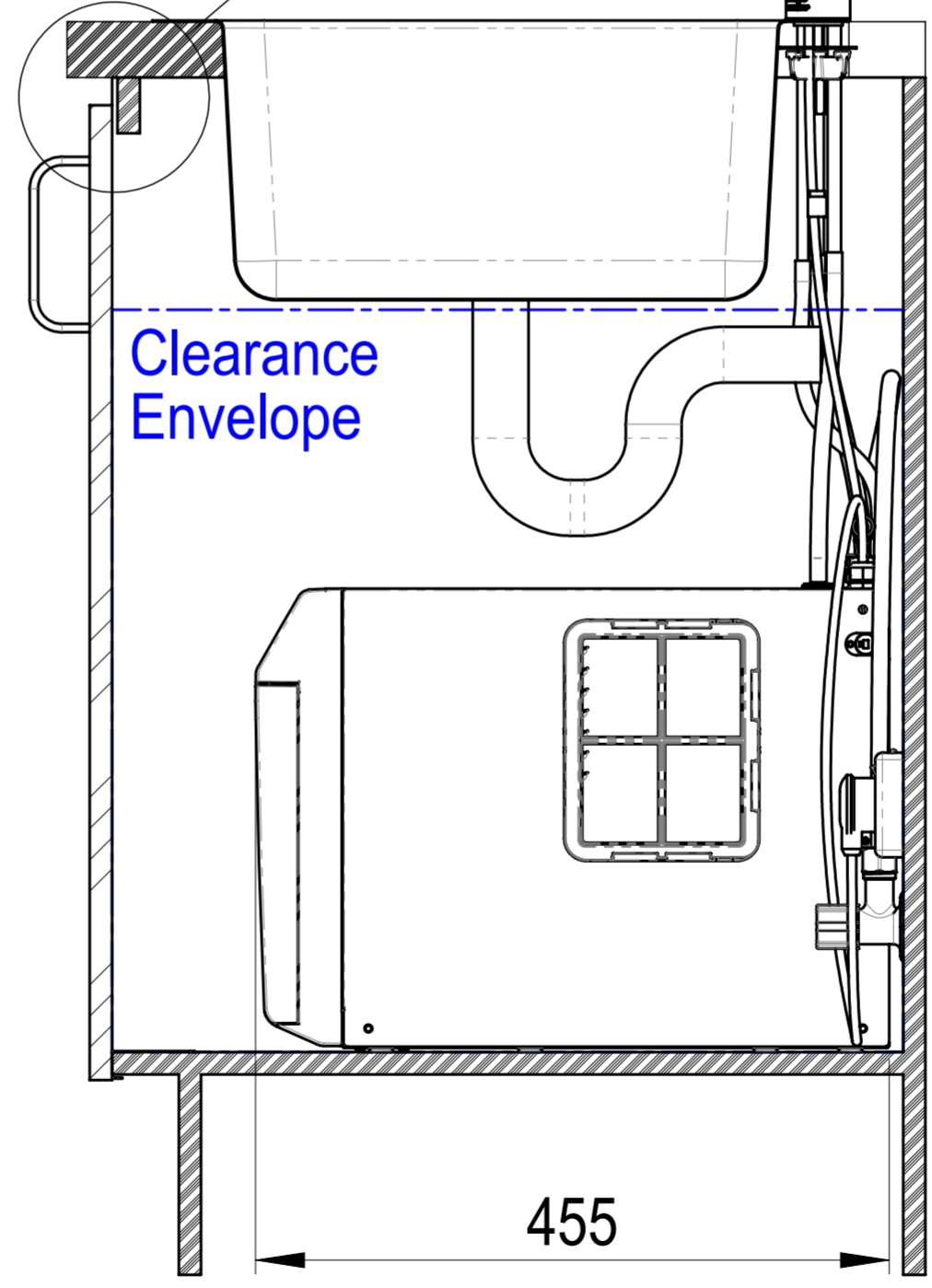
200 min.

333

50 min.

280

50 min.



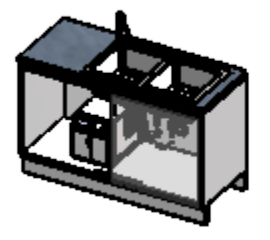
Clearance Envelope

455

SECTION A-A
SCALE 1:5

Ø 10 cut-away for 6mm fastening stud

Ø 108 hole for bowl



Configuration: Default

This drawing is CONFIDENTIAL and is supplied on the express condition that it shall not be LOANED, COPIED or DISCLOSED to any other third party or used for any purpose without the written consent of Zip Industries Pty Ltd. If this document is printed in hardcopy form, it is for INFORMATION ONLY and therefore not subject to updating controls. For the current revision ALWAYS refer to the NATIVE electronic form as stated in the top left-hand corner of this sheet. © copyright Zip Industries Pty Ltd, 16/05/2011

Zip Industries

Manufacturing Instructions		Approved by: nickm on 11/11/2014	Description: Assy - Kitchen Layout (HydroTap G4 Commercial BC Compact & G4 Tap)	
Make or Buy: Buy	Checked by: edgarG on 24/03/2017	Updated by: edgarG on 14/06/2017 8:55:25 AM		Project: Hydrotap G48
Manufacturing Route: Manufacturing Process	Raw material: See Components	Material: See Components	Model: KL002_2824AU0H0Z1C	Configuration: Default
Remove all sharp edges. This drawing ONLY details information which cannot be ascertained from the 3D geometry of the parts attached. Model & dimensions are AFTER all finishing operations.	Finish: Finish	Finish: Finish	Created by & on: EdgarG on 4/05/2011	Rev: A
Comments:	Volume (m ³): 75946.0	Area (m ²): 127818.3	Derived from: New	Created by & on: EdgarG on 16/05/2011
Potable?: No	Recyclable?: No	Handed?: No	Mass (kg): 85507.9	Density (g/cm ³): 1.1
Scale: 1:1		Sheet: 1 of 1	Colour: Colourless	Status: Pending Production
Drawing Property		Part Property		Size: A2

WMKA 00099; CS8328
Watermark Exp: 26-10-2017; CS Exp: 18-8-2014