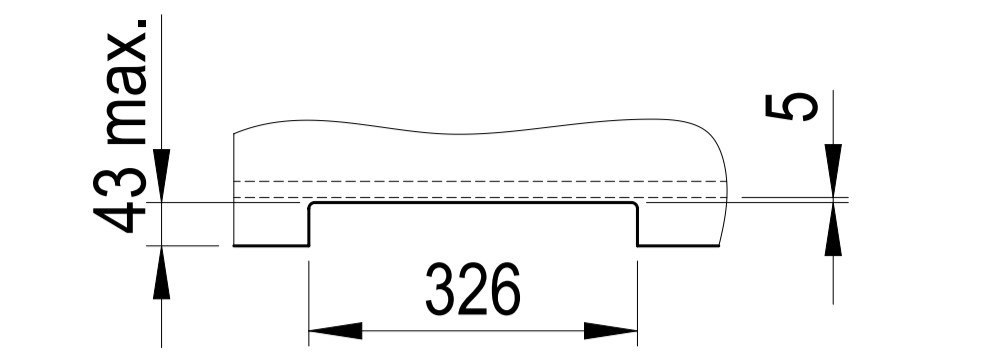
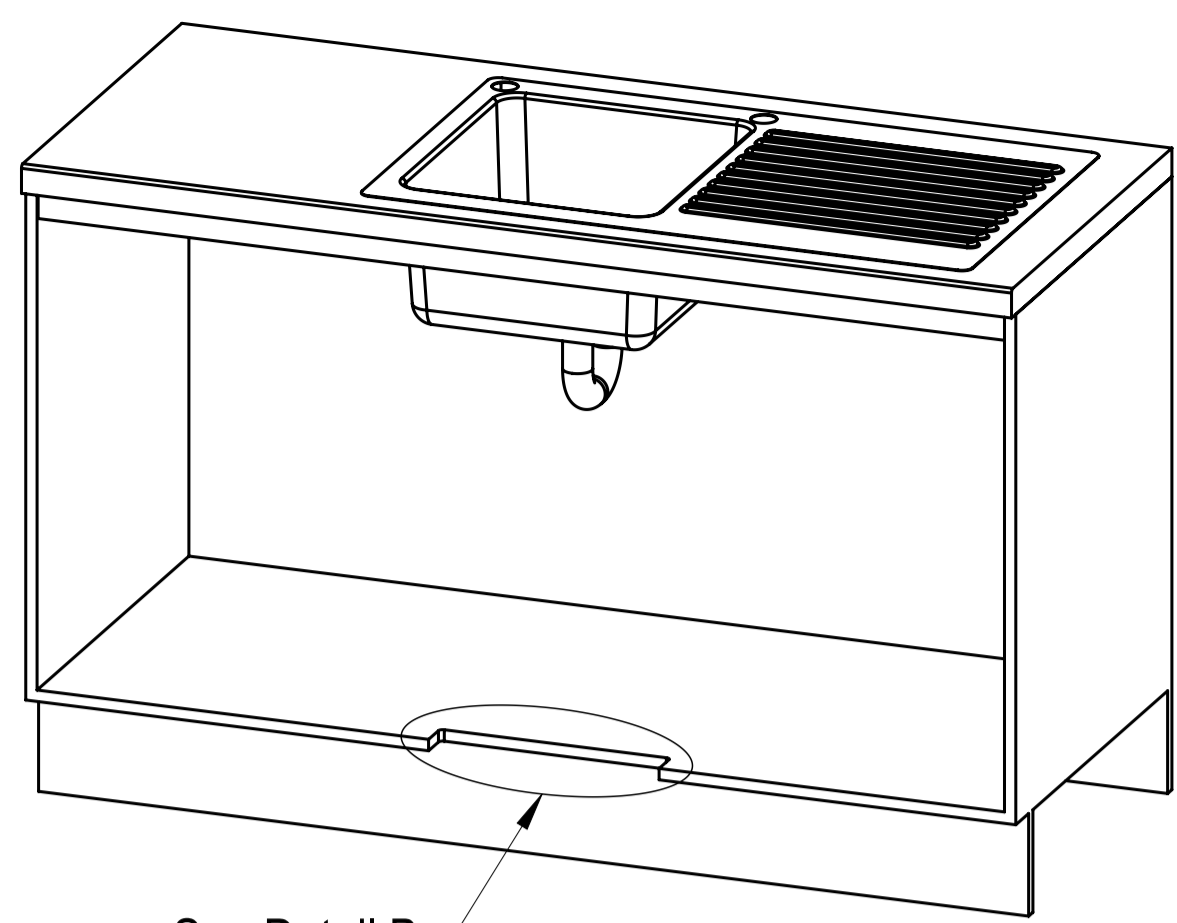


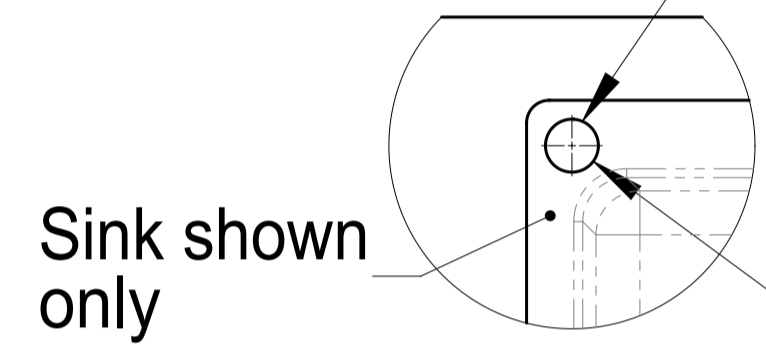
Item	Part	Rev	Description	Status	Qty	Make or Buy?
1	802433	00	HydroTap Arc Tap	Design	1	Buy
5	A2450	A	Plug - Australian Standard	Production	1	Buy
12	1300AU	00	HydroTap G4 Residential B Base Module	Design	1	Buy



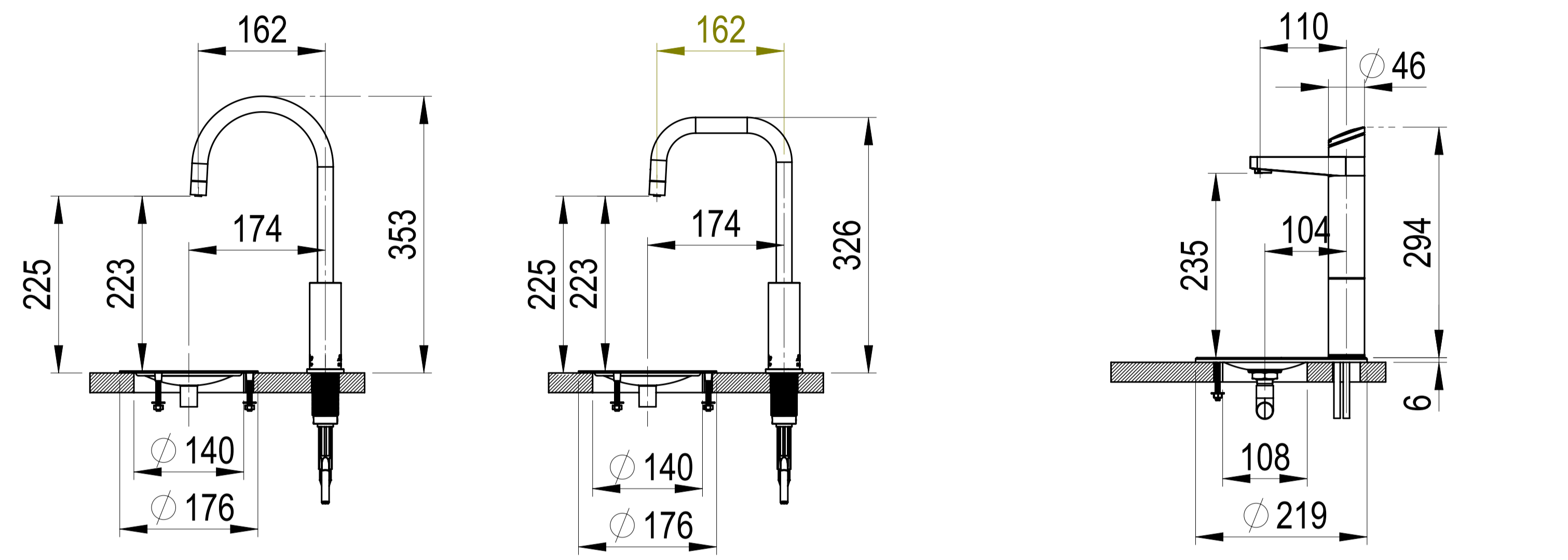
DETAIL B: Cabinet Floor Cut-Out  
 SCALE 1 : 7.5

Ventilation Detail

Position the Tap such that it dispenses into the sink bowl with ample clearance for a cup or a tea pot. Alternatively, the Tap could be mounted away from the sink using a Zip Font available as an accessory.



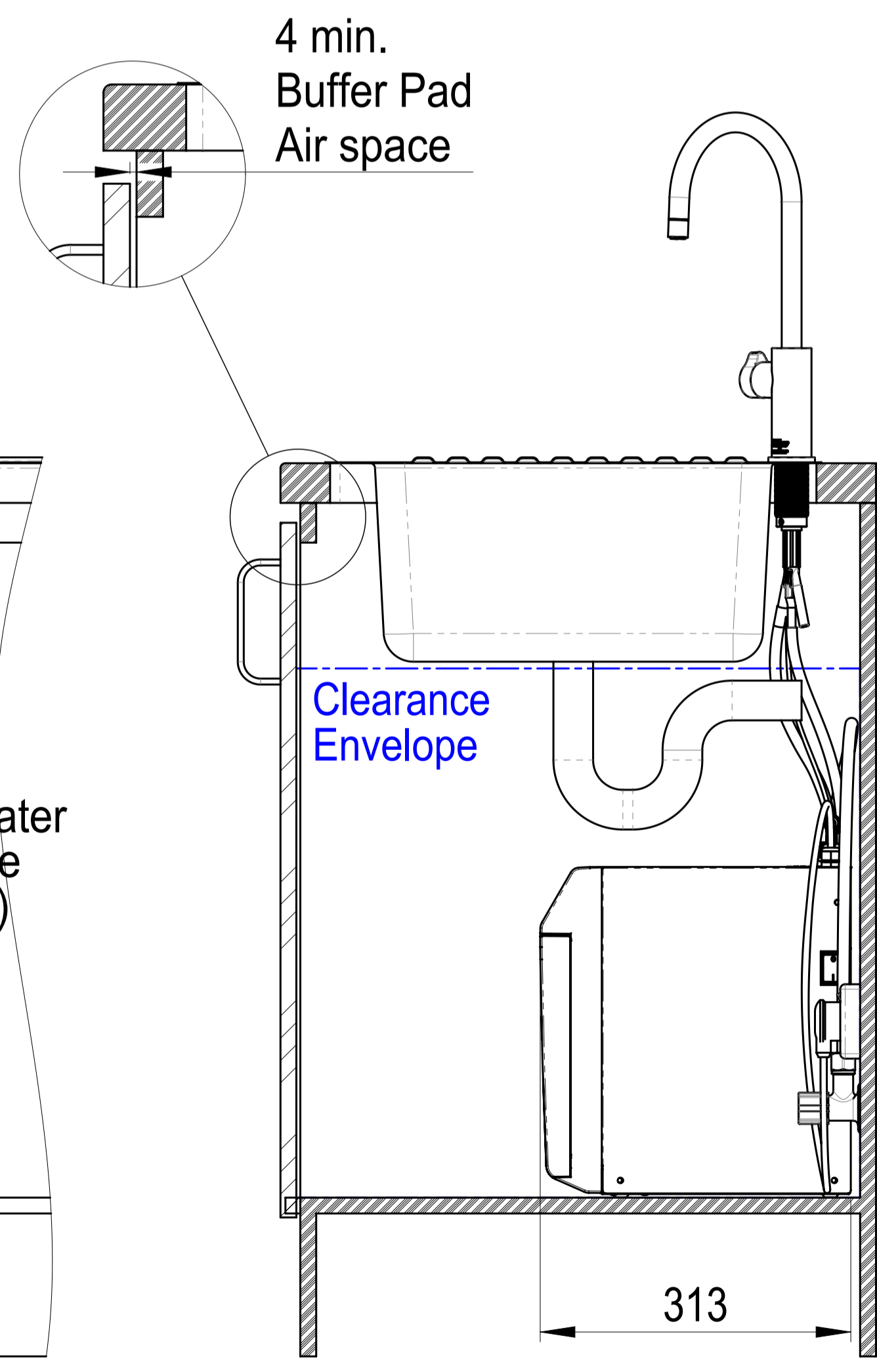
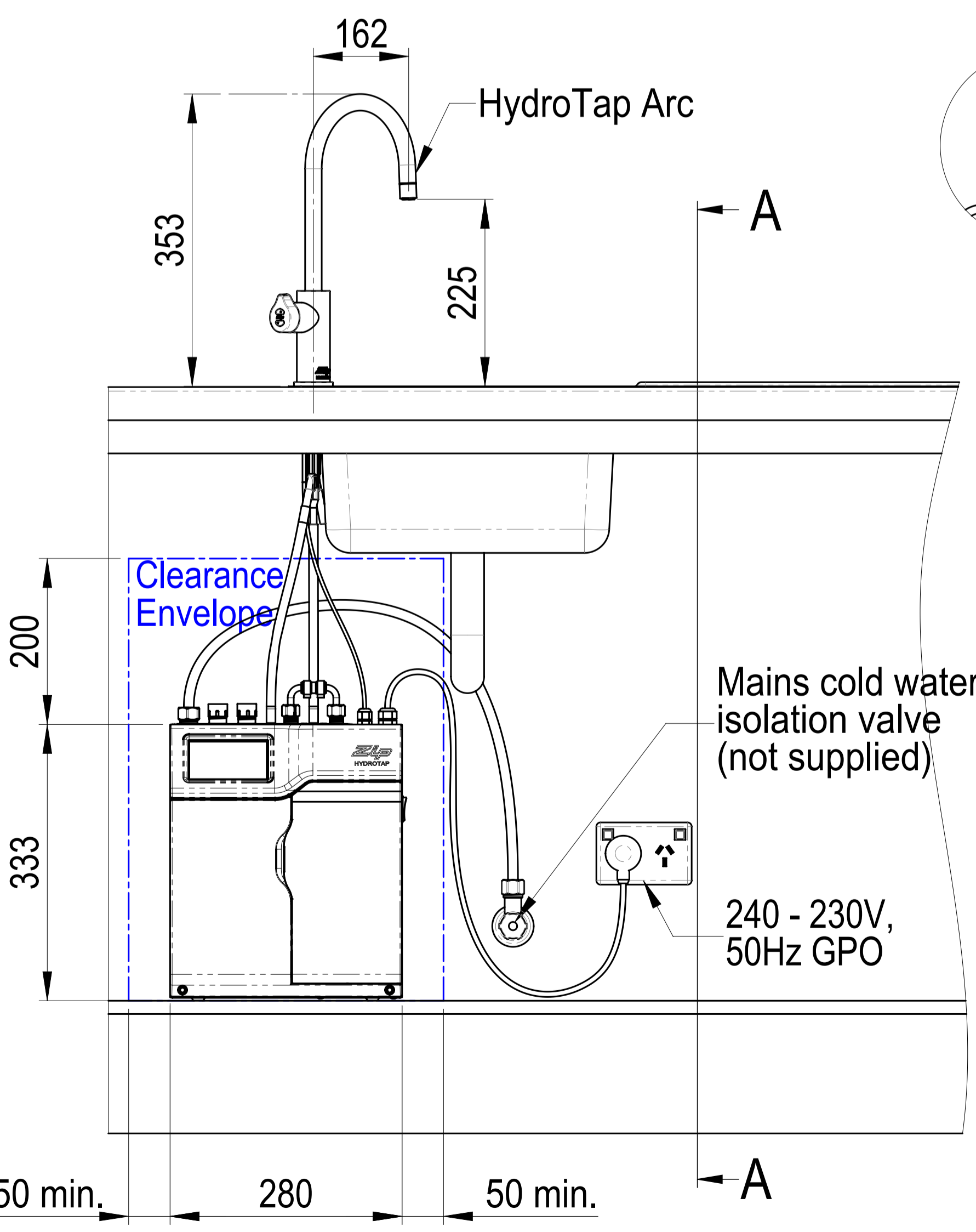
Ø 35 Hole for HydroTap Arc, HydroTap Cube or Elite Taps



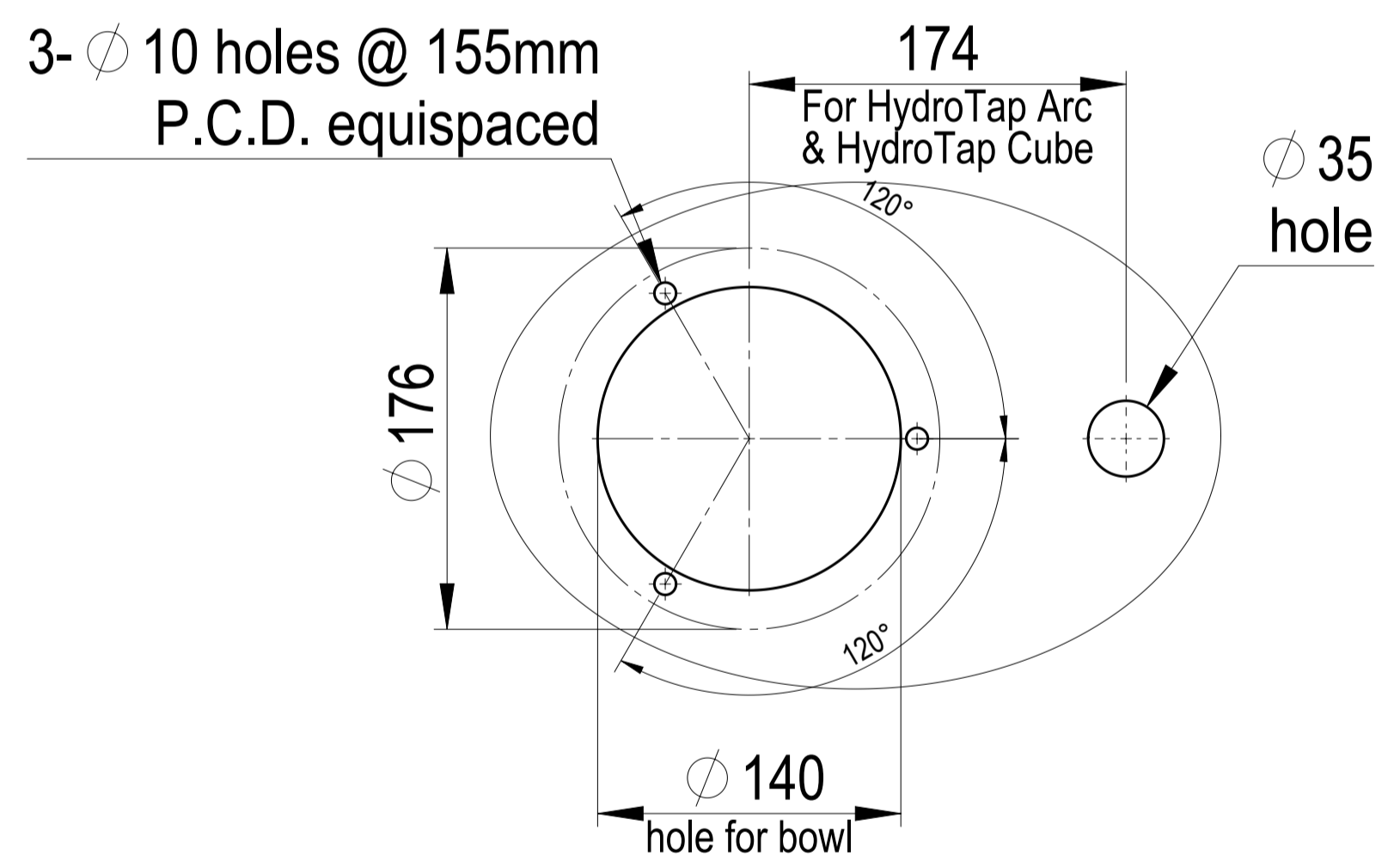
HydroTap Arc with Font

HydroTap Cube with Font

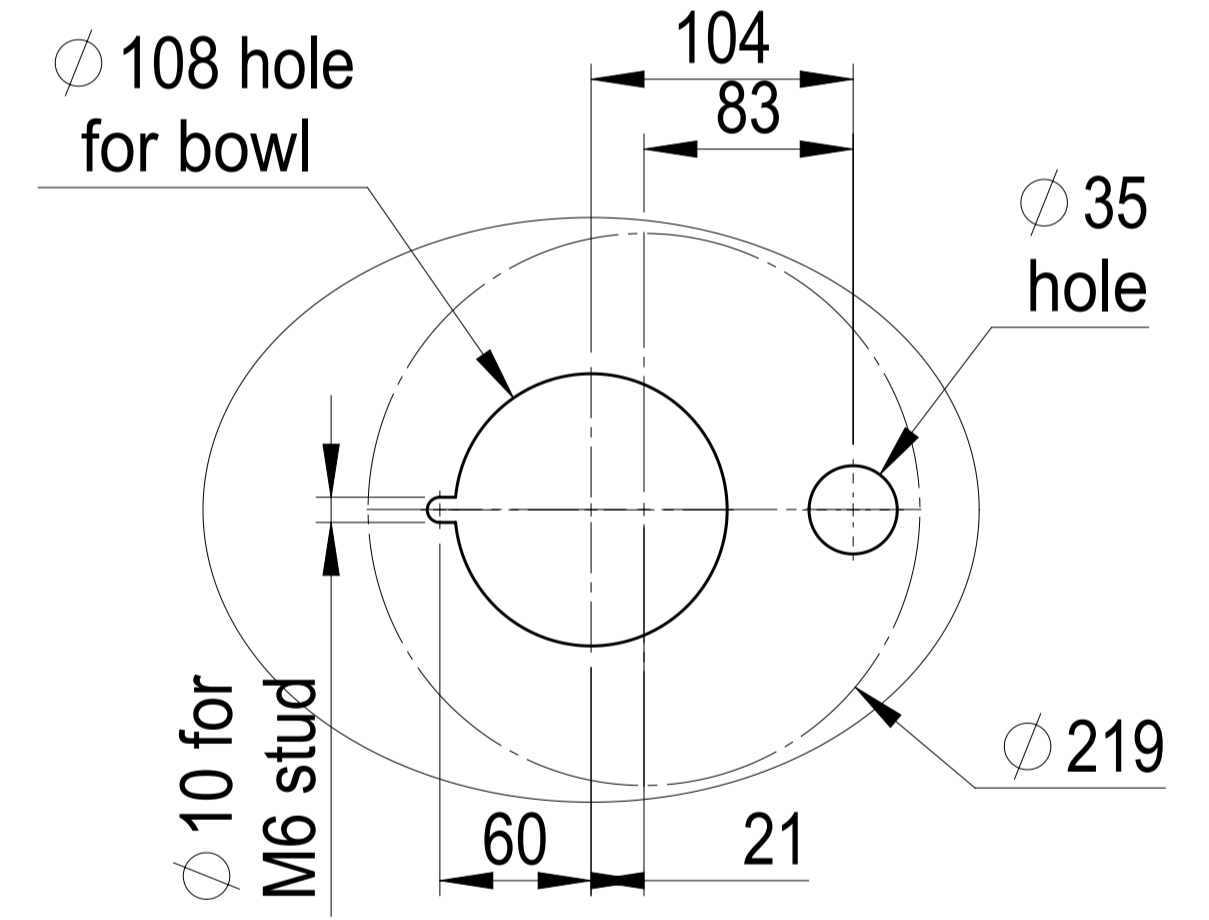
Elite Tap with Font



SECTION A-A  
 SCALE 1 : 5



Cutting Detail for HydroTap Arc & HydroTap Cube with Font



Cutting Detail for Elite Tap with Font

This set-up is applicable to:  
 B Residential:  
 HT2786: 1300AU0T0ZN1R w/ HydroTap Arc Tap  
 HT3786: 1300AU0U0ZN1R w/ HydroTap Cube Tap  
 HT4786: 1300AU0E1ZN1R w/ Elite Tap

