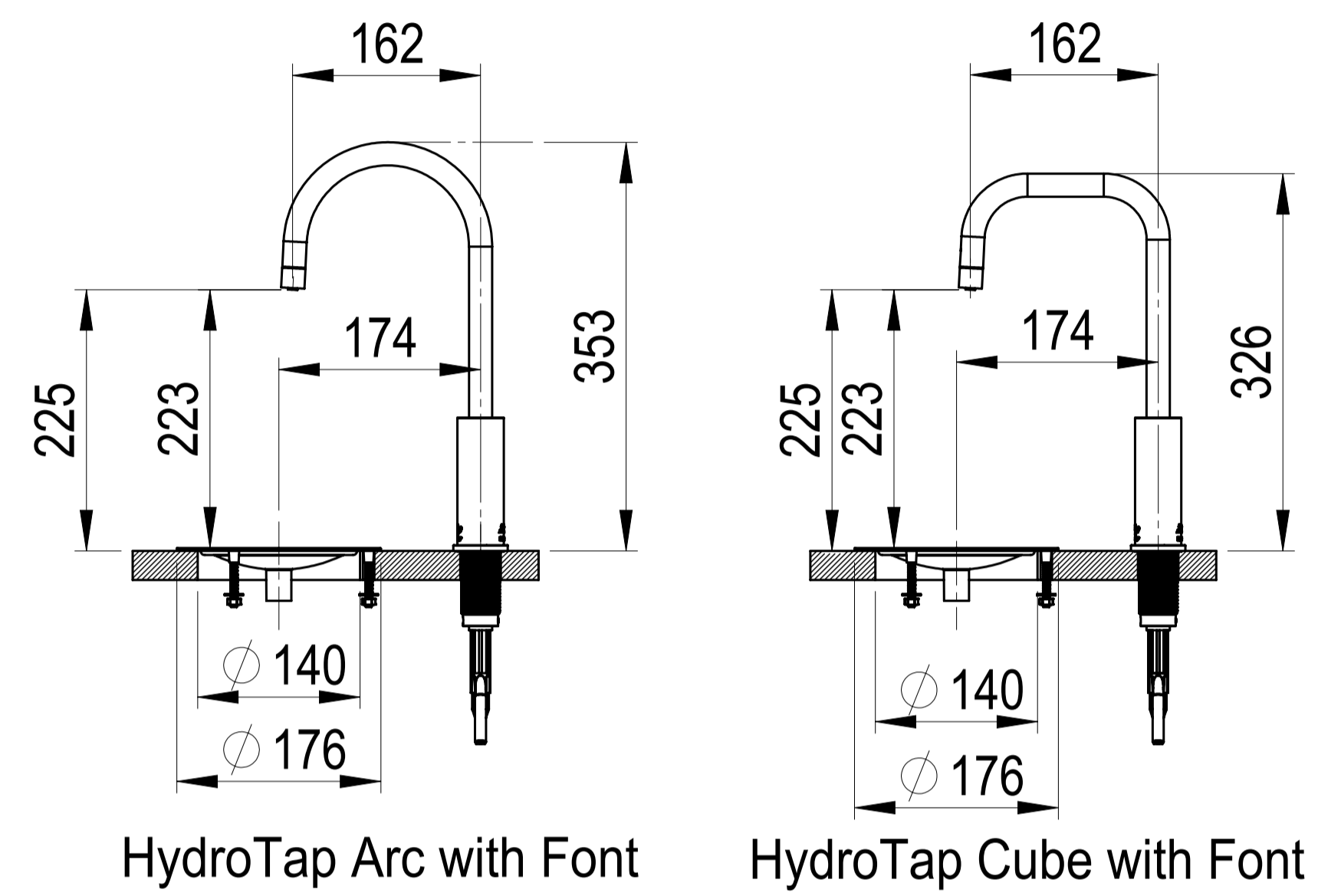
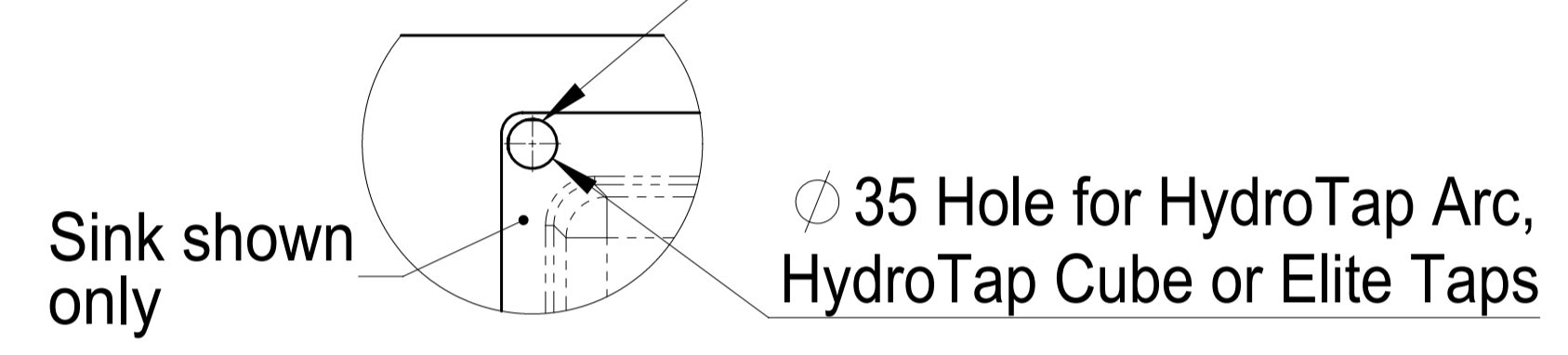


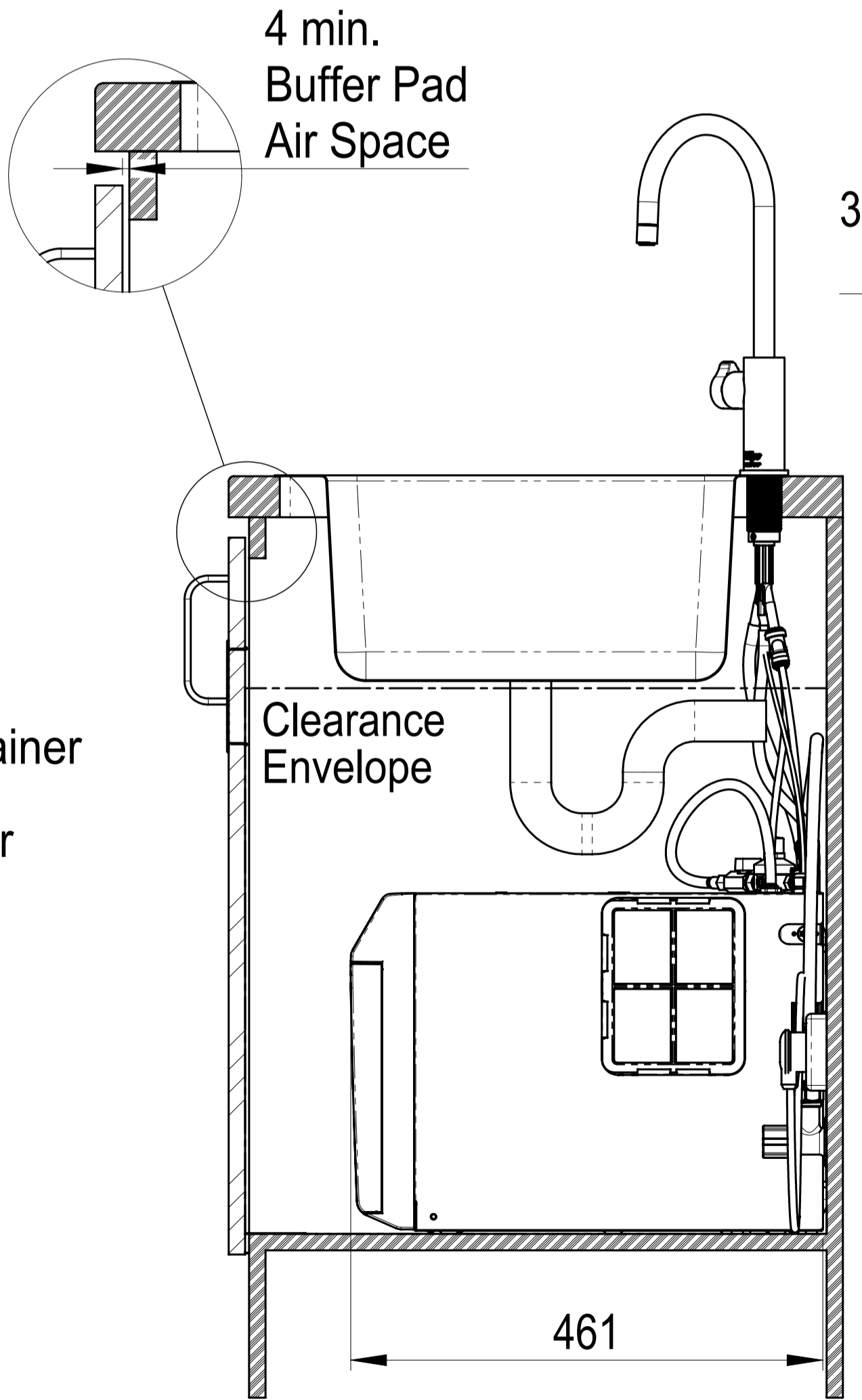
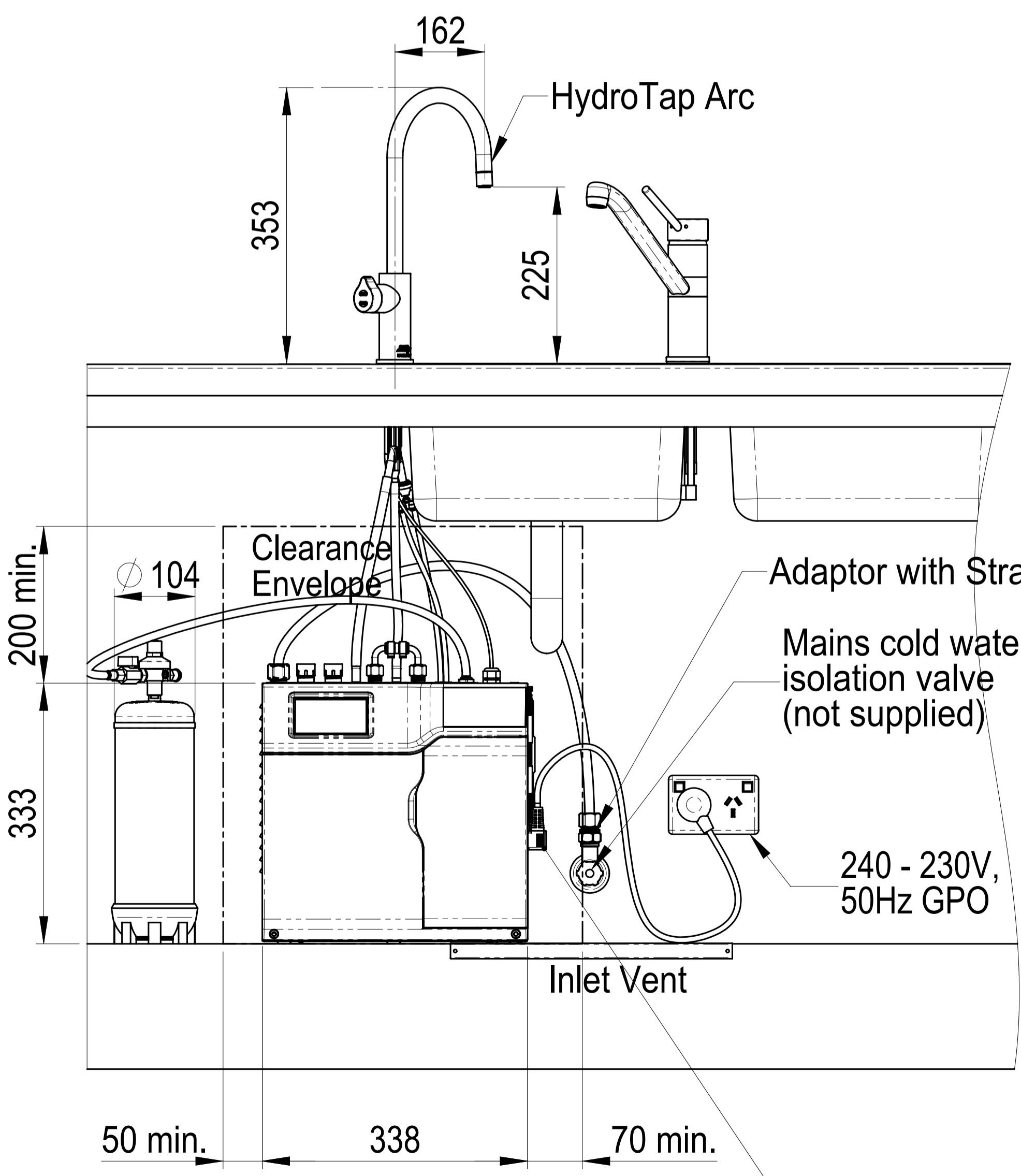
DETAIL B: Cabinet Floor Cut-Out  
SCALE 1 : 7.5

Ventilation Detail

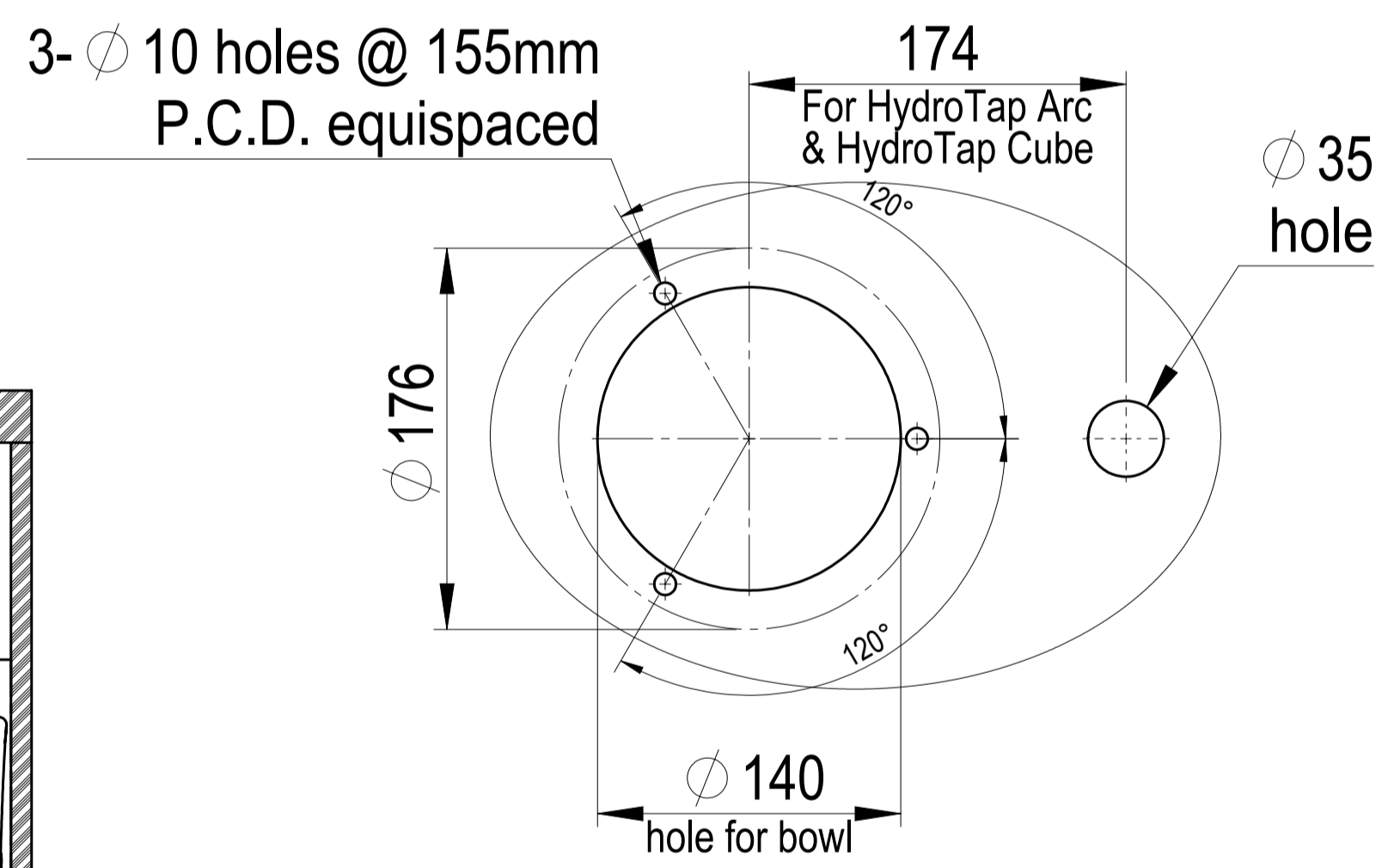
Position the Tap such that it dispenses into the sink bowl with ample clearance for a cup or a tea pot. Alternatively, the Tap could be mounted away from the sink using a Zip Font available as an accessory.



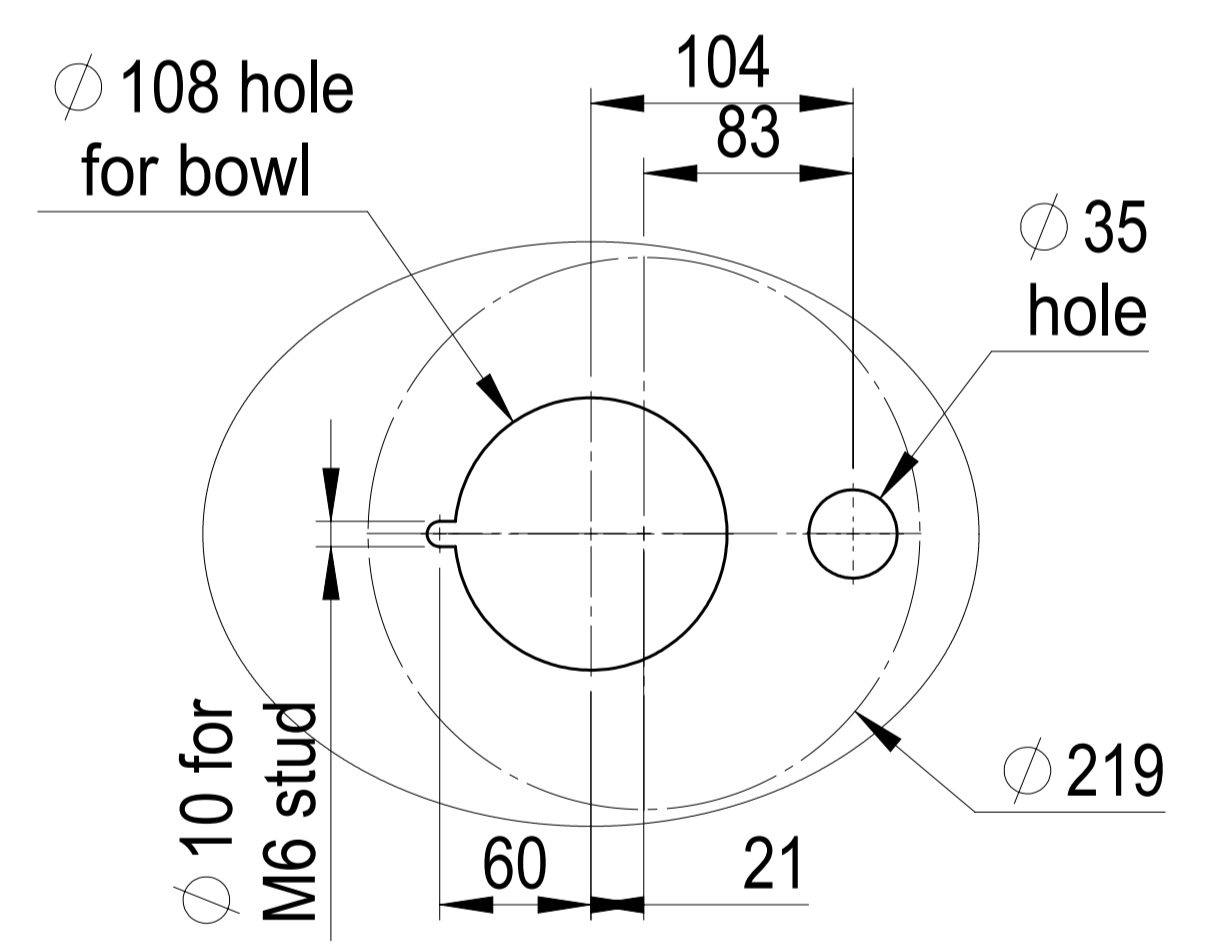
HydroTap Arc with Font  
HydroTap Cube with Font  
Elite Tap with Font



SECTION A-A  
SCALE 1 : 5



Cutting Detail for HydroTap Arc & HydroTap Cube with Font



Cutting Detail for Elite Tap with Font

This set-up is applicable to:  
BCS Residential:  
HT2783: 1256AU0T0ZN1R w/ HydroTap Arc Tap  
HT3783: 1256AU0U0ZN1R w/ HydroTap Cube Tap  
HT4783: 1256AU0E4ZN1R w/ Elite Tap