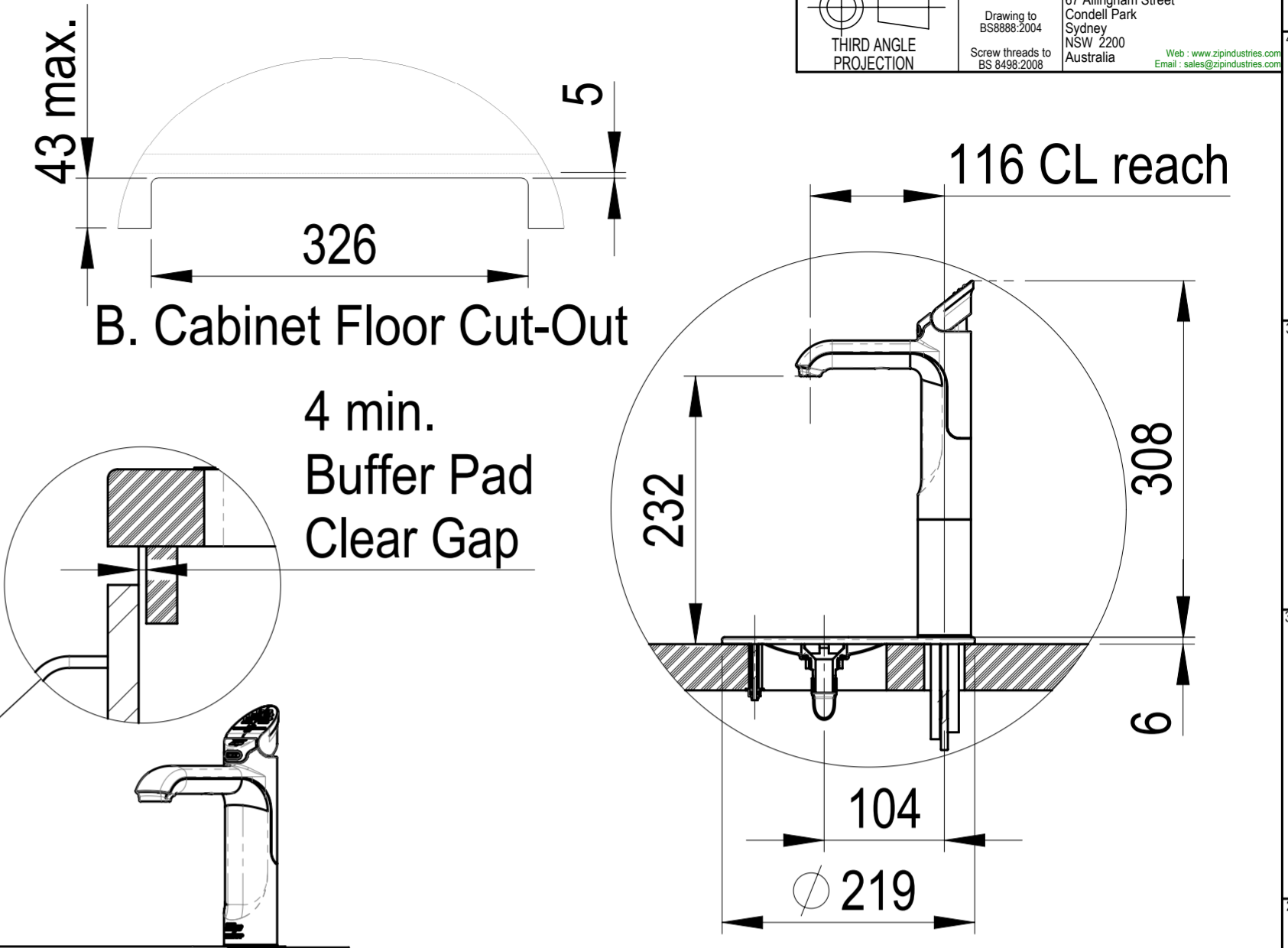
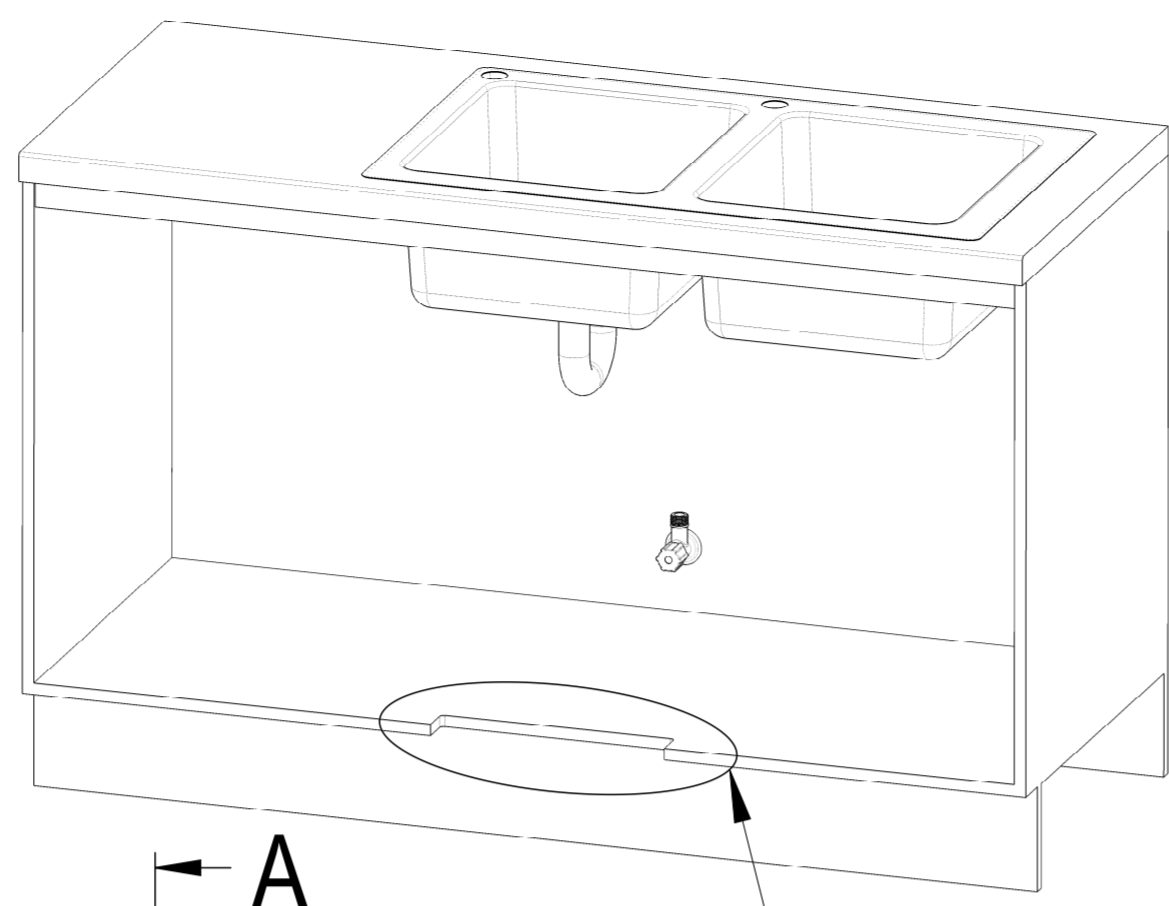
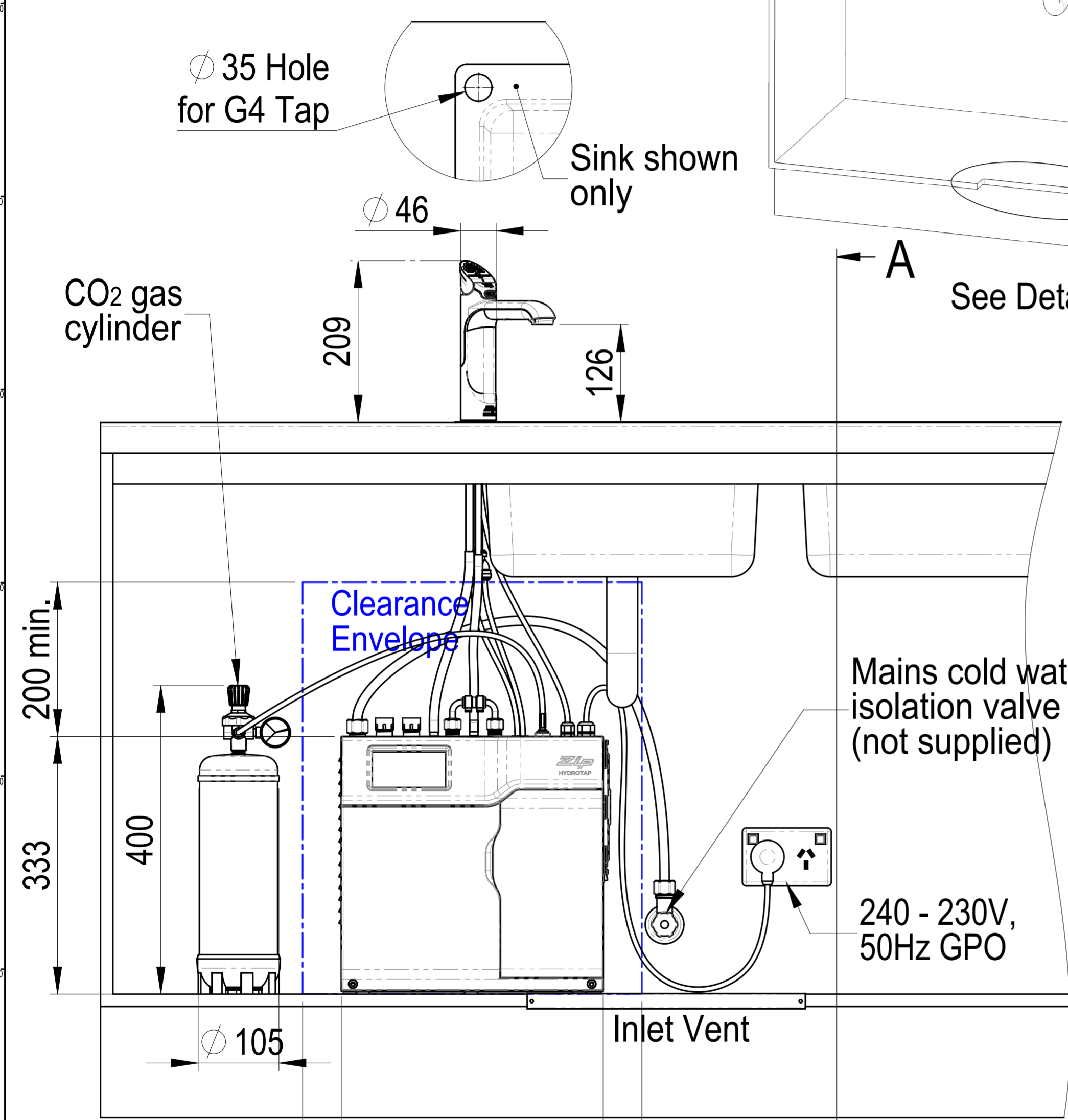
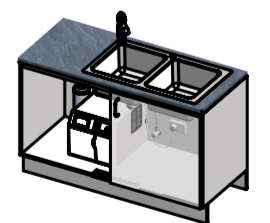
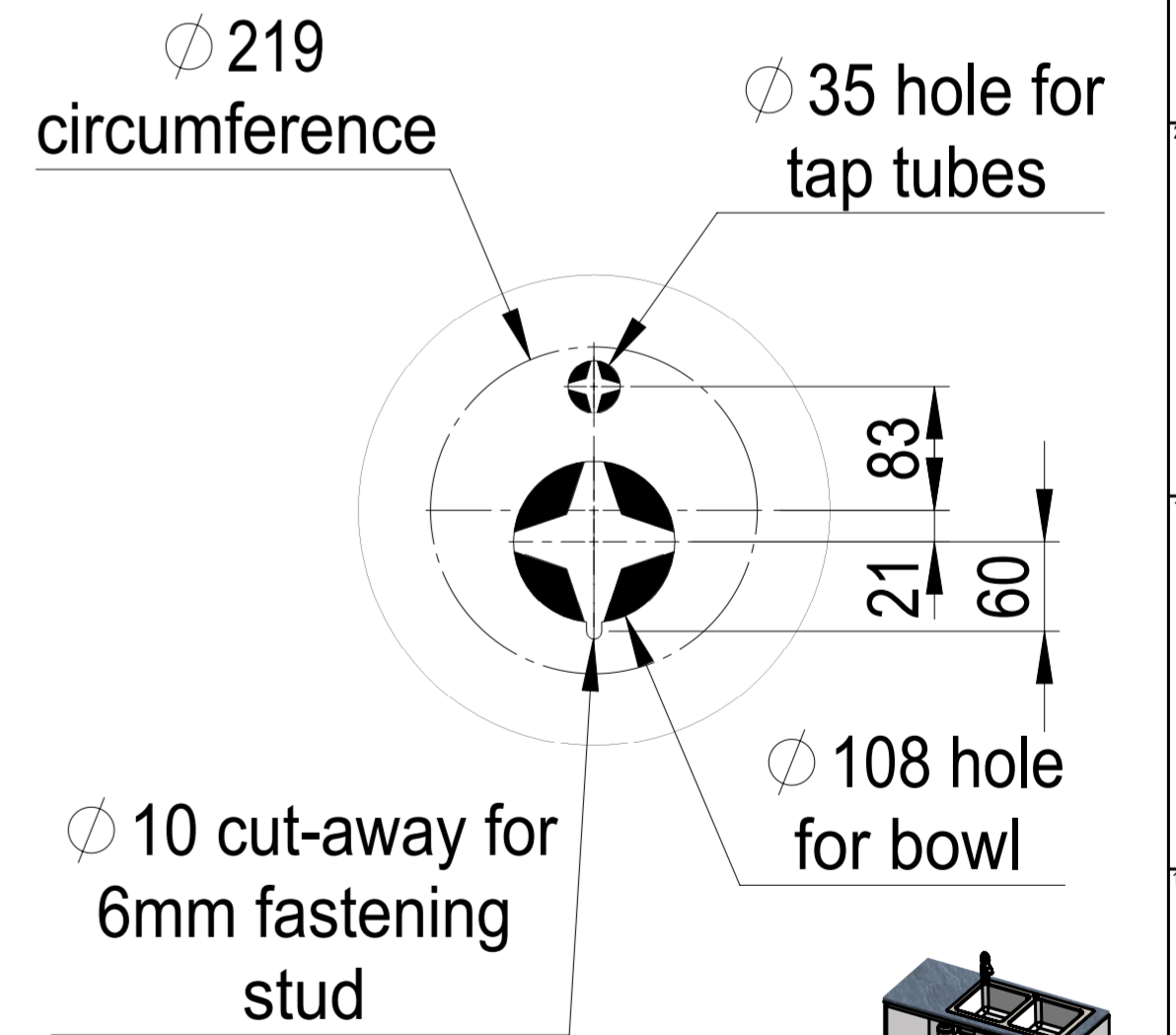
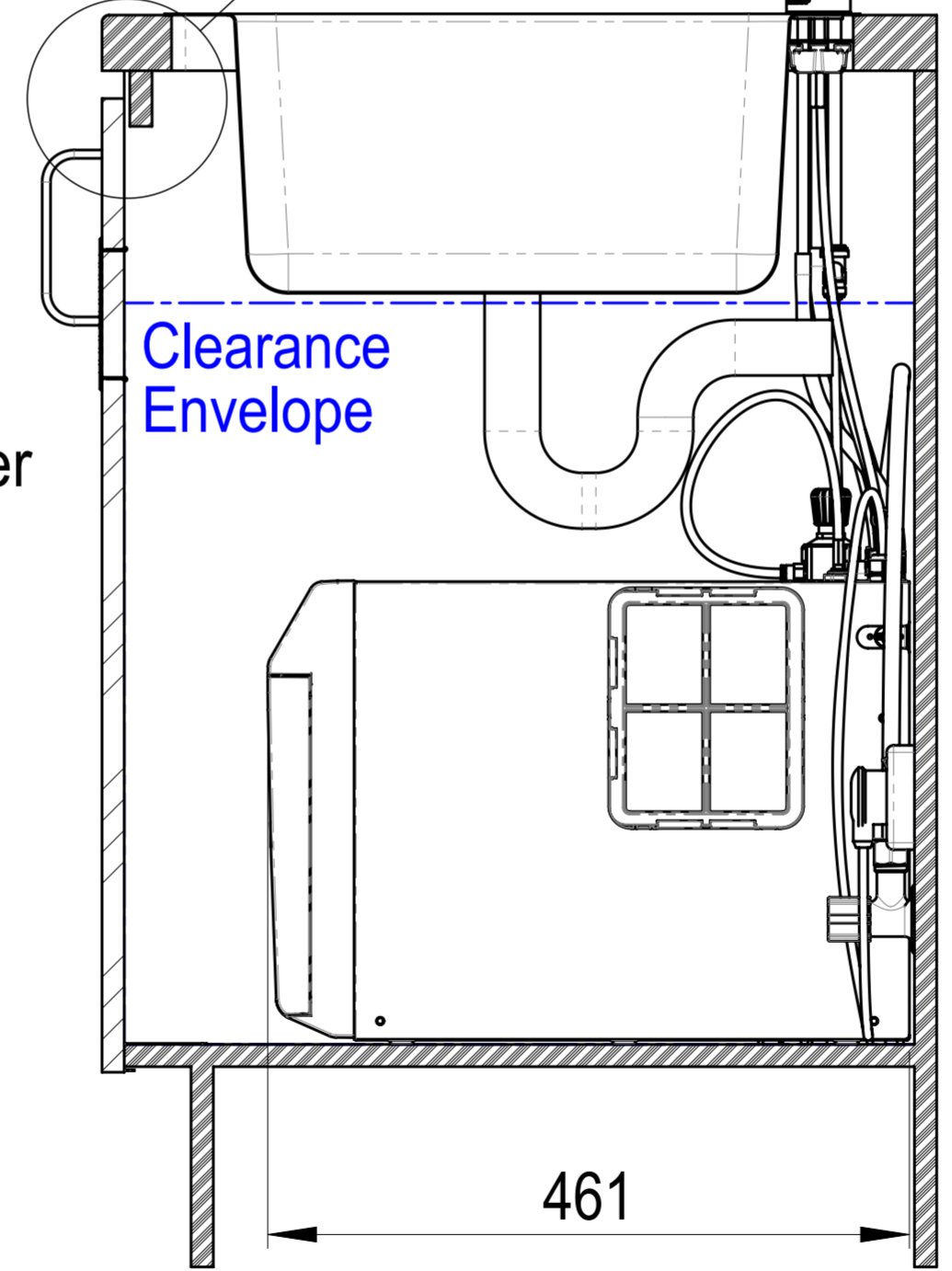


Sheet1 (Default)

Item	Part	Rev	Description	Config	Status	Qty	Notes
1	800544-BCS	00	Tap Assy Commercial - Boiling Chilled Sparkling HydroTap G4	Default	Design	1	
5	A2450	A	Plug - Australian Standard	Default	Production	1	
8	1254AU	A	HydroTap G4 Residential BCS Base Module Mains/UnVented	Default	Production	1	
9	851931	B	Assy - Restrict-A-Flow with ø2.5 Hole	With One (1) Nut	Production	1	
10	802084	A04	** Connector JG 1/4"	Default	Pre-Production	1	
11	800221	C	Air Inlet Grill CFF	Default	Production	1	
12	800349	A	1.2kg CO2 Cylinder Assy	Default	Production	1	
16	83393	A14	Ventilation Grille Halfele	Default	Pending Pre-Production	1	



DETAIL FRONT
SCALE 1 : 5



This drawing is CONFIDENTIAL and is supplied on the express condition that it shall not be LOANED, COPIED or DISCLOSED to any other third party or used for any purpose without the written consent of Zip Industries Pty Ltd. If this document is printed in hardcopy form, it is for INFORMATION ONLY and therefore not subject to updating controls. For the current revision ALWAYS refer to the NATIVE electronic form as stated in the top left-hand corner of this sheet. © copyright Zip Industries Pty Ltd, 16/05/2011

Manufacturing Instructions		Approved by : edgar on 4/08/2015	Description :
Make or Buy : Buy	Checked by : edgar on 4/08/2015	Assy - Kitchen Layout (HydroTap G4 Residential BCS Unit & G4 Tap) 58mm Wider	
Manufacturing Route : Manufacturing Process	Updated by : edgar on 25/08/2016 12:45:13 PM	Material :	Project : HydroTap G4®
Raw material : See Components	See Components	Model : KL002_1256AU0S0Z1R	Configuration : Default
Remove all sharp edges. This drawing ONLY details information which cannot be ascertained from the 3D geometry of the part(s) attached. Model & dimensions are AFTER all finishing operations.	Finish :	Created by & on	EdgarG on 4/05/2011
Comments :	Finish	Created by & on	Rev
Manufacturing Code was 1254AU0S0Z1R	KL002_1256AU0S0Z1R	EdgarG on 16/05/2011	02
Potable? : No	Recyclable? : No	Handled? : No	Size
Volume (m³) : 78578.0	Area (m²) : 132109.2	Derived from : New	A2
Mass (kg) : 87900.1	Density (g/cm³) : 1.1	Scale : 1:1	Sheet : 1 of 1
Drawing Property		Part Property	