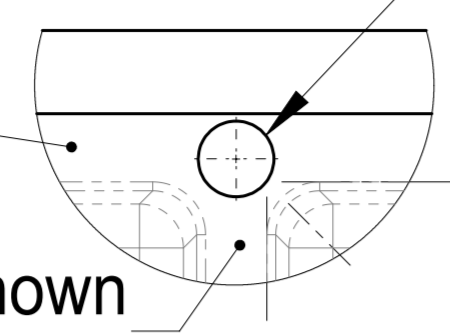
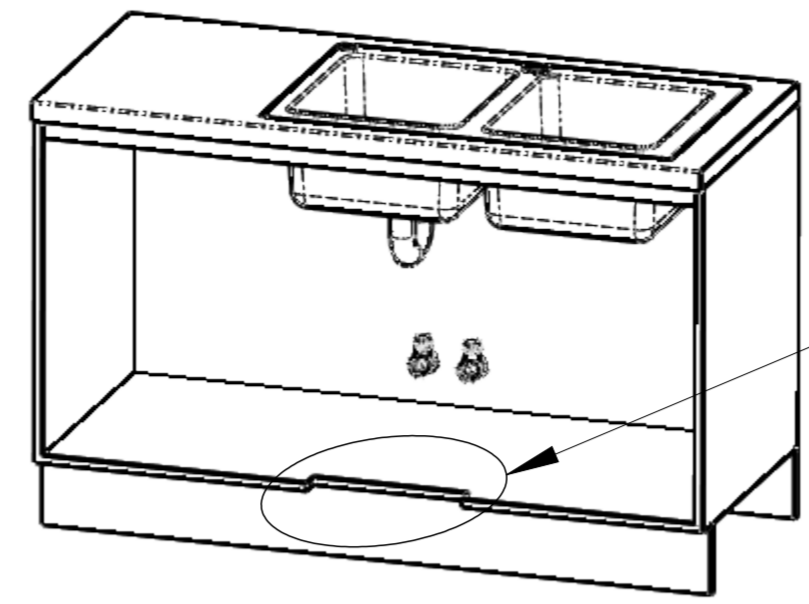


ø50mm Hole for Celsius AIO Tap

Position the Tap such that it dispenses into the sink bowl with ample clearance for a cup or a tea pot.



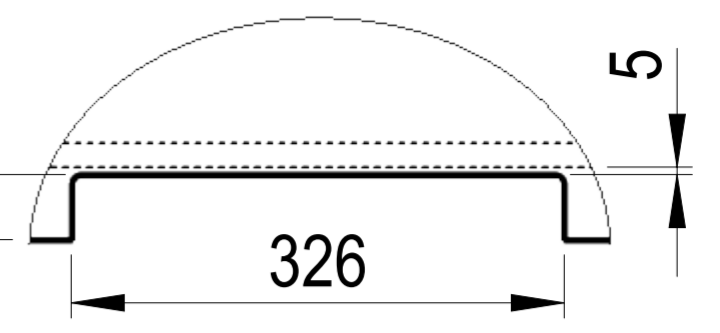
Sink shown only



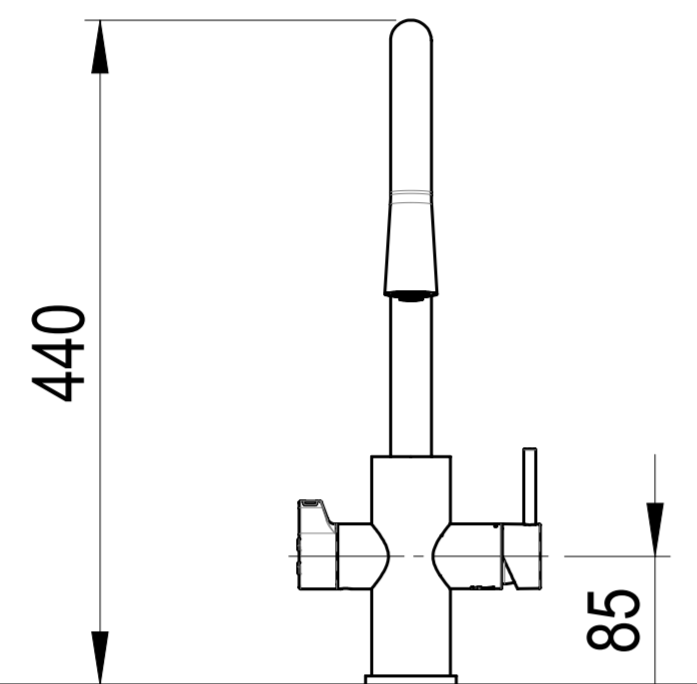
See Detail B

SCALE 1 : 15

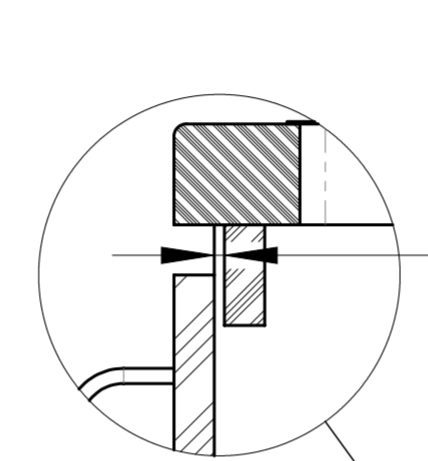
43 max.



B. Cabinet Floor Cut-Out



Connector with strainer



4 min. Buffer Pad Clear Gap

CO2 gas cylinder

Clearance Envelope

400

ø 105

Hot water isolation valve from domestic heater (not supplied)

50 min

Mains cold water isolation valve (not supplied)

50 min

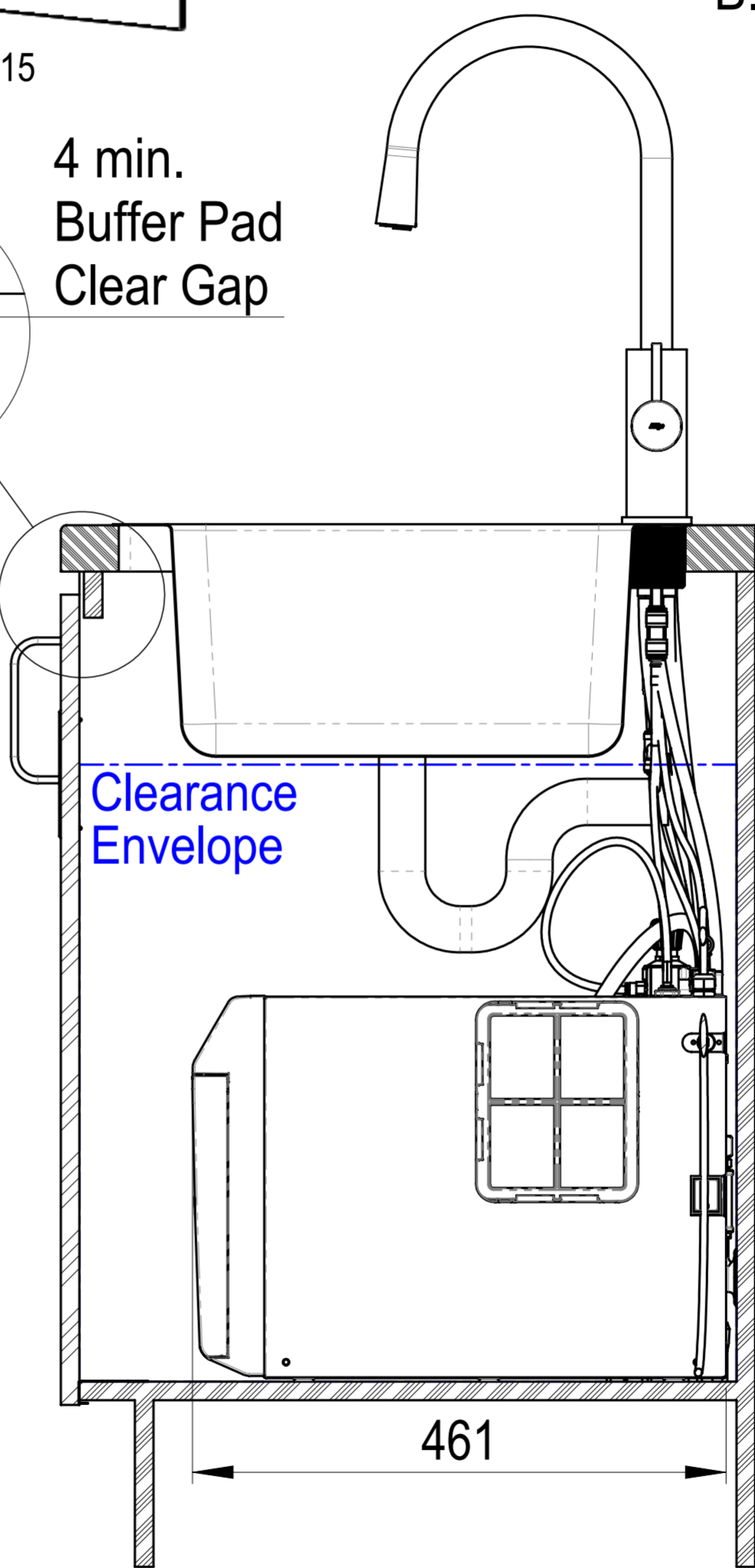
Inlet Vent

200 min.

333

338

240 - 230V, 50Hz GPO



SECTION A-A

SCALE 1 : 5

461

440

220

R110

5°

151

CELSIUS AIO TAP

1256AU0D4ZN1R