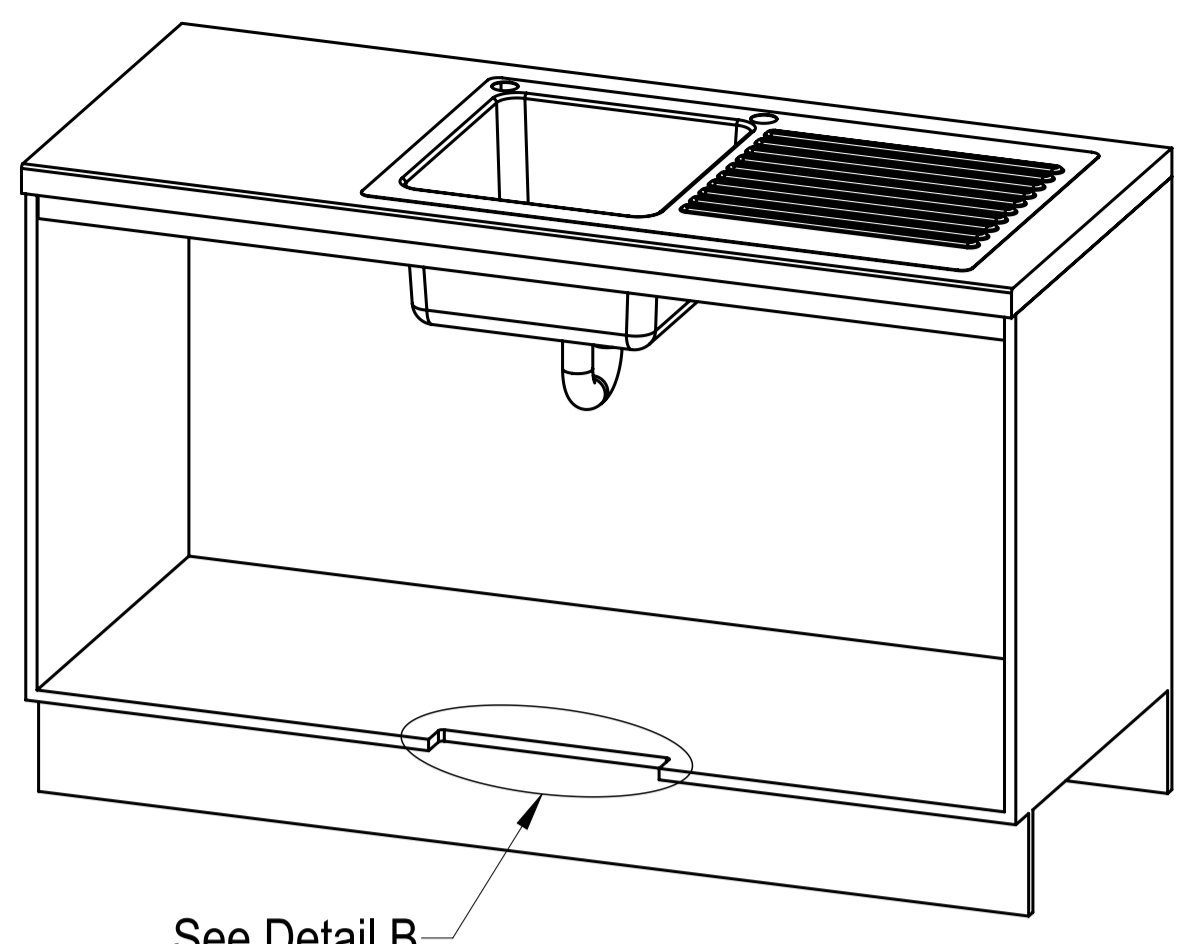
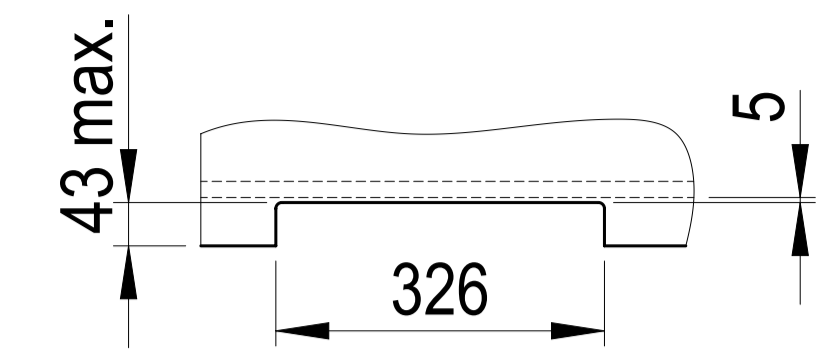


Item	Part	Rev	Description	Status	Qty	Make or Buy?
5	800221	C	Air Inlet Grill CFF	Production	1	Make
6	83303	A	Ventilation Grille Hafele	Production	1	Buy
7	802433	00	HydroTap Arc Tap	Design	1	Buy
10	1214AU	01	HydroTap G4 Residential BC Base Module	Prototype	1	Buy

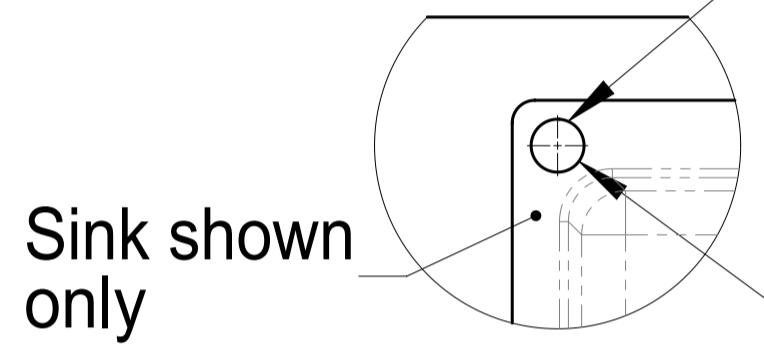


See Detail B
Ventilation Detail

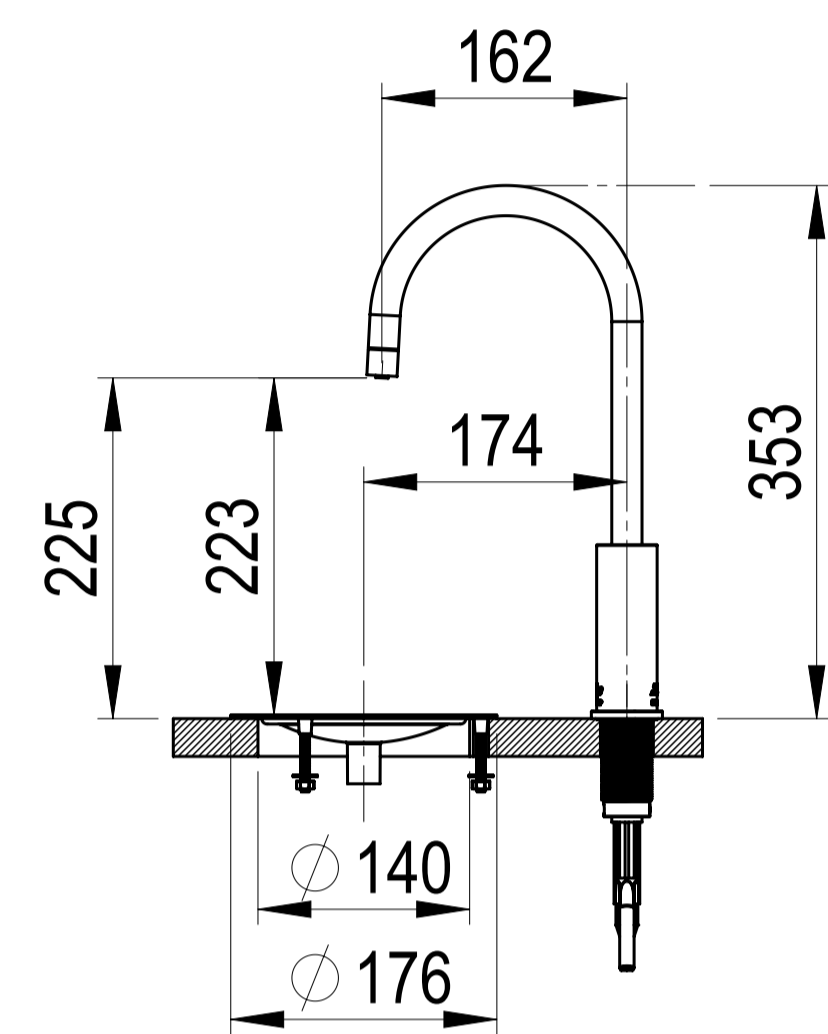


DETAIL B: Cabinet Floor Cut-Out
 SCALE 1 : 7.5

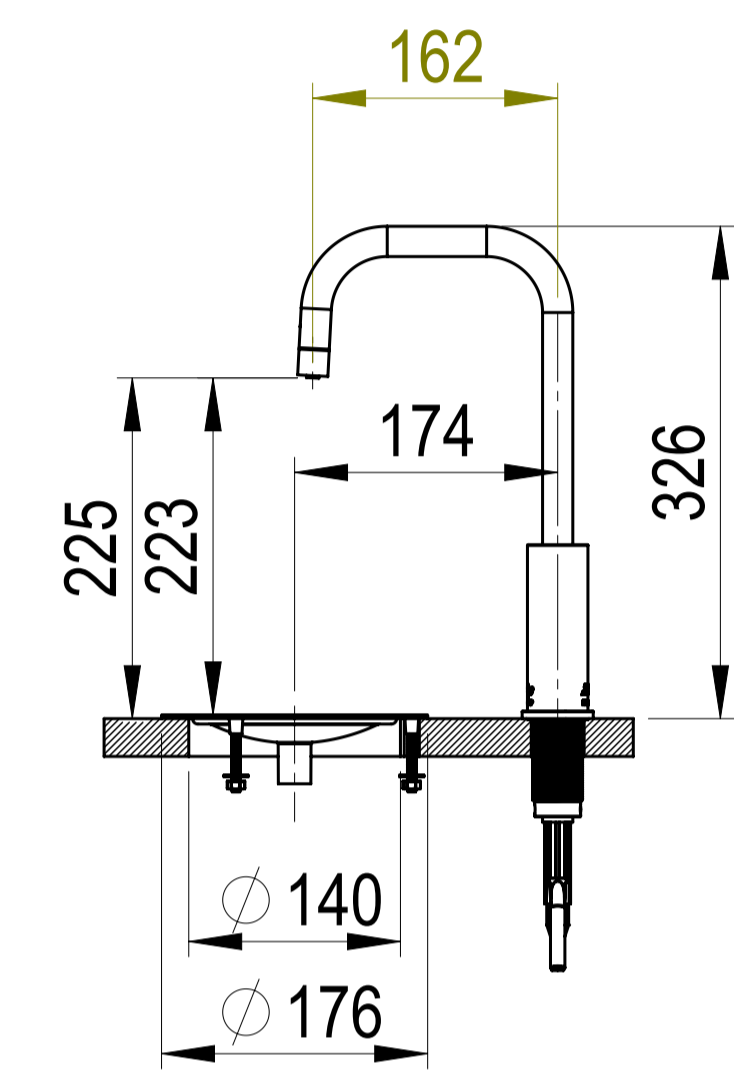
Position the Tap such that it dispenses into the sink bowl with ample clearance for a cup or a tea pot. Alternatively, the Tap could be mounted away from the sink using a Zip Font available as an accessory.



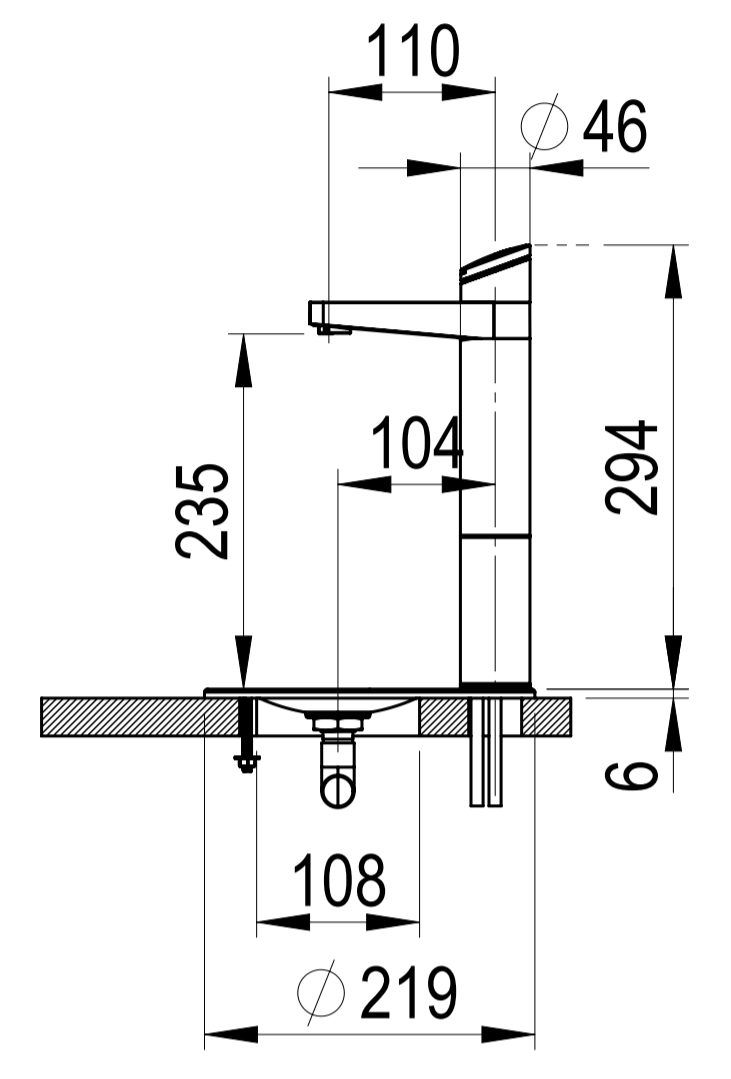
Ø 35 Hole for HydroTap Arc, HydroTap Cube or Elite Taps



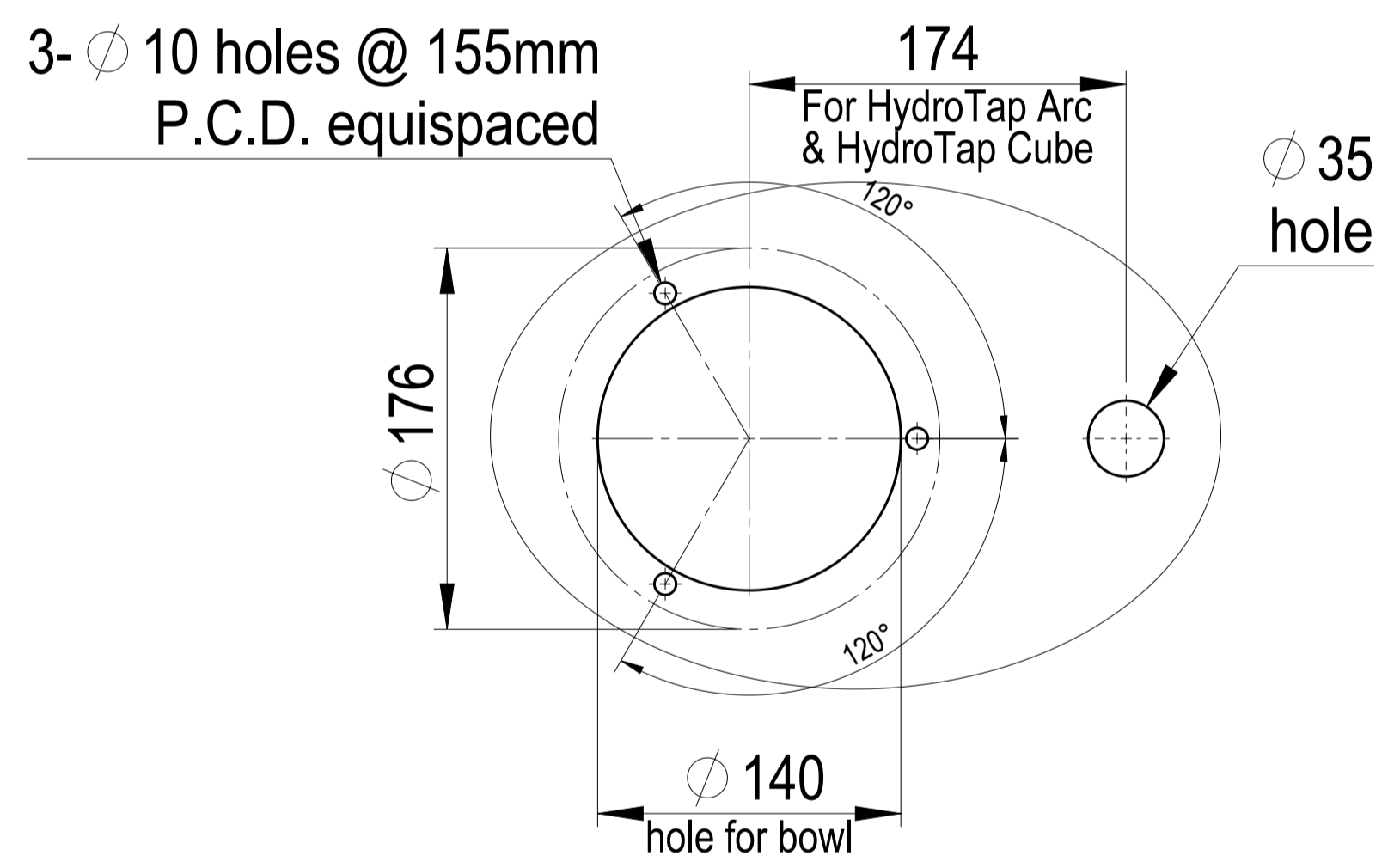
HydroTap Arc with Font



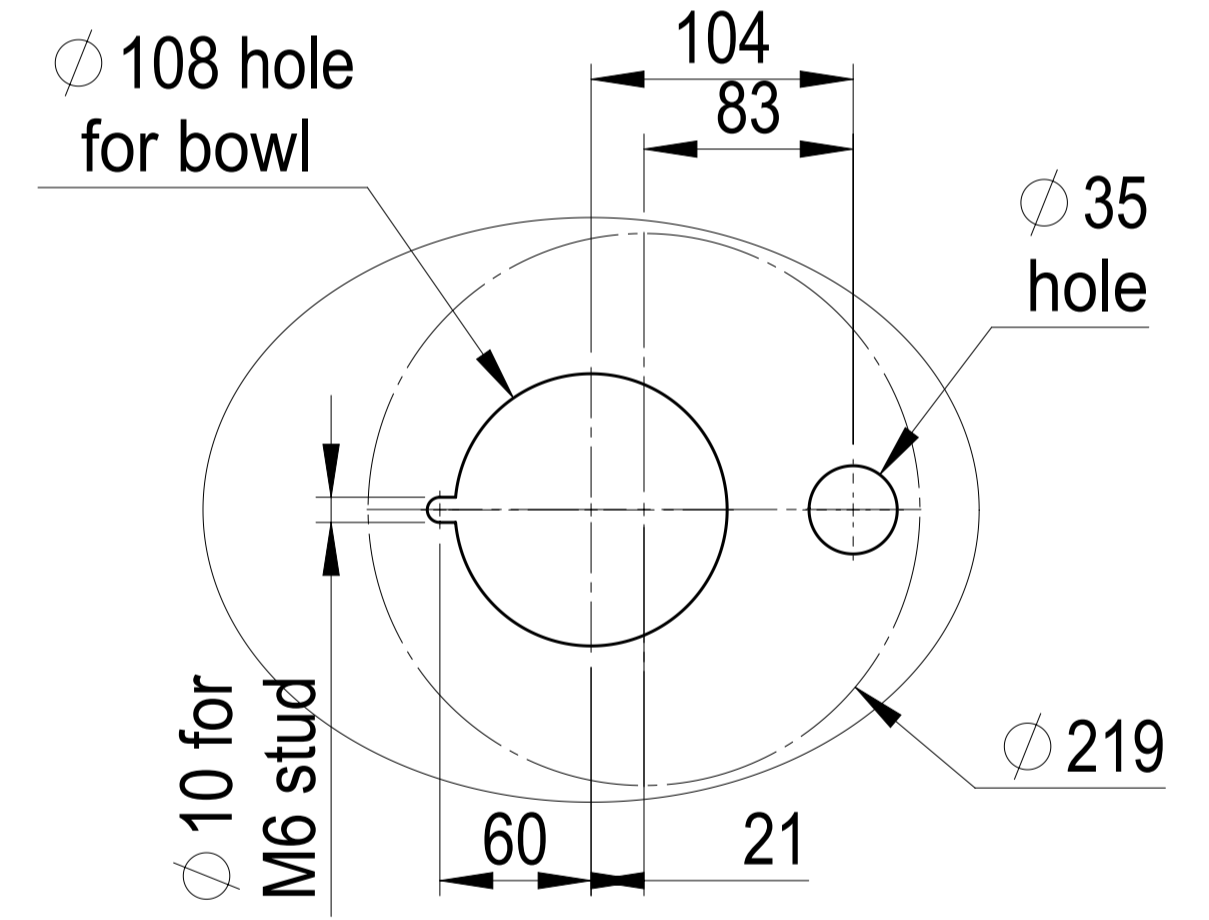
HydroTap Cube with Font



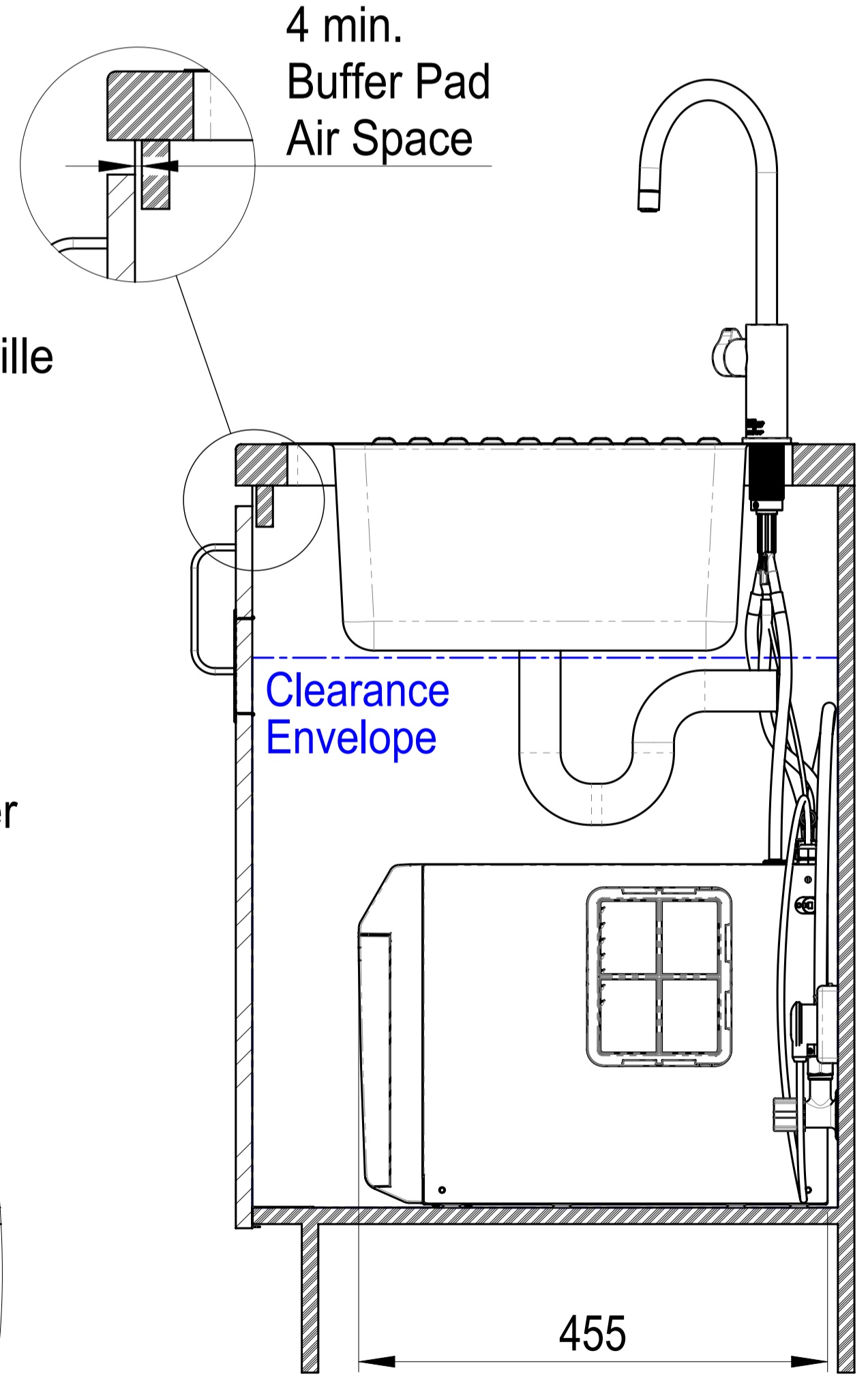
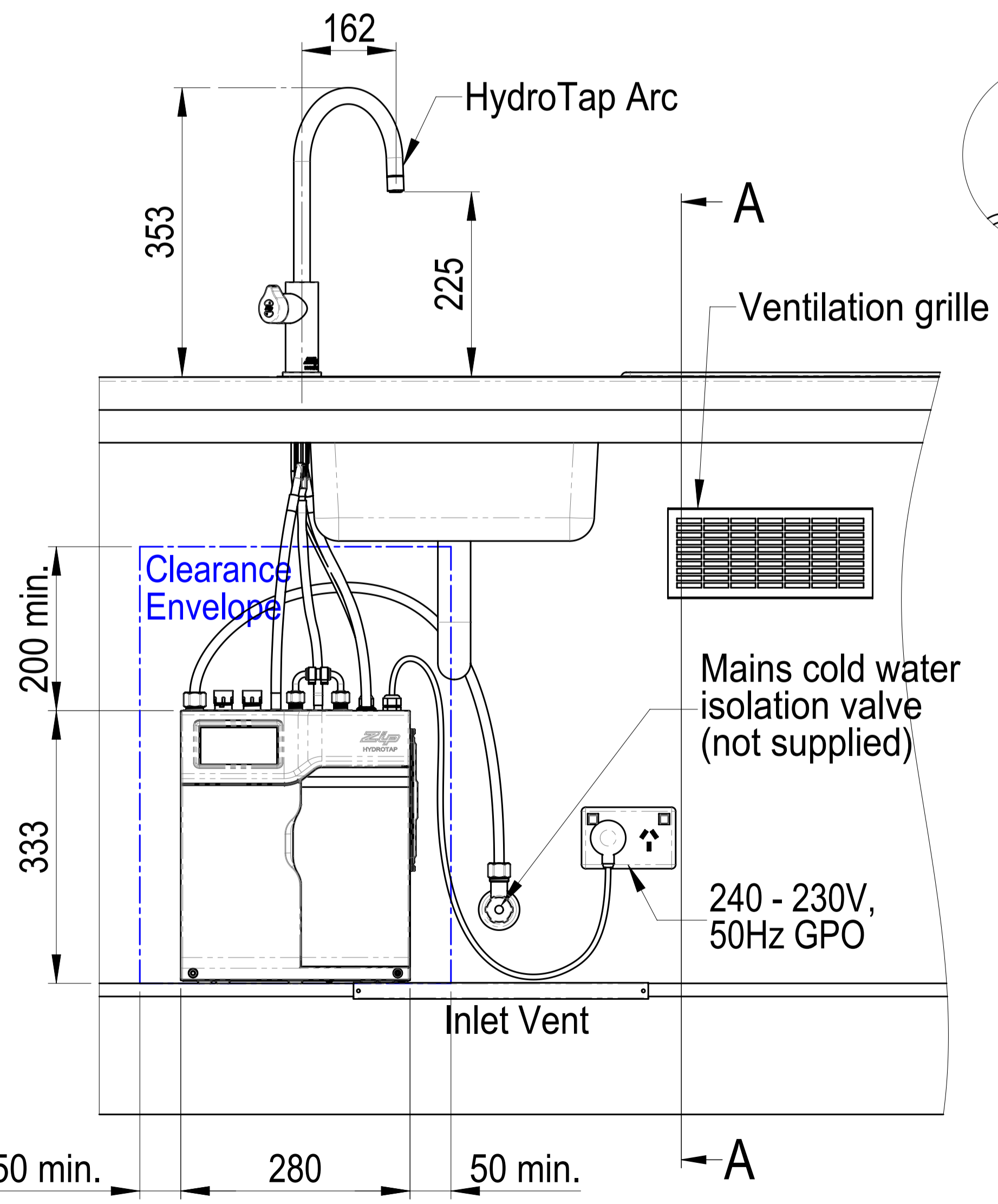
Elite Tap with Font



Cutting Detail for HydroTap Arc & HydroTap Cube with Font

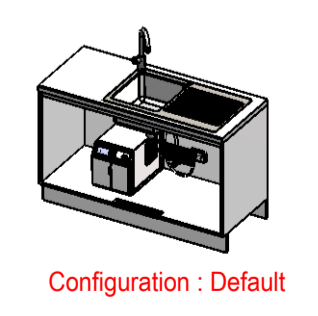


Cutting Detail for Elite Tap with Font



SECTION A-A
 SCALE 1 : 5

This set-up is applicable to:
 BC Residential:
 HT2784: 1214AU0T0ZN1R w/ HydroTap Arc Tap
 HT3784: 1214AU0U0ZN1R w/ HydroTap Cube Tap
 HT4784: 1214AU0E0ZN1R w/ Elite Tap



Configuration : Default

This drawing is CONFIDENTIAL, and is supplied on the express condition that it shall not be LOANED, COPIED or DISCLOSED to any other third party or used for any purpose without the written consent of Zip Industries Pty Ltd. This document is printed in hardcopy form. It is for INFORMATION ONLY and therefore not subject to updating controls. For the current revision ALWAYS refer to the MATRICE document form as stated in the top left hand corner of this sheet. © copyright Zip Industries Pty Ltd. 16/05/2011		Zip Industries	
Manufacturing Instructions Make or Buy: Buy Manufacturing Route: Manufacturing Process Raw material: See Components Remove all sharp edges. This drawing ONLY details information which cannot be ascertained from the 3D geometry of the part(s) attached. Model & dimensions are AFTER all finishing operations.		Approved by: rscott on 11/11/2014 Checked by: rscott on 11/11/2014 Updated by: edg on 11/05/2015 8:16:23 AM Material: See Components Finish:	
Description: Assy - Kitchen Layout (HydroTap G4 Residential BC & HydroTap Arc, Cube & Elite Taps) Model: KL002_1214AU0T0ZN1R Project: HydroTap G4R8 Drawing: KL002_1214AU0T0ZN1R Volume: 7570 Area: 12485.5 Mass: 84104.8 Density: 1.1 Status: Prototype Probab? NO Recyclable? NO Handled? NO		Created by & on: Edg on 16/05/2011 Created by & on: Edg on 16/05/2011 Size: A1 Conf: Property Conf: Property	