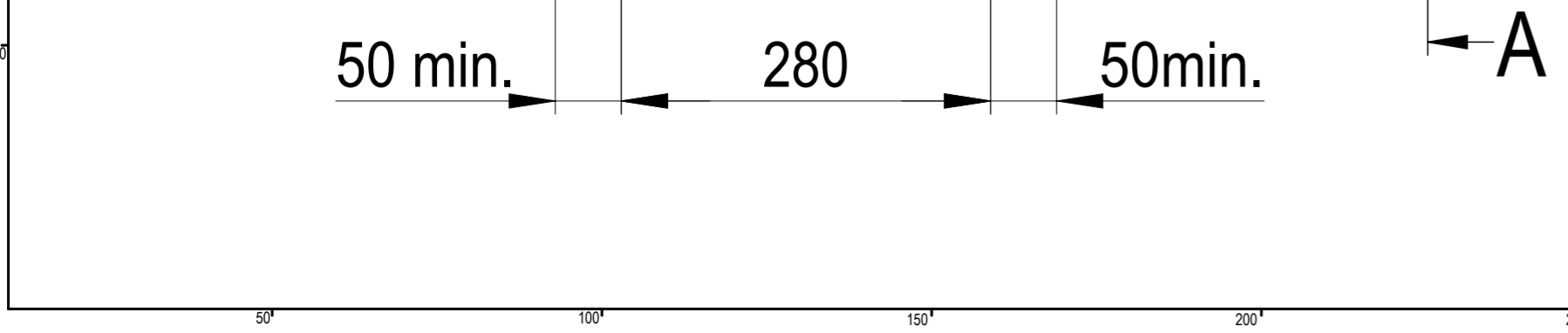
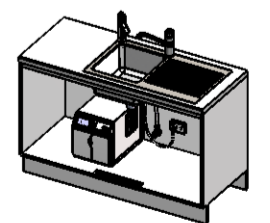
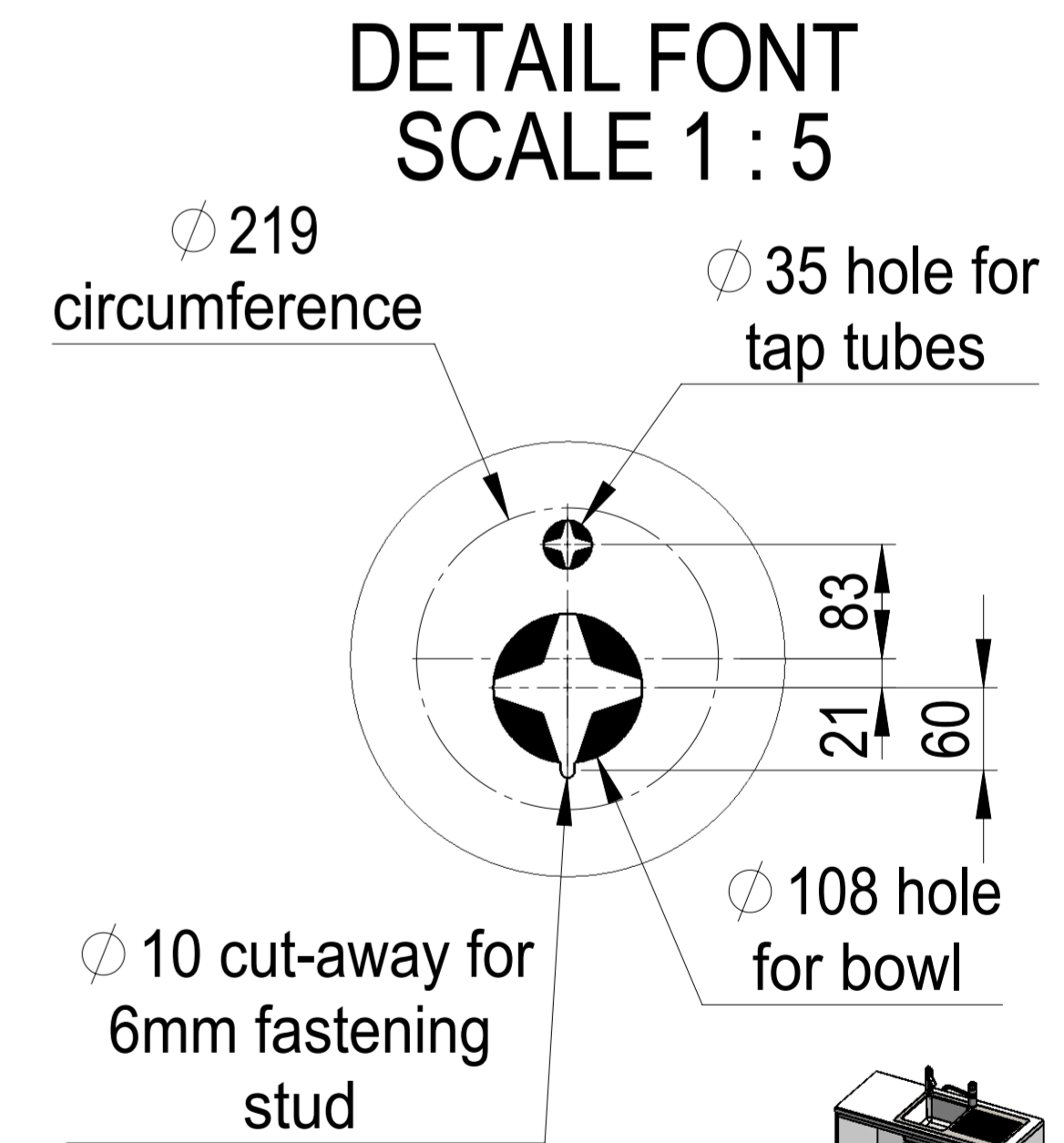
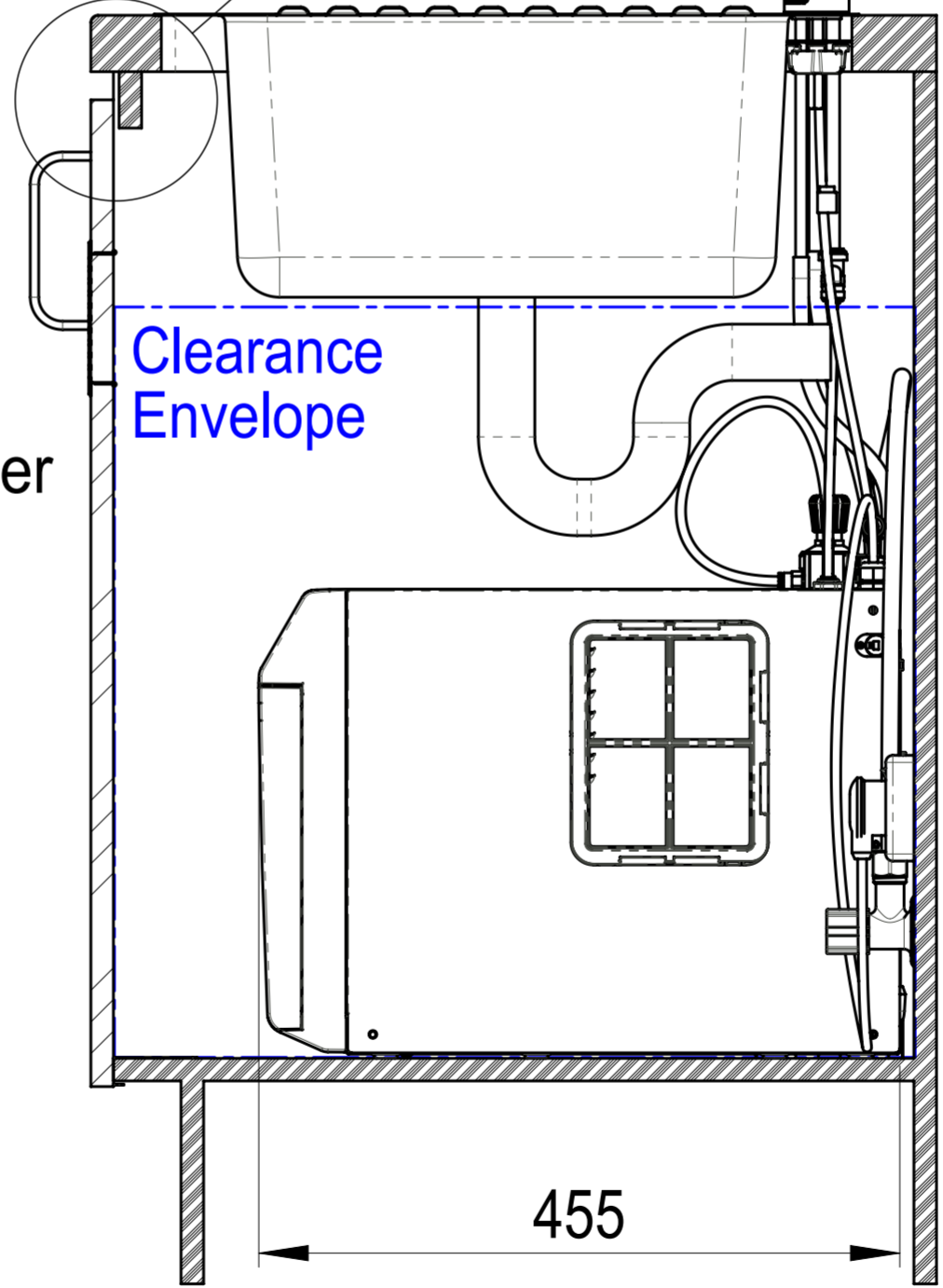
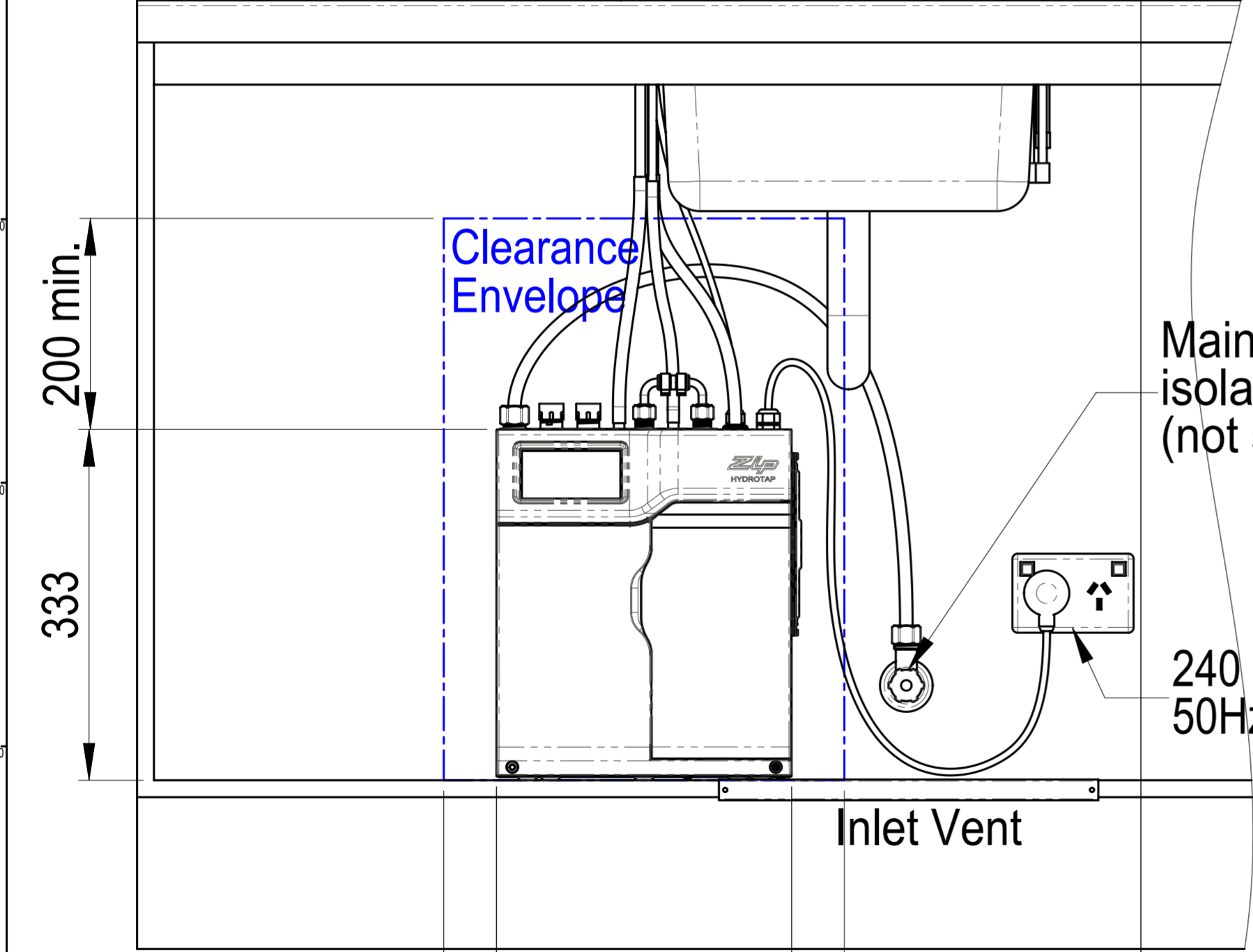
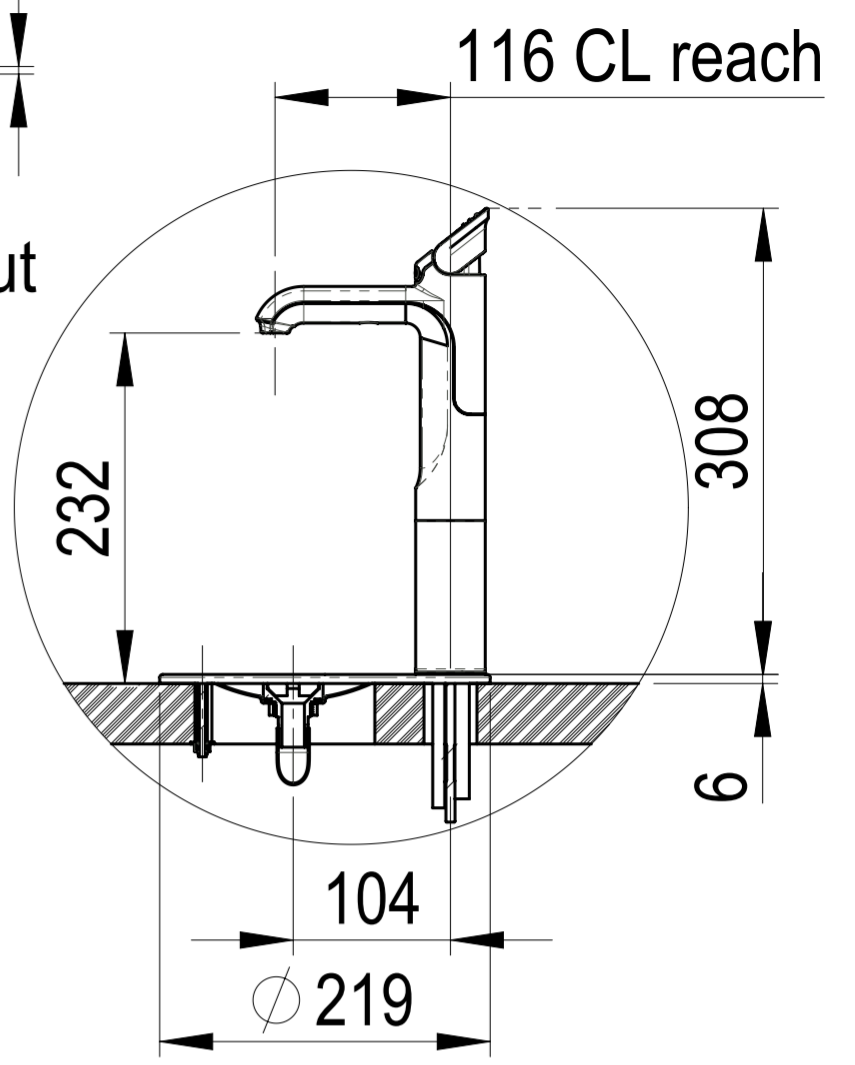
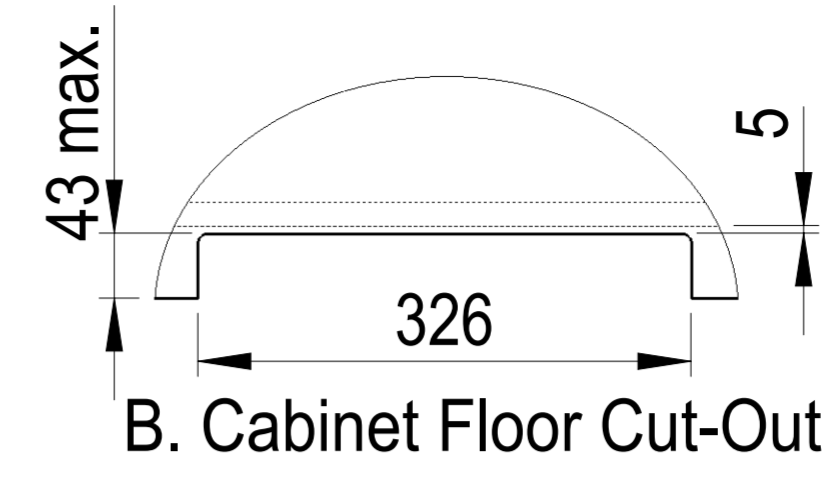
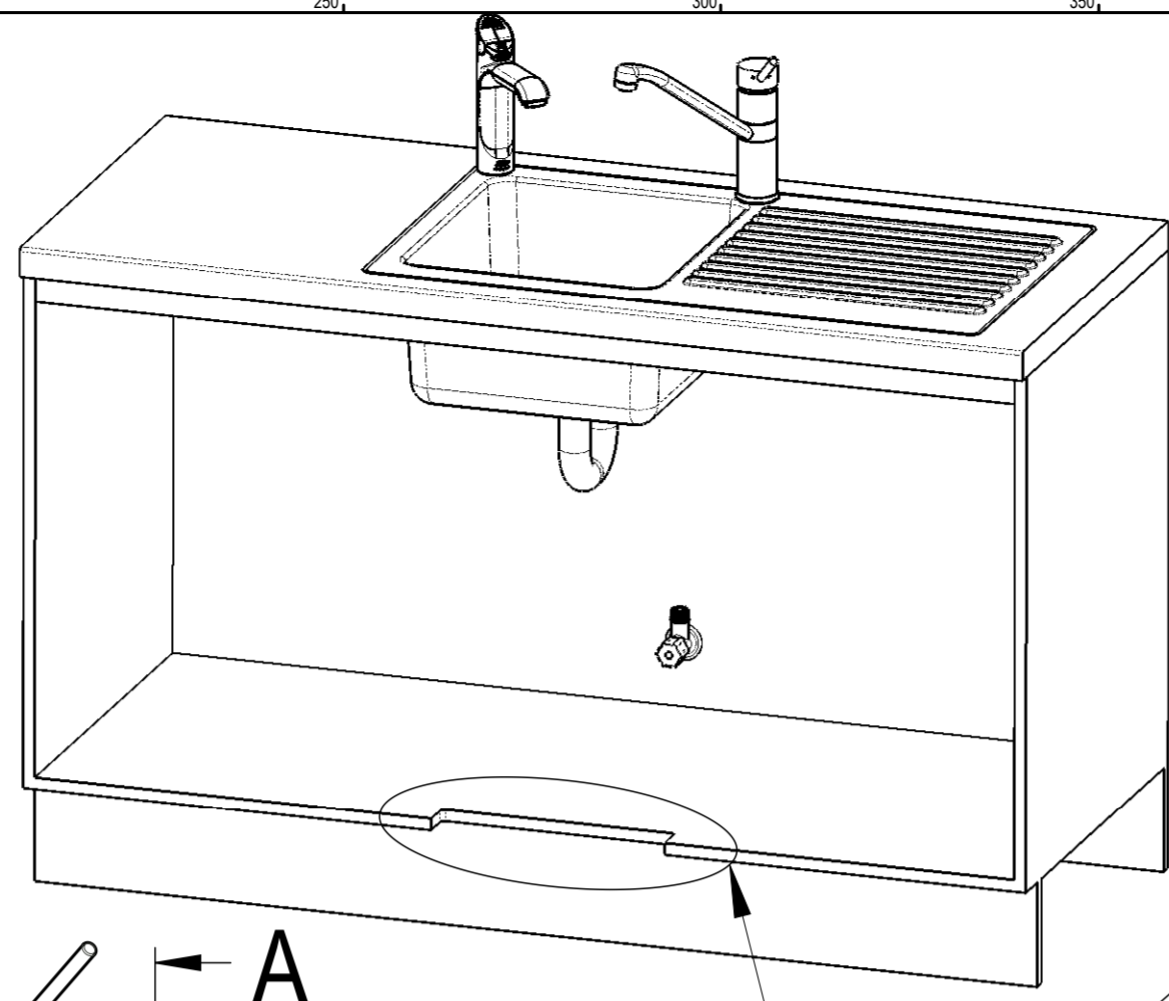
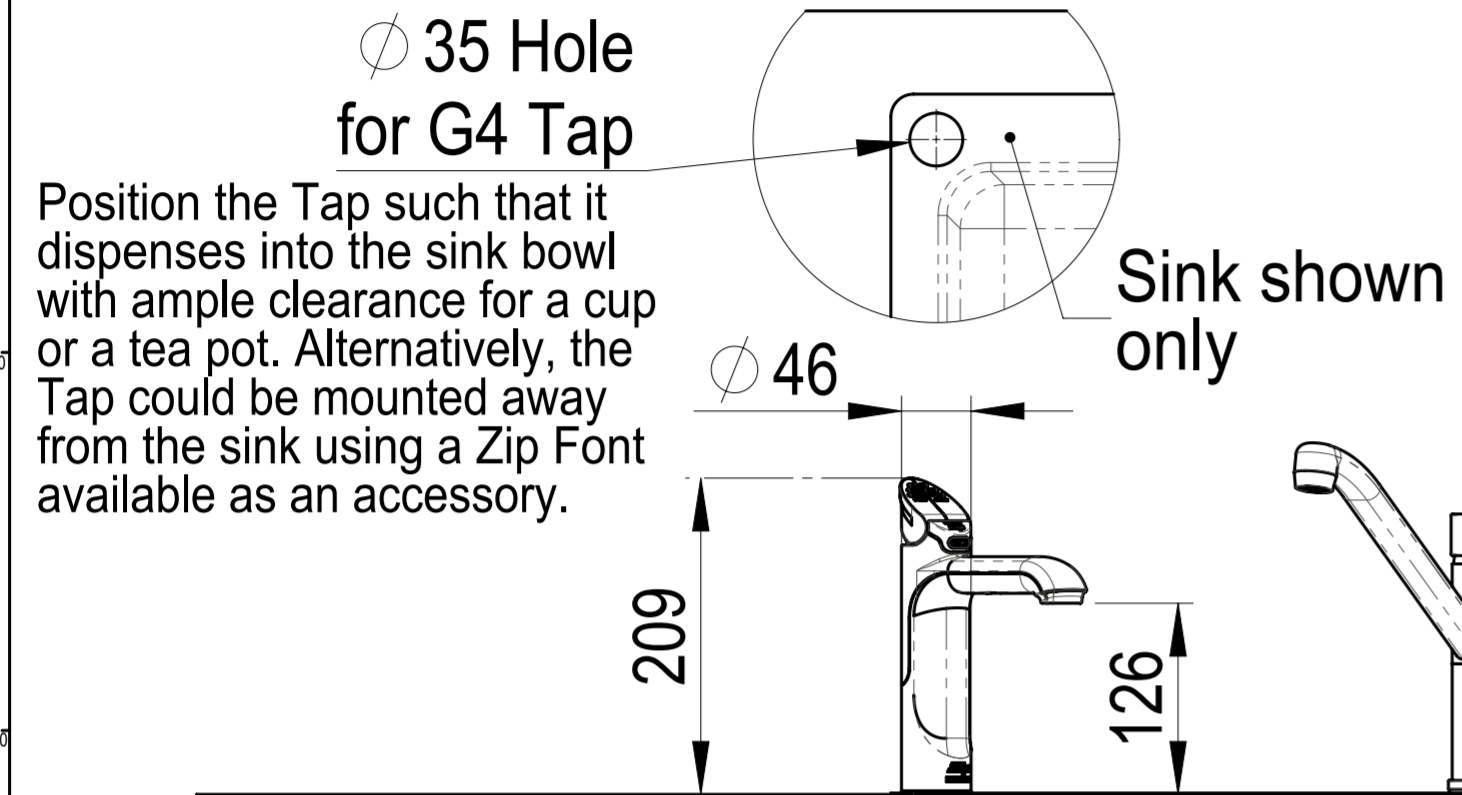


Sheet1 (Default)

Item	Part	Rev	Description	Config	Status	Qty	Notes
1	800544-BC	00	Tap Assy Commercial - Boiling Chilled HydroTap G4	Default	Design	1	
3	Part10*KL002_12 14AU0H0ZNR	A	Description (Part)	Default	Production	1	
5	A2450	A	Plug - Australian Standard	Default	Production	1	
6	Part10*KL002_12 14AU0H0ZNR	00	Description (Config)	Default	Design	1	
7	1214AU	00	HydroTap G4 Residential BC Base Module Mains/UV	Default	Design	1	
10	800221	C	Air Inlet Grill CFF	Default	Production	1	
11	Part10*KL002_12 14AU0H0ZNR	00	Description (Config)	Default	Design	1	
13	Part10*KL002_12 14AU0H0ZNR	00	Description (Config)	Default	Design	1	
14	Part11*KL002_1 214AU0H0ZNR	00	Description (Config)	Default	Design	1	



**SECTION A-A**  
**SCALE 1 : 5**

This drawing is CONFIDENTIAL and is supplied on the express condition that it shall not be LOANED, COPIED or DISCLOSED to any other third party or used for any purpose without the written consent of Zip Industries Pty Ltd. If this document is printed in hardcopy form, it is for INFORMATION ONLY and therefore not subject to updating controls. For the current revision ALWAYS refer to the NATIVE electronic form as stated in the top left-hand corner of this sheet. © copyright Zip Industries Pty Ltd, 16/05/2011

<b>Manufacturing Instructions</b>		Approved by: Unapproved on 1/03/2011	Description:
Make or Buy: Buy	Checked by: Unchecked on 1/01/2001	Updated by: edgar on 12/06/2014 3:20:11 PM	Assy - Kitchen Layout (HydroTap G4 Residential BC & G4 Tap)
Manufacturing Route: Manufacturing Process	Material: See Components	Project: HydroTap G48	Configuration: Default
Raw material: See Components	Remove all sharp edges. This drawing ONLY details information which cannot be ascertained from the 3D geometry of the part(s) attached. Model & dimensions are AFTER all finishing operations.	Model: KL002_1214AU0H0ZNR	Created by & on: Edgarg on 4/05/2011
Finish: Finish	Comments:	KL002_1214AU0H0ZNR	Created by & on: Edgarg on 16/05/2011
Volume (mm <sup>3</sup> ): 76067.4	Area (mm <sup>2</sup> ): 125148.2	Derived from: New	Colour: Colourless
Mass (g): 85498.4	Density (g/mm <sup>3</sup> ): 1.1	Scale: 1:1	Status: Production
Potable?: No	Recyclable?: No	Handed?: No	Sheet: 1 of 1

WMKA 00099; CS8328  
 Watermark Exp: 26-10-2017; CS Exp: 18-8-2014

**Zip Industries** **Zip**