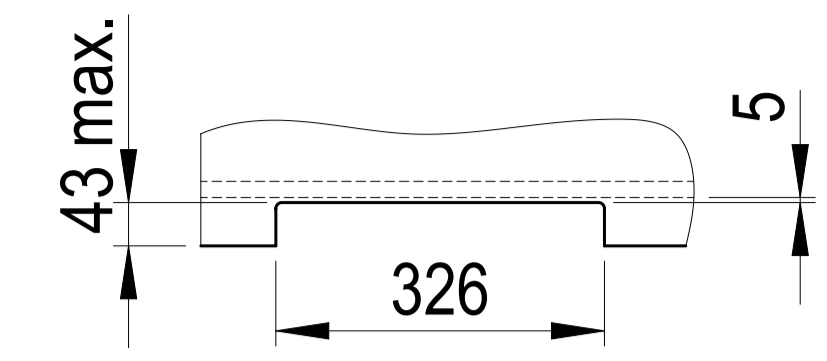
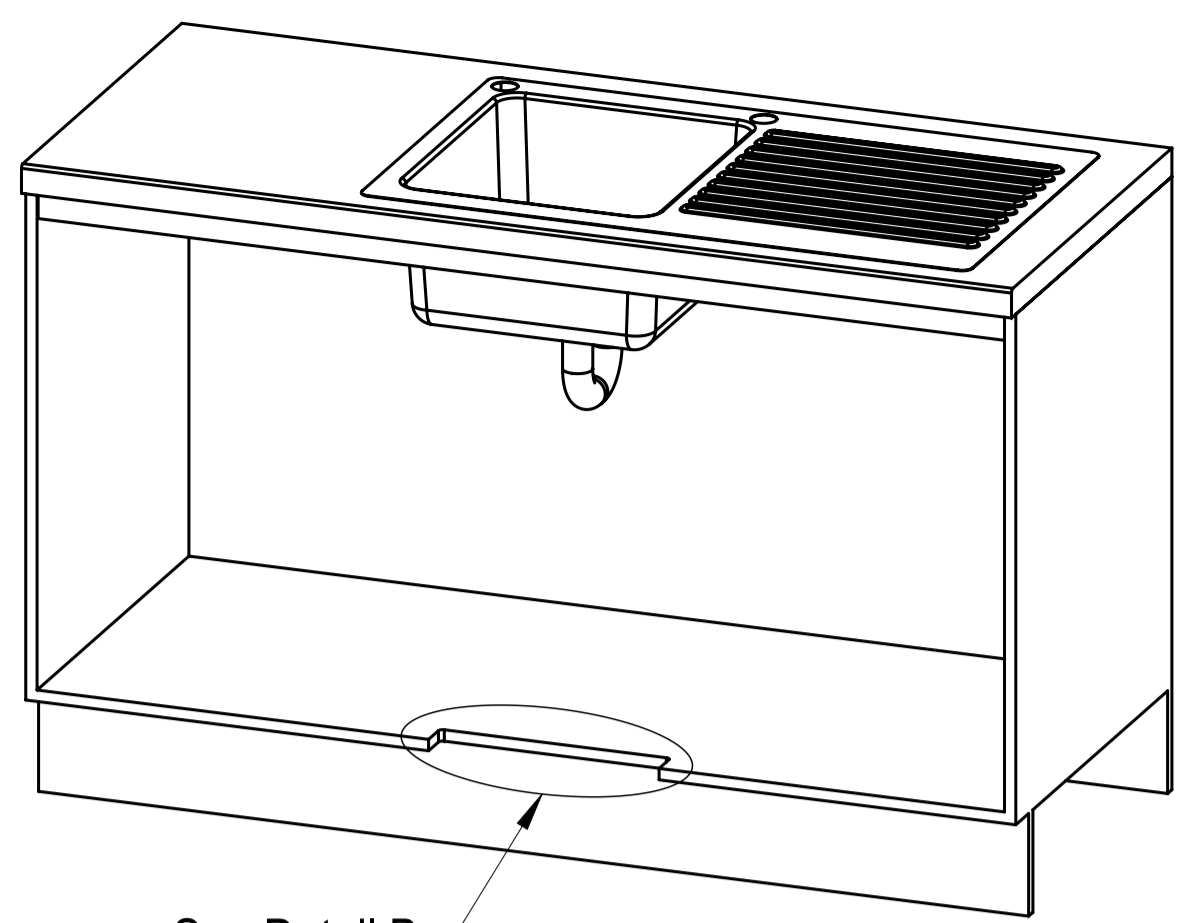


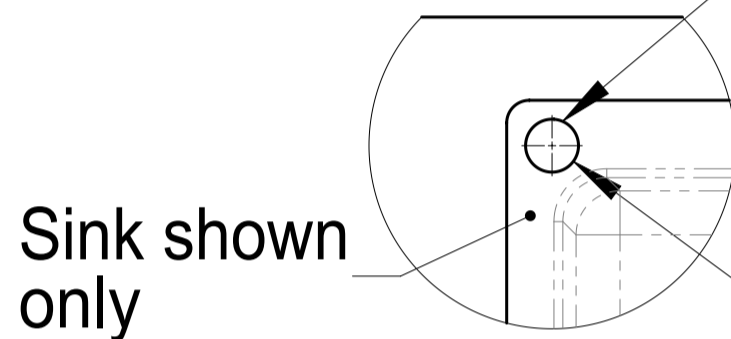
Item	Part	Rev	Description	Status	Qty	Make or Buy?
5	800221	C	Air Inlet Grill CFP	Production	1	Make
6	83303	A13	Ventilation Grille Hafele	Pending Pre-Production	1	Buy
7	802433	00	HydroTap Arc Tap	Design	1	Buy
8	802084	A04	"M" Connector JG 1/4"	Pending Pre-Production	1	Buy
9	93255	A01	Q1 F02 2 x 1kg Gas+Regulator 1kg(2.2L) Cylinder	Prototype	1	Buy
11	0056AU	00	HydroTap G4 Residential CS Base Module Upgraded 2016 w/ IEC	Design	1	Buy
17	A2872	01	IEC Female Plug	Pending Pre-Production	1	Buy



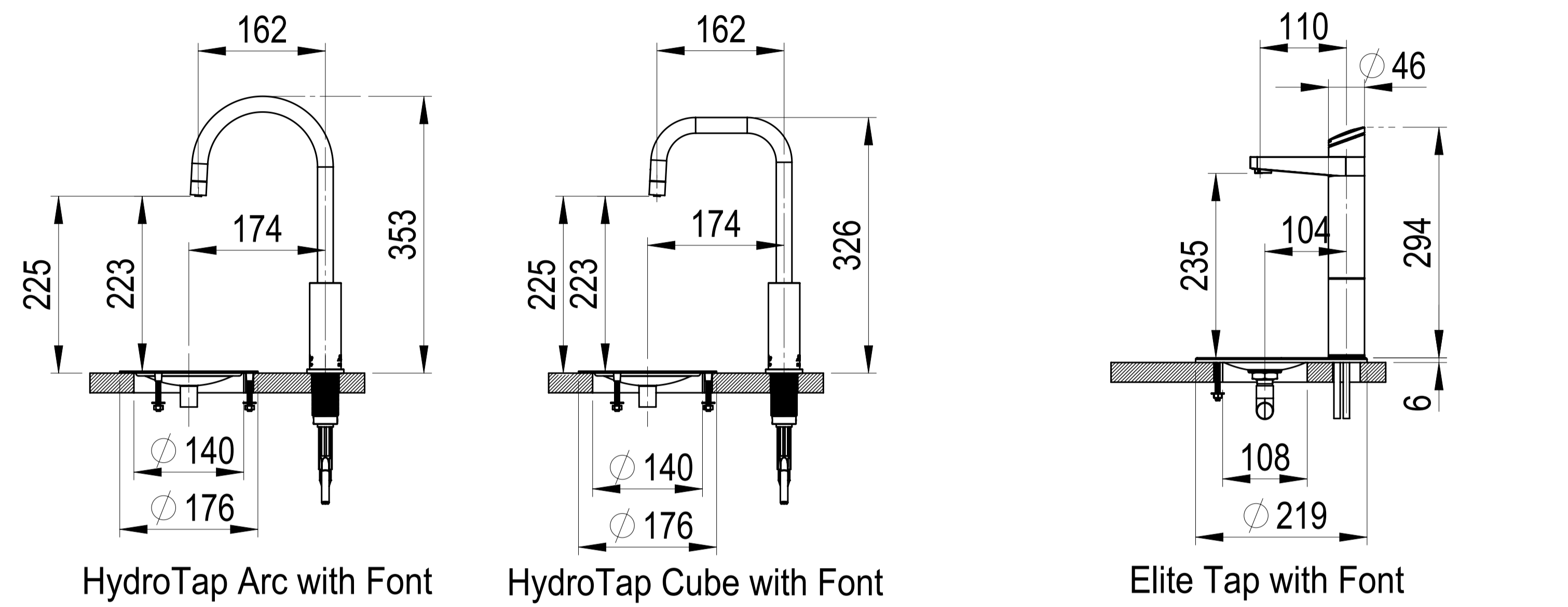
DETAIL B: Cabinet Floor Cut-Out
 SCALE 1 : 7.5

Ventilation Detail

Position the Tap such that it dispenses into the sink bowl with ample clearance for a cup or a tea pot. Alternatively, the Tap could be mounted away from the sink using a Zip Font available as an accessory.



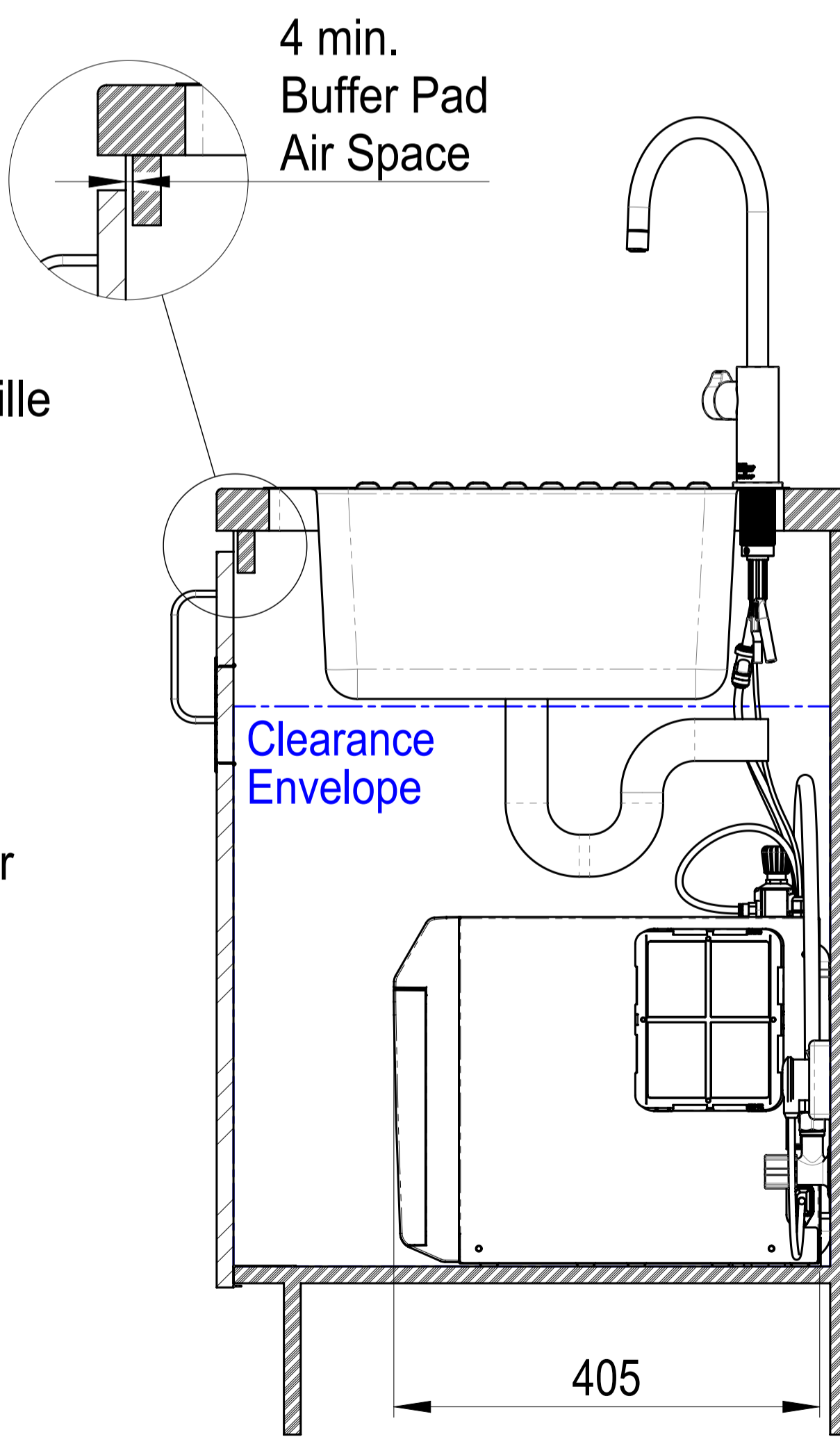
Ø 35 Hole for HydroTap Arc, HydroTap Cube or Elite Taps



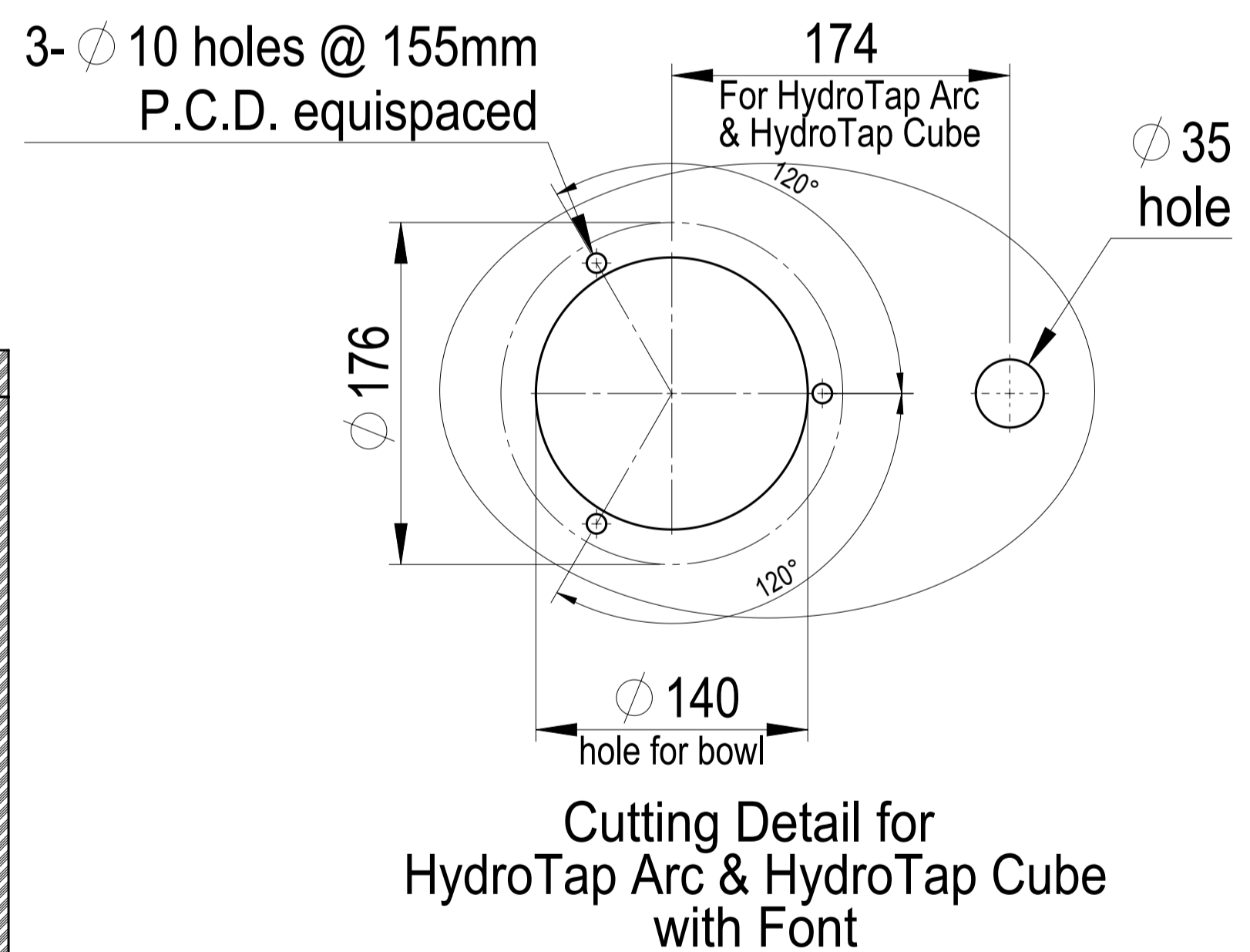
HydroTap Arc with Font

HydroTap Cube with Font

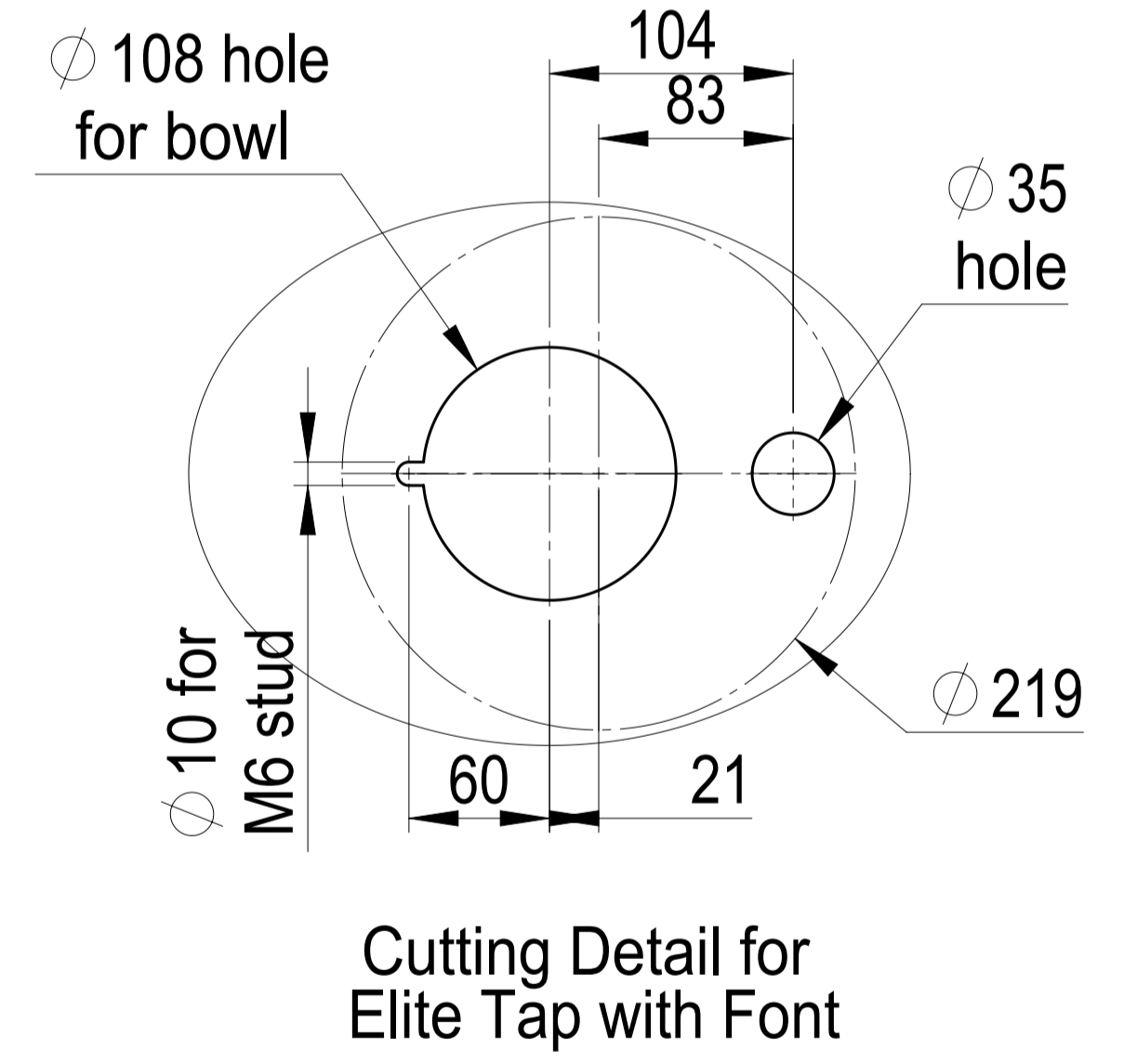
Elite Tap with Font



SECTION A-A
 SCALE 1 : 5

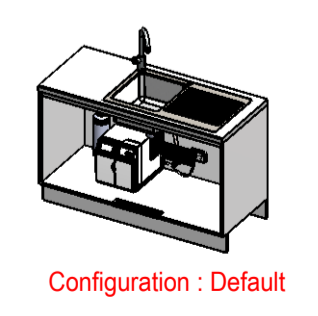


Cutting Detail for HydroTap Arc & HydroTap Cube with Font



Cutting Detail for Elite Tap with Font

This set-up is applicable to:
 CS Residential:
 HT2787: 0056AU0T0ZN1R w/ HydroTap Arc Tap
 HT3787: 0056AU0U0ZN1R w/ HydroTap Cube Tap
 HT4787: 0056AU0E5ZN1R w/ Elite Tap



Manufacturing Instructions		Approved by: edgag on 14/10/2016		Description	
Make or Buy: Buy	Checked by: edgag on 14/10/2016	Assy - Kitchen Layout (HydroTap G4 Residential CS Unit & HydroTap Arc, Cube & Elite Tap Upgraded)			
Manufacturing Route: Manufacturing Process	Updated by: edgag on 19/04/2016 11:42 PM	Model: KL002_0056AU0T0ZN1R			
Raw material: See Components	Material: See Components	Project: HydroTap G4R	Configuration: Default	Created by & on: Edgag on 16/05/2011	Rev: 02
Remove all sharp edges. This drawing ONLY details information which cannot be ascertained from the 3D geometry of the part(s) attached. Model & dimensions are AFTER all finishing operations.	Finish: Finish	Drawing: KL002_0056AU0T0ZN1R			
Volume: 78435	Area: 134772	Derived from: New	Colour: Colourless	Size: A1	Custom Property: A1
Mass: 86689.9	Density: 1.1	Scale: 1:1	Sheet: 1 of 1	Config Property: Config Property	Custom Property: Custom Property