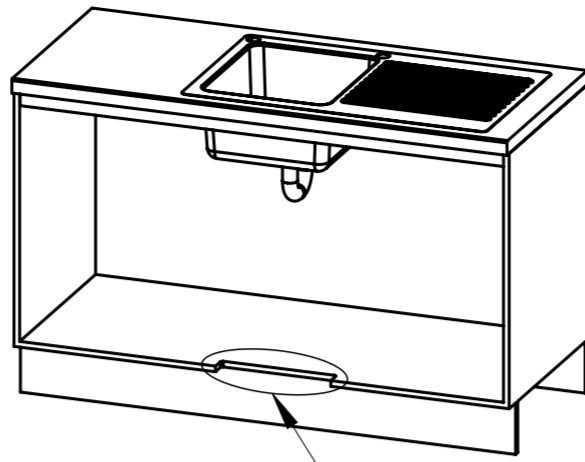
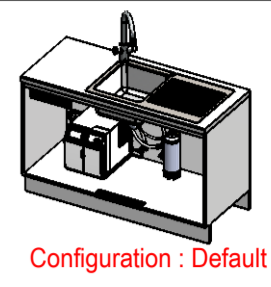
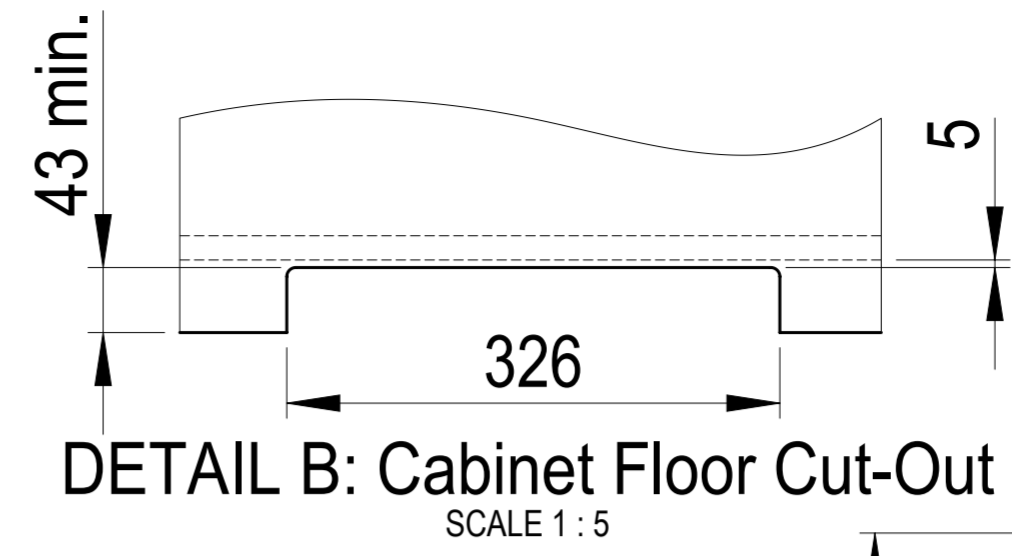


Item	Part	Rev	Description	Qty
2	800220	C	Kickboard Fan Grill	1
3	800221	C	Air Inlet Grill CFF	1
6	0056AU	00	HydroTap G4 Residential CS Base Module Upgraded 2016 w/ IEC	1
11	802107	00	Celsius Arc Tap - Chilled Sparkling	1
13	802084	A04	"Y" Connector JG 1/4"	1
15	93255	A01	Kit CO2 - 2 x 1kg Gas+Regulator, 1kg(2.2L) Cylinder	1
17	A2672	01	IEC Female Plug	1

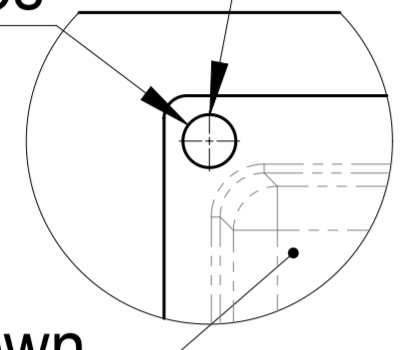
Position the Tap such that it dispenses into the sink bowl with ample clearance for a cup or a tea pot.



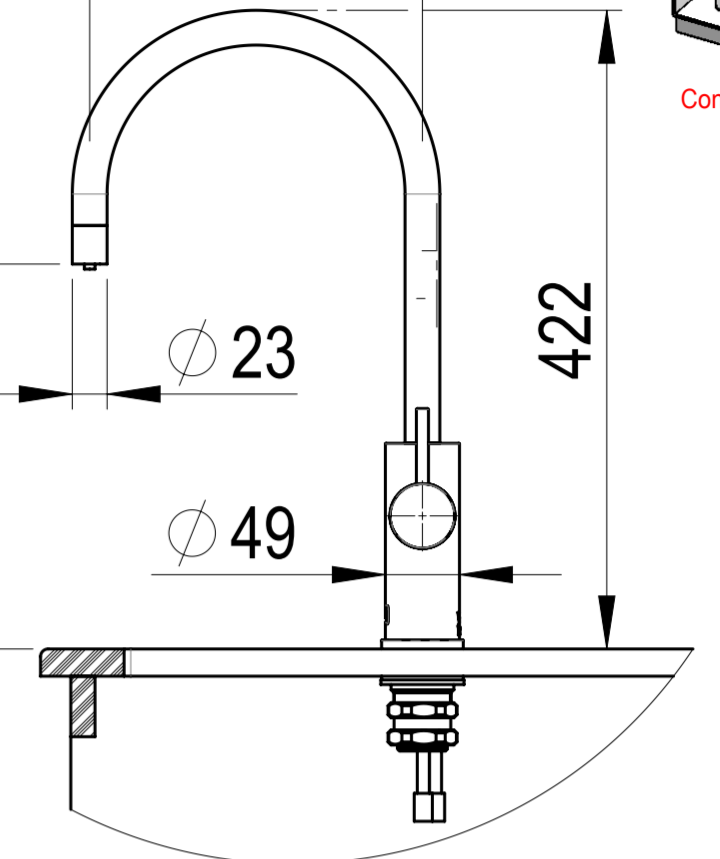
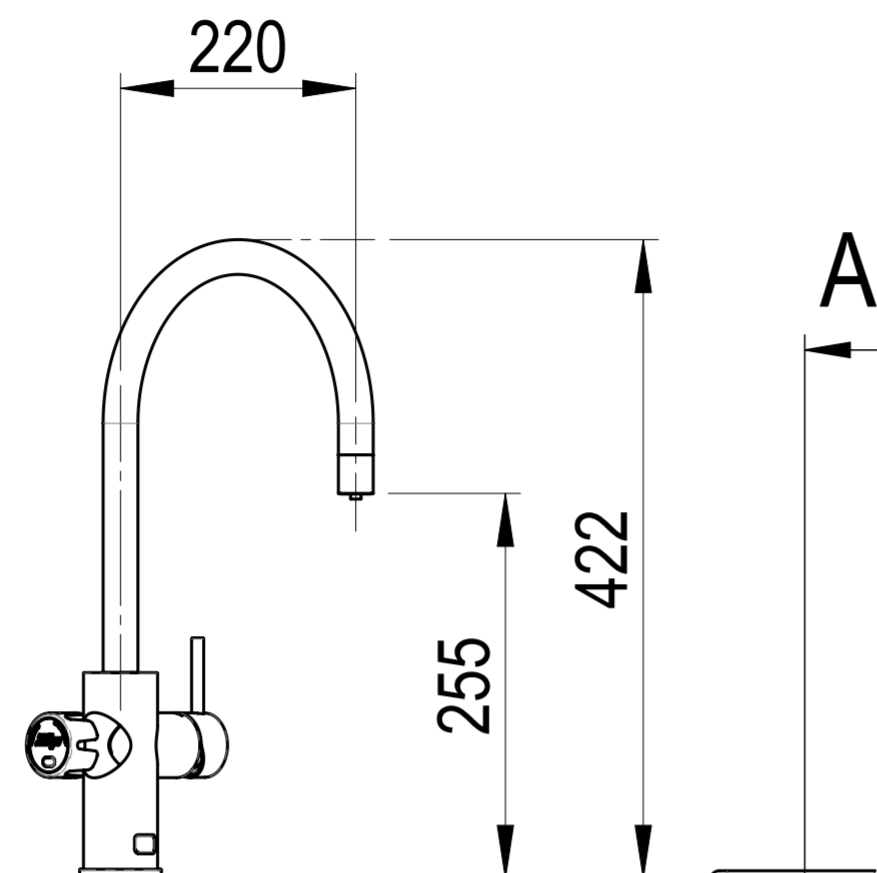
See Detail B  
Ventilation Detail



35 Hole for Celsius Taps



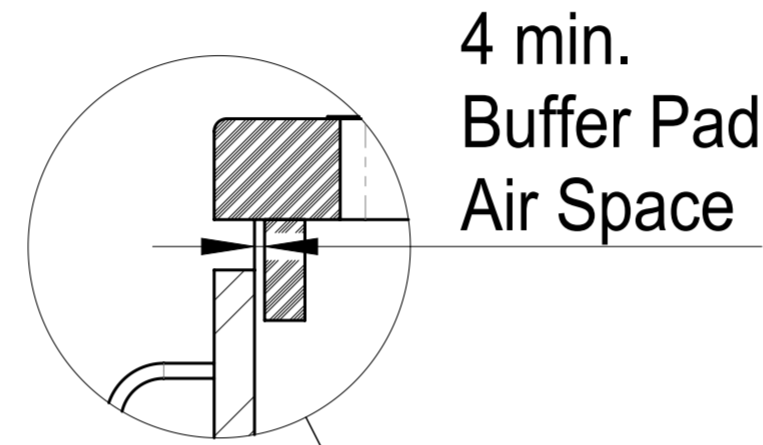
Sink shown only



Celsius Arc Tap Option

240 - 230V, 50Hz GPO

Ventilation grille

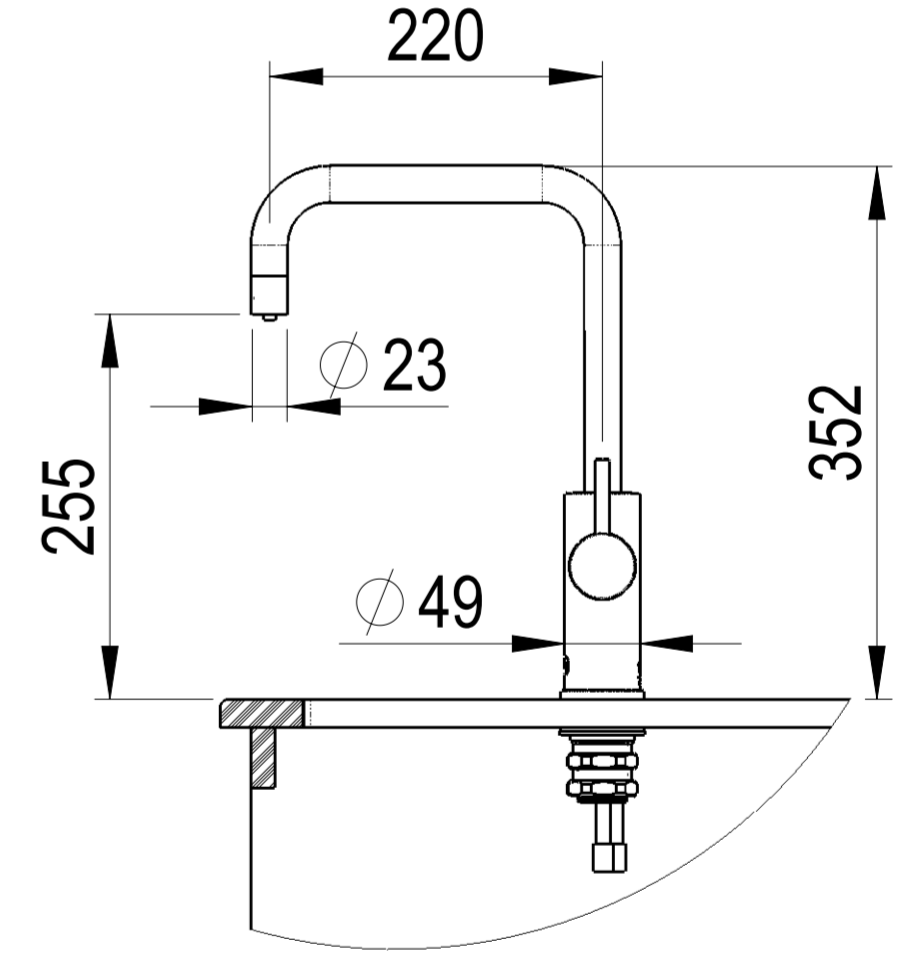


200 min  
333

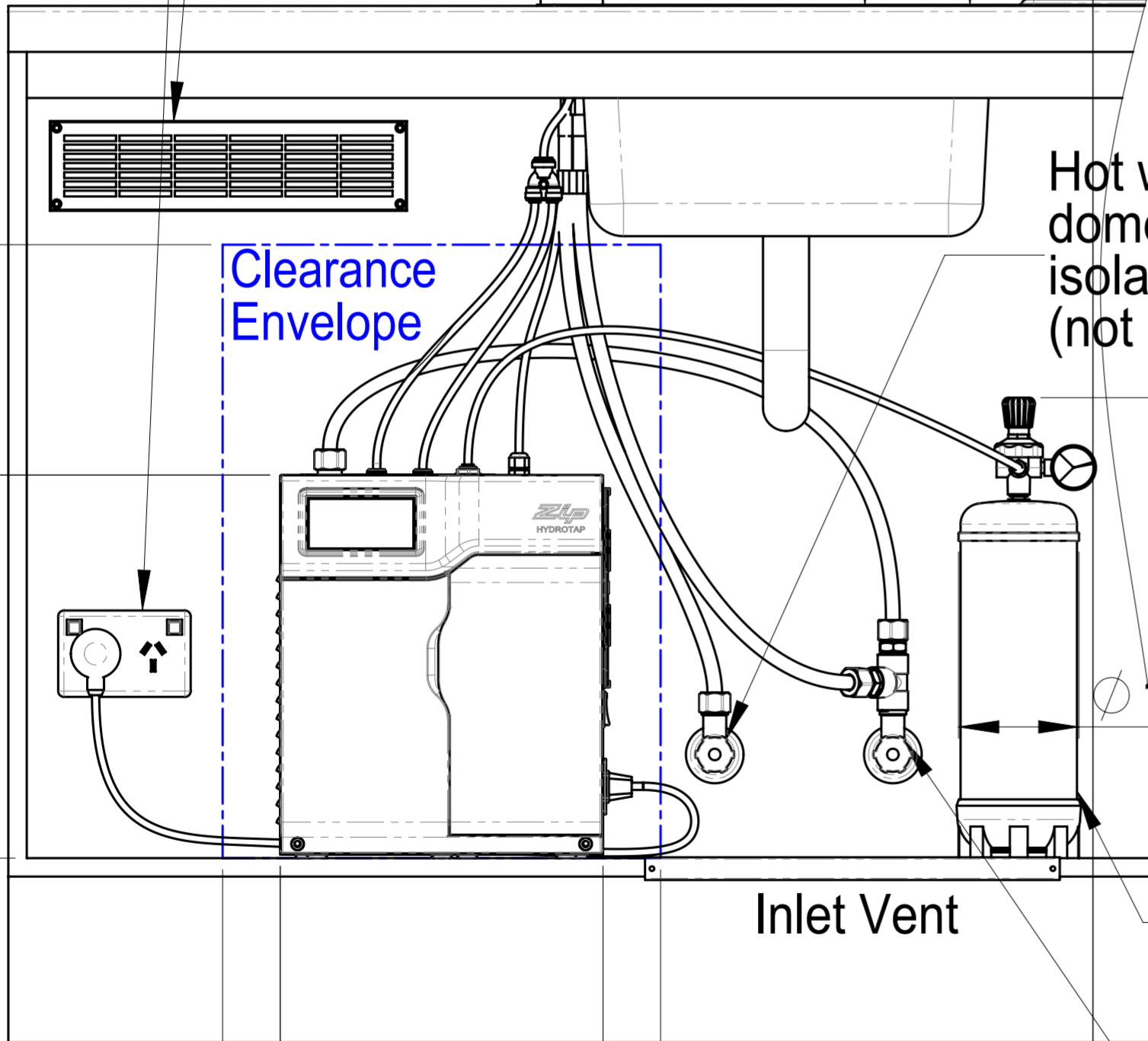
Clearance Envelope

Hot water from domestic heater isolation valve (not supplied)

Clearance Envelope



Celsius Cube Tap Option



CO2 gas cylinder & regulator

Mains cold water isolation valve (not supplied)

SECTION A-A  
SCALE 1 : 5

This set-up is applicable to:  
CS Residential:  
MT2787: 0056AU0C4ZN1R w/ Celsius Arc Tap  
MT3787: 0056AU0C5ZN1R w/ Celsius Cube Tap

<p>This drawing is CONFIDENTIAL and is supplied on the express condition that it shall not be LOANED, COPIED or DISCLOSED to any other third party or used for any purpose without the written consent of Zip Industries Pty Ltd. If this document is printed in hardcopy form, it is for INFORMATION ONLY and therefore not subject to updating controls. For the current revision ALWAYS refer to the NATIVE electronic form as stated in the top left-hand corner of this sheet. © copyright Zip Industries Pty Ltd, 16/05/2011</p>		<p>Zip Industries <b>Zip</b></p>	
<p><b>Manufacturing Instructions</b></p>		<p>Approved by: nickm on 11/11/2014</p>	
<p>Make or Buy: Buy</p>		<p>Checked by: nickm on 11/11/2014</p>	
<p>Manufacturing Route: Manufacturing Process</p>		<p>Updated by: edgar on 19/04/2016 2:03:30 PM</p>	
<p>Raw material: See Components</p>		<p>Material: See Components</p>	
<p>Remove all sharp edges. This drawing ONLY details information which cannot be ascertained from the 3D geometry of the parts attached. Model &amp; dimensions are AFTER all finishing operations.</p>		<p>Project: HydroTap G48</p>	
<p>Comments:</p>		<p>Model: KL002_0056AU0C4ZN1R</p>	
<p>Finish:</p>		<p>Configuration: Default</p>	
<p>Volume (mm<sup>3</sup>): 80720.1</p>		<p>Created by &amp; on: Edgarg on 4/05/2011</p>	
<p>Area (mm<sup>2</sup>): 151334.0</p>		<p>Created by &amp; on: Edgarg on 16/05/2011</p>	
<p>Derived from: New</p>		<p>Rev: 01</p>	
<p>Mass (g): 90592.7</p>		<p>Status: Prototype</p>	
<p>Density (g/mm<sup>3</sup>): 1.1</p>		<p>Size: A2</p>	
<p>Potable?: No</p>		<p>Recyclable?: No</p>	
<p>Handled?: No</p>		<p>Scale: 1:1</p>	
<p>Sheet: 1 of 1</p>		<p>Part Property</p>	