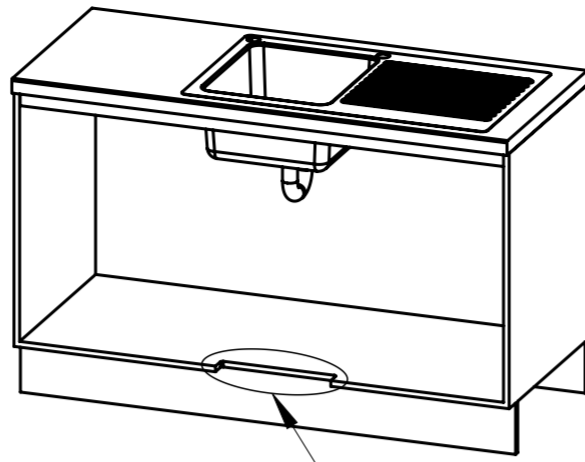
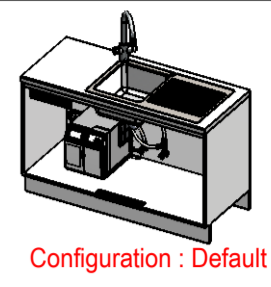
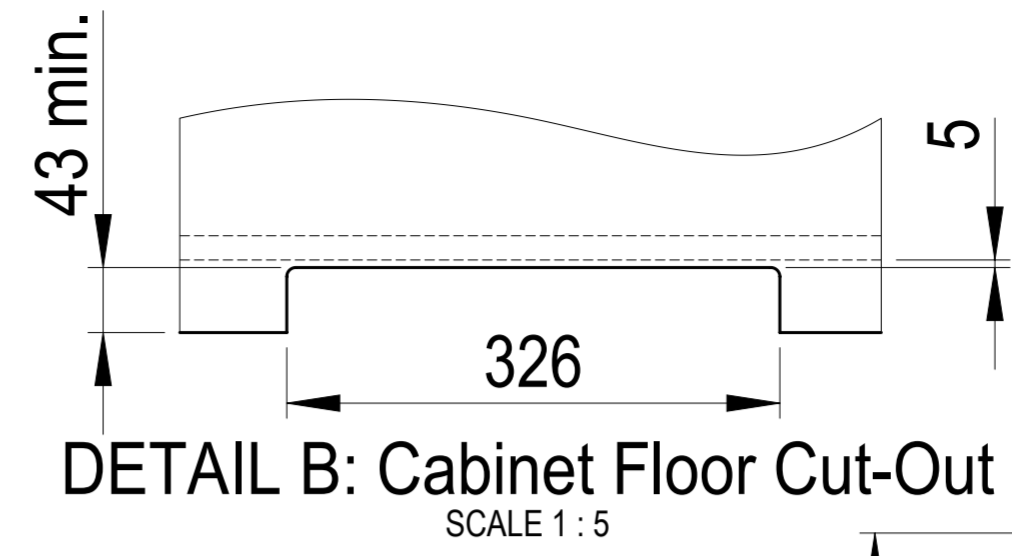


Item	Part	Rev	Description	Qty
2	800220	C	Kickboard Fan Grill	1
3	800221	C	Air Inlet Grill CFF	1
6	0014AU	00	HydroTap G4 Residential C Base Module Upgraded 2016 w/ IEC	1
7	84451	A	Tee 1/2" BSP Female (Brass)	1
8	86451	A	Nipple-Tapered 1/2" (No 27)	2
11	802103	00	Celsius Arc Tap - Chilled	1
12	A2672	01	IEC Female Plug	1

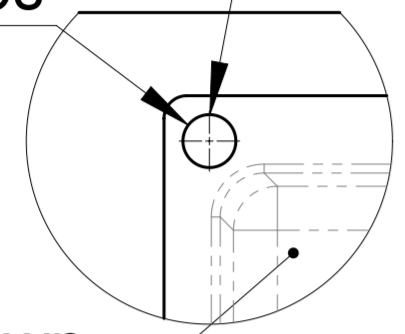
Position the Tap such that it dispenses into the sink bowl with ample clearance for a cup or a tea pot.



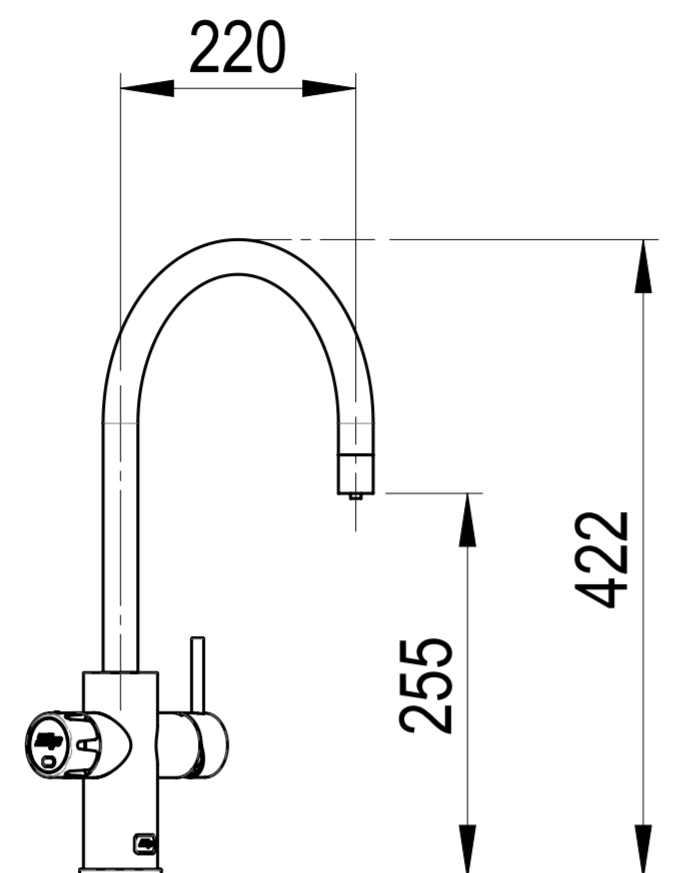
See Detail B
Ventilation Detail



35 Hole for Celsius Taps



Sink shown only

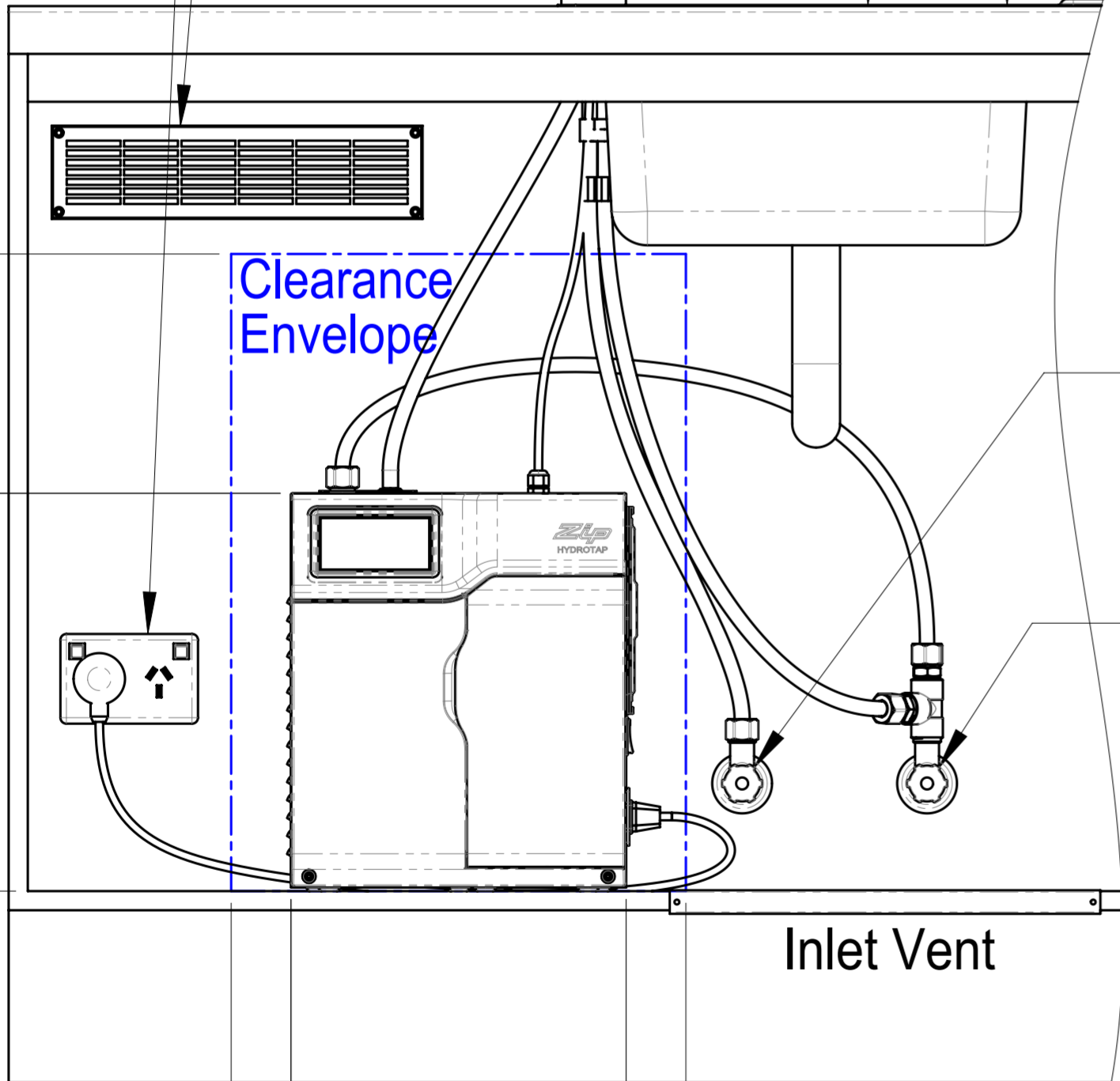


Ventilation grille

240 - 230V, 50Hz GPO

200 min
333

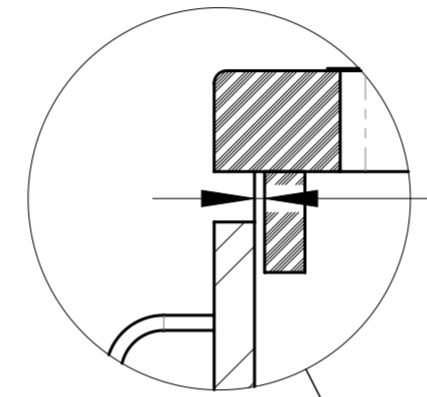
Clearance Envelope



Inlet Vent

50 min 280 50 min

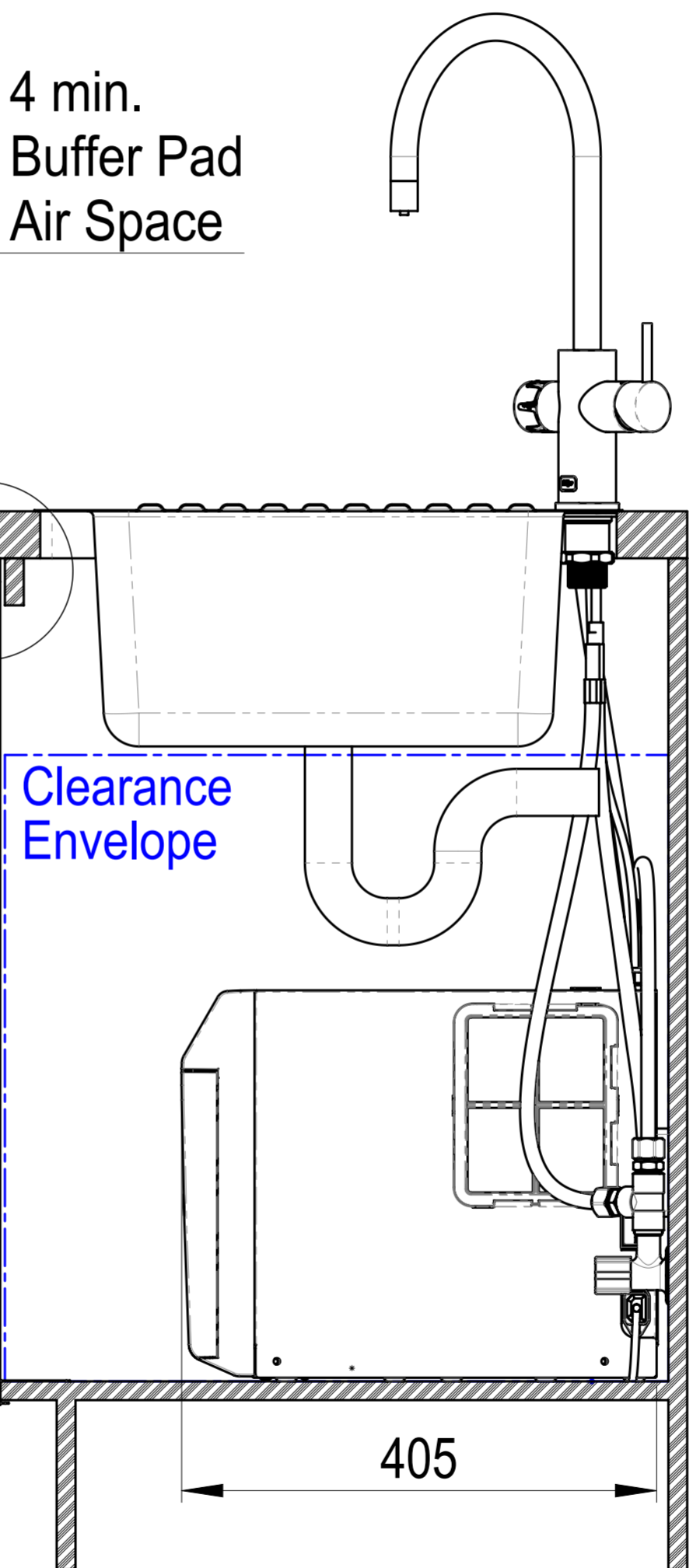
A



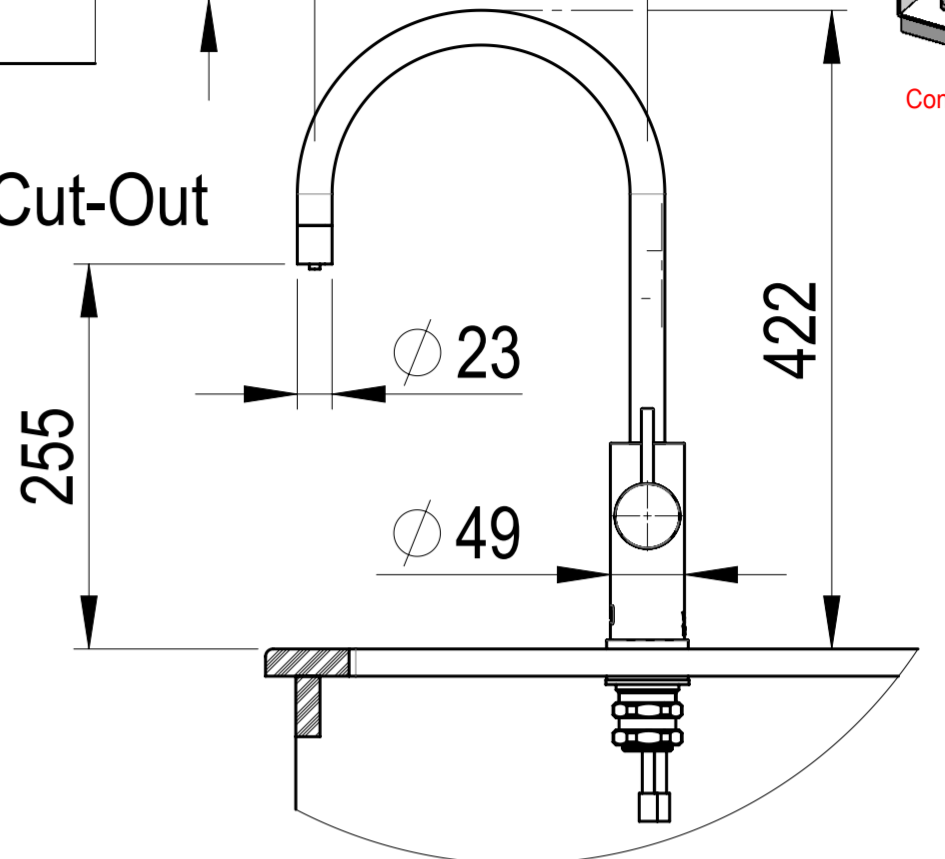
4 min. Buffer Pad Air Space

Hot water from domestic heater isolation valve (not supplied)

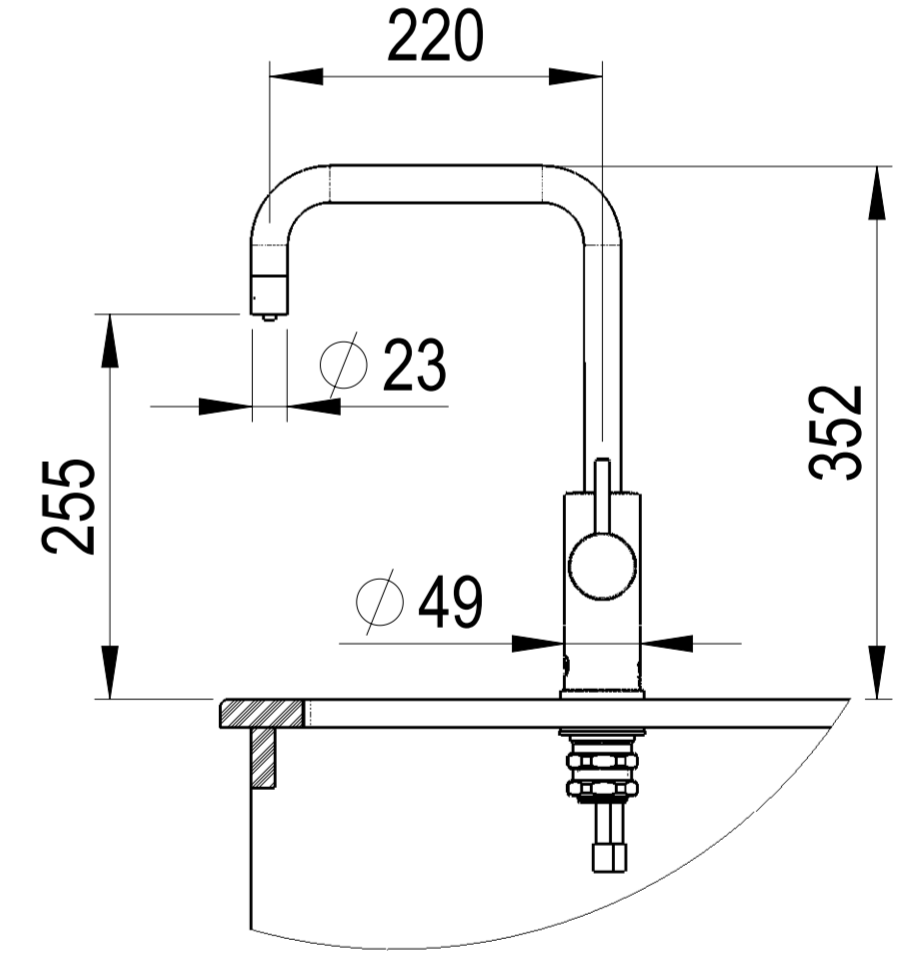
Mains cold water isolation valve (not supplied)



SECTION A-A
SCALE 1:5



Celsius Arc Tap Option



Celsius Cube Tap Option

This set-up is applicable to:
C Residential:
MT2788: 0014AU0C2ZN1R w/ Celsius Arc Tap
MT3788: 0014AU0C3ZN1R w/ Celsius Cube Tap

<p>This drawing is CONFIDENTIAL and is supplied on the express condition that it shall not be LOANED, COPIED or DISCLOSED to any other third party or used for any purpose without the written consent of Zip Industries Pty Ltd. If this document is printed in hardcopy form, it is for INFORMATION ONLY and therefore not subject to updating controls. For the current revision ALWAYS refer to the NATIVE electronic form as stated in the top left-hand corner of this sheet. © copyright Zip Industries Pty Ltd, 16/05/2011</p>		<p>Zip Industries Zip</p>	
<p>Manufacturing Instructions</p>		<p>Approved by: edgar on 20/04/2016</p>	
<p>Make or Buy: Buy</p>		<p>Checked by: edgar on 20/04/2016</p>	
<p>Manufacturing Route: Manufacturing Process</p>		<p>Updated by: edgar on 20/04/2016 9:46:26 AM</p>	
<p>Raw material: See Components</p>		<p>Material: See Components</p>	
<p>Remove all sharp edges. This drawing ONLY details information which cannot be ascertained from the 2D geometry of the parts attached. Model & dimensions are AFTER all finishing operations.</p>		<p>Project: HydroTap G48</p>	
<p>Comments:</p>		<p>Model: KL002_0014AU0C2ZN1R</p>	
<p>Finish:</p>		<p>Configuration: Default</p>	
<p>Volume (mm³): 82718.5</p>		<p>Created by & on: Edgarg on 4/05/2011</p>	
<p>Area (mm²): 166530.1</p>		<p>Created by & on: Edgarg on 16/05/2011</p>	
<p>Mass (g): 99921.6</p>		<p>Rev: 02</p>	
<p>Density (g/mm³): 12</p>		<p>Size: A2</p>	
<p>Potable?: No</p>		<p>Colour: Colourless</p>	
<p>Recyclable?: No</p>		<p>Status: Pending Pre-Production</p>	
<p>Handed?: No</p>		<p>Sheet: 1 of 1</p>	
<p>Scale: 1:1</p>		<p>Drawing Property</p>	
<p>Part Property</p>		<p>Part Property</p>	