

ZIP MICRO TAP B OR BC



Order code:

M1001AU - Micro B10 Bright Chrome Tap

M1002AU - Micro B10 Matte Black Tap

M1005AU - Micro BC10 Bright Chrome Tap

M1006AU - Micro BC10 Matte Black Tap

Zip Micro Boiling or Boiling & Chilled, Filtered water appliance featuring a single under bench command centre with pre-configured settings and modes including filter change and service alert, energy saving mode, temperature indicator, safety lock and 0.2 micron water filtration.



Bright Chrome

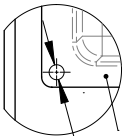
Matte Black

Capacity	Up to 10 people
Disability options	Unavailable

Taps	Zip Micro Tap (Bright Chrome or Matte Black)
Water Pressure	Min 150 kPa - Max 700 kPa
Water Connection	12.7 mm (1/2") BSP (G1/2")
Water Supply Requirements	Cold
Water Valves	350 kPa Pressure Limiting Valve (supplied)
Power Rating	Boiling Only: 220-240V, 50 Hz, 1.39kW Boiling & Chilled: 220-240V, 50 Hz, 1.52kW
Power Supply	1x10 Amp power outlet
Dimensions (WxDxH)	Boiling Only: 180 x 270 x 340 Boiling & Chilled: 180 x 502 x 340
Product Approvals	Boiling Only: WMKA00099, AS3498, RCM Boiling and Chilled: WMKA21821, WMTS105, RCM, ARC (AU02691)
Warranty	2 years

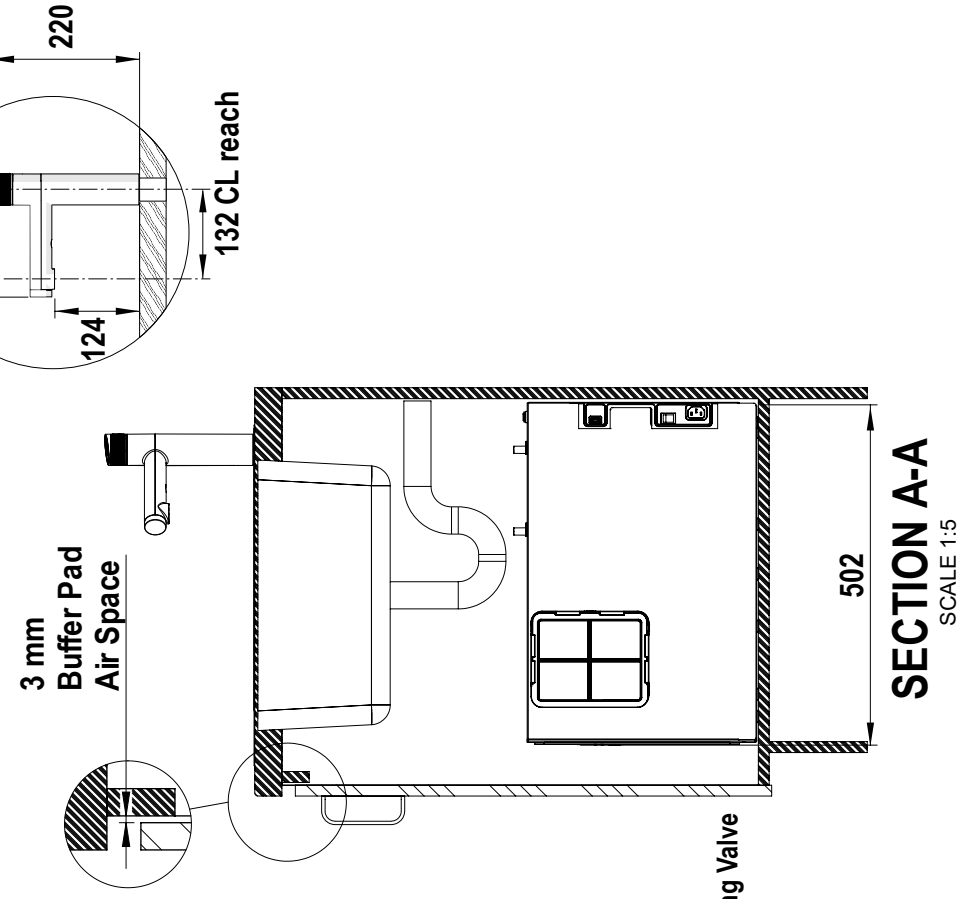
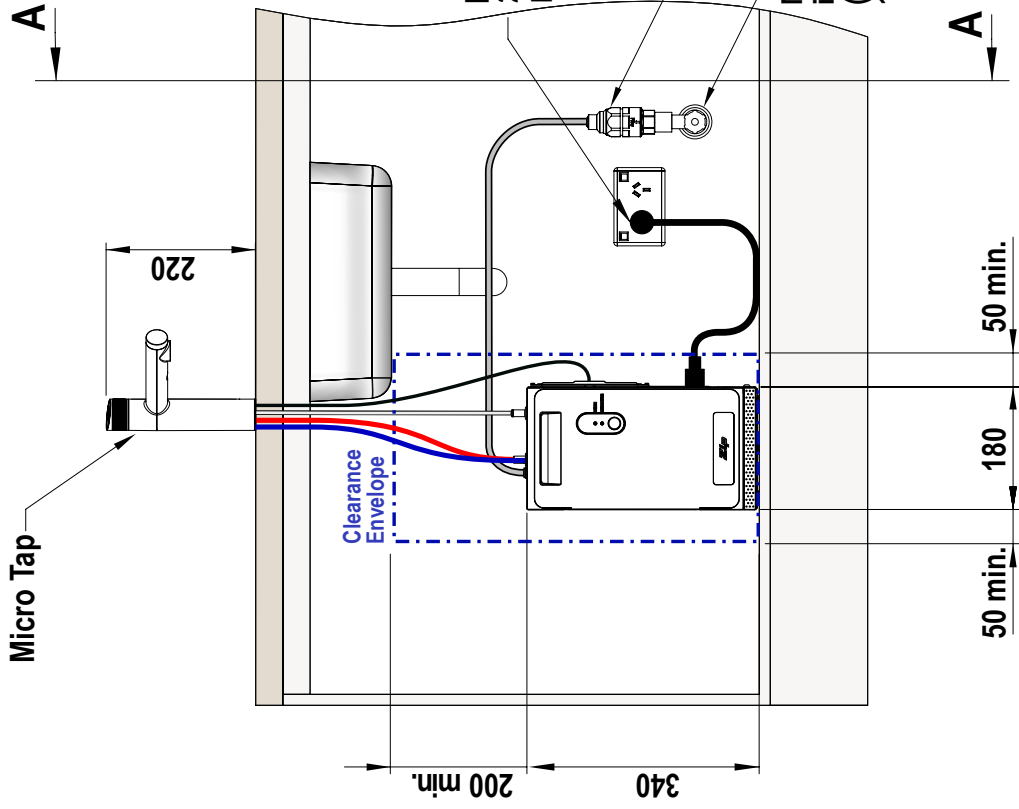
Installation Requirements

1. Installation and connection of your Zip Micro Tap must be carried out by a qualified person, observing national and local regulations.
2. You will require suitable mains electrical and drinking water connections, plus waste water drainage all within 1 metres of the product.
3. Zip Micro Tap is air-cooled so discrete cabinetry cut-outs are required for ventilation.
4. Installation on most bench tops is straightforward however some stone bench tops may require a specialised cutting service.
5. If you live in a hard water area, we recommend installation of a scale filtration kit.
6. Installation by Zip Professional Service can be arranged with a phone call to 1800 42 43 44 or through www.zipwater.com

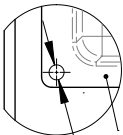


 ∅ 35 mm hole
 Sink shown only

Position the Tap such that it dispenses into the sink bowl with ample clearance for a cup or a carafe.
 Alternatively, the Tap could be mounted away from the sink using a Zip Font, available as an accessory.



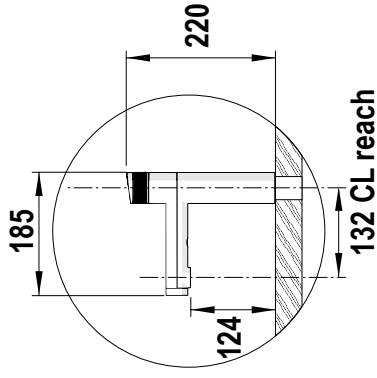
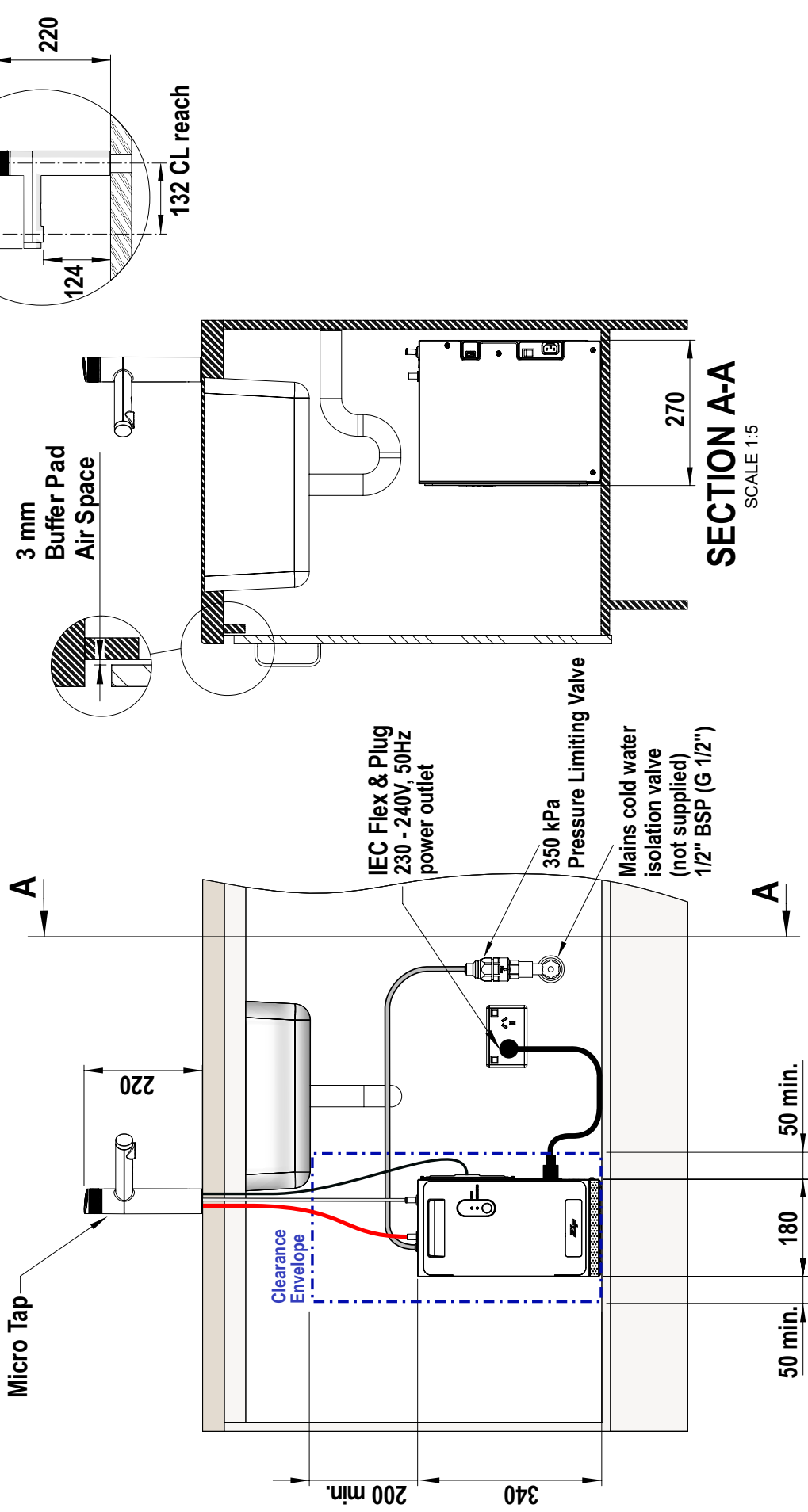
Micro - Boiling/Chilled



 ∅ 35 mm hole

 Sink shown only

Position the Tap such that it dispenses into the sink bowl with ample clearance for a cup or a carafe. Alternatively, the Tap could be mounted away from the sink using a Zip Font, available as an accessory.



3 mm Buffer Pad
 Air Space

SECTION A-A
 SCALE 1:5

Micro - Boiling Only