



# Zip Instantaneous Hot Water



Electronically controlled instantaneous water heater

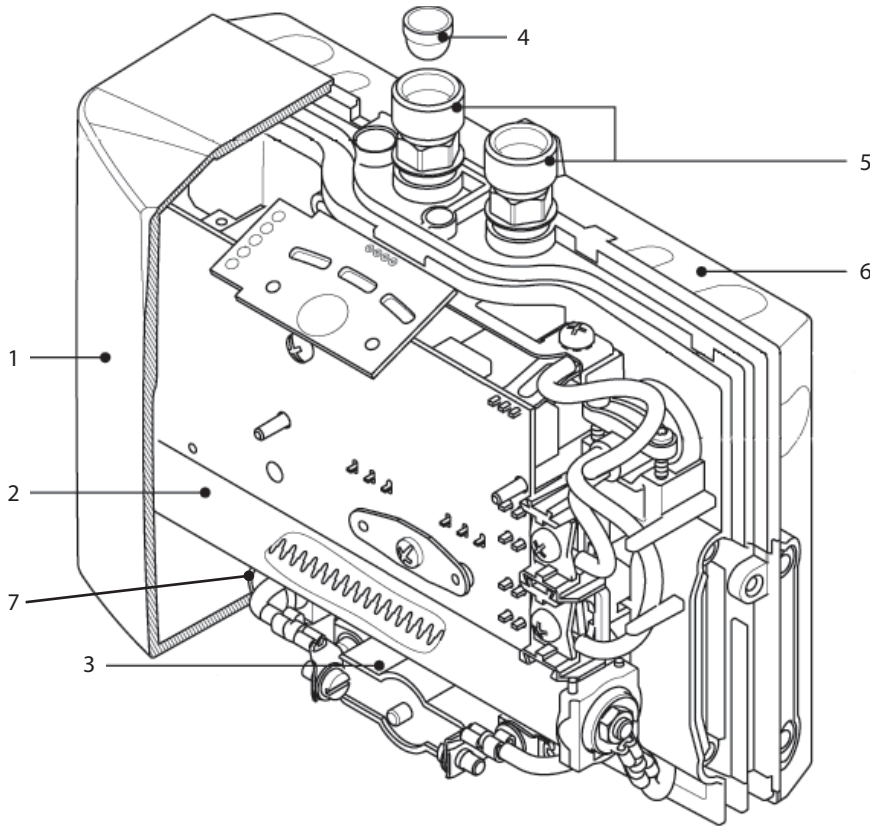
MCX: 27300, 27400 and 27600 models

Instructions for the user

These appliances deliver water not exceeding 50 °C in accordance with AS3498.

## 1. Overview

When ordering spare parts, please always specify the appliance model and serial number.



Pos.	Part.-No.	Description	Pos.	Part.-No.	Description
1		Hood with control panel	6		MCX complete fixing set (wall bracket with screws and dowels)
2	<b>801119</b>	<b>MCX heating cartridge 3.5 kW / 230V</b>	7	<b>801123</b>	<b>Temperature sensor (polarity protection)</b>
	<b>801120</b>	<b>MCX heating cartridge 4.4 kW / 230V</b>			not shown:
	<b>801121</b>	<b>MCX heating cartridge 5.7 kW / 230V</b>			MCX3 mains cable with earthed plug, cable seal and strain relief
3		MCX Safety temperature limiter (STB) with modification instructions, contact fitting, seals etc. • 2-pole • 1-pole			MCX4 mains cable (without plug), cable seal and strain relief
4	<b>801122</b>	<b>MCX Filter</b>			MCX6 mains cable (without plug), cable seal and strain relief
5		MCX water connector-set with two water connectors and seals (mounted and greased) fastening safety earthing terminal and filter			MCX set of small spare parts (seals, nozzle for cable entry, terminal, installation grease, screws, wheel nut & discs)

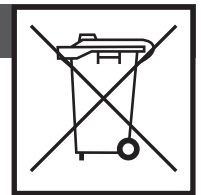
Parts in **Bold Type** are available as **Spare Parts**.  
Other parts are available on request.

## Contents

1. Overview	.....	2
2. Environment and recycling	.....	3
3. Safety instructions	.....	4
4. Technical specifications	.....	5
5. Typical Installation	.....	6
6. Description of appliance	.....	8
7. Operation	.....	8
8. Additional features	.....	9
9. Maintenance	.....	10
10. Fault finding	.....	10
11. Notes	.....	11

## 2. Environment and recycling

This symbol on the products and / or accompanying documents means that used electrical and electronic products should not be mixed with general household waste. For proper treatment, recovery and recycling, please take these products to designated collection points. Alternatively, in some countries you may be able to return your products to your local retailer upon the purchase of an equivalent new product. Disposing of this product correctly will help to save valuable resources and prevent any potential negative effects on human health and the environment which could otherwise arise from inappropriate waste handling. Please contact your local authority for further details of your nearest designated collection point. Penalties may be applicable for incorrect disposal of this waste, in accordance with national legislation. If you are a business user and you wish to discard electrical and electronic equipment, please contact your dealer or supplier for further information. This symbol is only valid in the European Union.



### 3. Safety instructions

Installation, initial operation and maintenance of this appliance must only be conducted by an authorised professional, who will then be responsible for adherence to applicable standards and installation regulations. We assume no liability for any damages caused by failure to observe these instructions.

- Do not use the appliance until it has been correctly installed and unless it is in perfect working order.
- The appliance is suitable but not limited to domestic use and similar applications inside closed, frost-free rooms, and must only be used to heat potable water from mains supply.
- The appliance must never be exposed to frost.
- The appliance must be earthed at all times.
- The minimal specific water resistance must not fall below the value stated on the label.
- The maximum water pressure must not exceed the value on the label.
- Before commissioning for the first time and each time the appliance is emptied (e.g. due to work on the plumbing system, if there is a risk of freezing or in case of maintenance), the appliance must be vented correctly in accordance with the instructions in this manual.
- Do not remove the front cover under any circumstances before switching off the mains electrical supply to the unit.
- Never make technical modifications, either to the appliance itself or the electrical leads and water pipes.
- Pay attention to the fact that water temperatures in excess of approx. 43 °C are perceived as hot, especially by children, and may cause a feeling of burning. Please note that the fittings and taps may be very hot when the appliance has been in use for some time.
- Water inlet temperature must not exceed 70 °C.
- In case of malfunction, disconnect the fuses immediately. In case of leaks, cut off the cold water supply instantly. Repairs must only be carried out by the customer service department or an authorised professional.
- This appliance must not be used by any person (including children) with limited physical, sensorial or mental abilities or failing experience and/or knowledge unless they are supervised by a person responsible for their safety or received instructions about how to use the appliance. Children should be supervised in order to make sure that they do not play with the appliance.

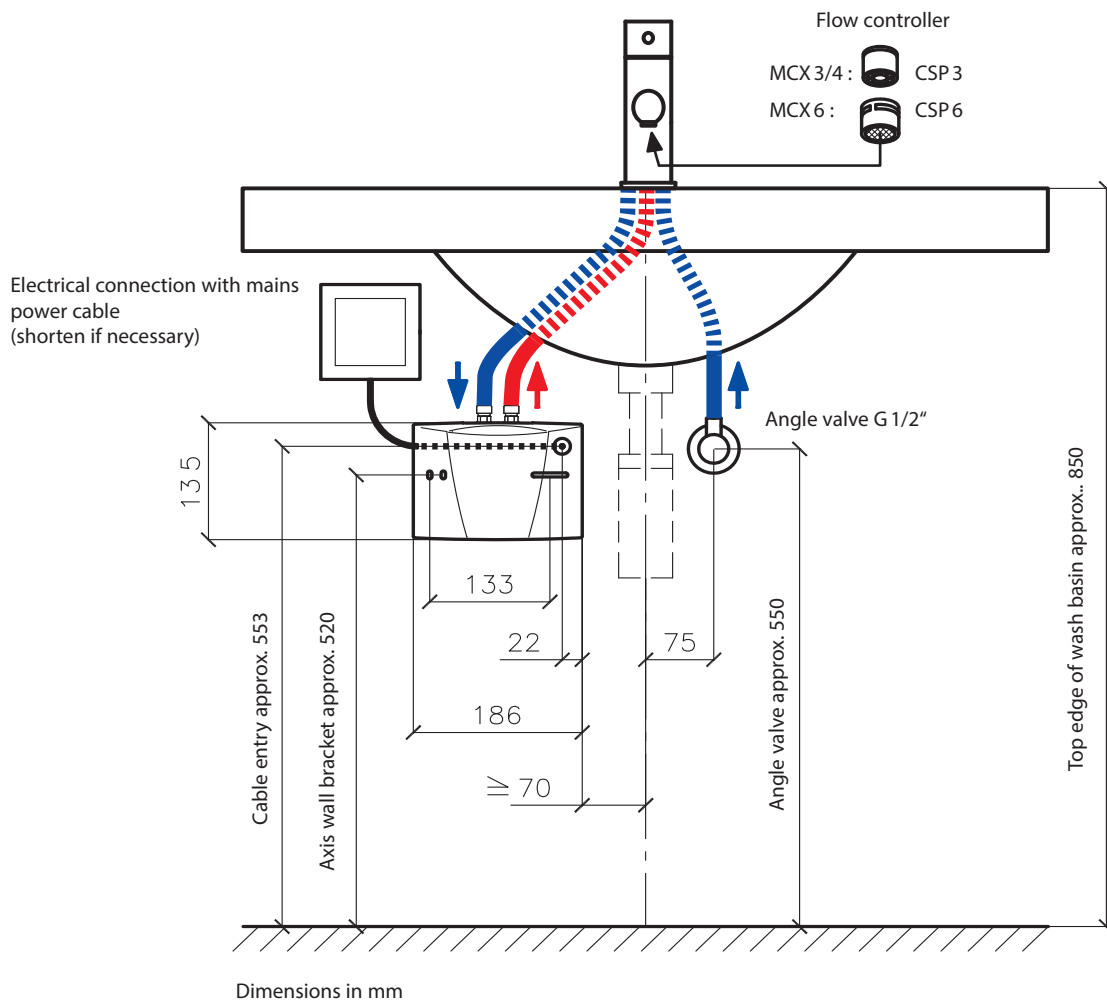


## 4. Technical specifications

Type	MCX 3	MCX 4	MCX 6
Part no.	27300	27400	27600
Capacity (Liter)	0,2	0,2	0,2
Nominal pressure MPa (bar)	1 (10)	1 (10)	1 (10)
Heating system	IES system bare resistance element		
Required water resistance at 15 °C in $\Omega$ cm	$\geq 1100$	$\geq 800$	$\geq 800$
Electric supply	1/N/PE ~ 220V – 240 V		
Nominal power rating	3,5 kW	4,4 kW	5,7 kW
Nominal current	15 A	19 A	25 A
Temperature choice	35 °C – 38 °C – 45 °C		
Factory temperature setting	38 °C	38 °C	38 °C
Maximum inlet temperature	70 °C	70 °C	70 °C
Factory flow setting at 0.3MPa (3 bar)	2,0 l/min	2,5 l/min	3,3 l/min
Maximum temperature increase at rated power and a flow rate of..... <sup>1</sup>	2,0 l/min	25 K	31 K
	2,5 l/min	20 K	25 K
	3,0 l/min	17 K	21 K
	3,5 l/min	14 K	18 K
	4,0 l/min	12 K	16 K
Required l/min to switch on (l/min)	1,2	1,5	1,5
Required l/min to switch off (l/min)	1,0	1,3	1,3
Min. required cable size <sup>2)</sup>	See note 2)		
Weight filled with water (kg)	approx. 1,5		
Dimensions H × W × D (mm)	135 × 186 × 87		
Protection class acc. to VDE	1		
Ingress protection according to VDE	IP 25		
<p>1) Temperature rise (Kelvin) + cold-water temperature = maximum hot-water temperature (°C) <math>\leq 70</math> °C</p> <p>2) The cross sectional area of the connection cable must be in accordance with the power rating of the appliance and the specific requirements of AS/NZS 3000.</p>			

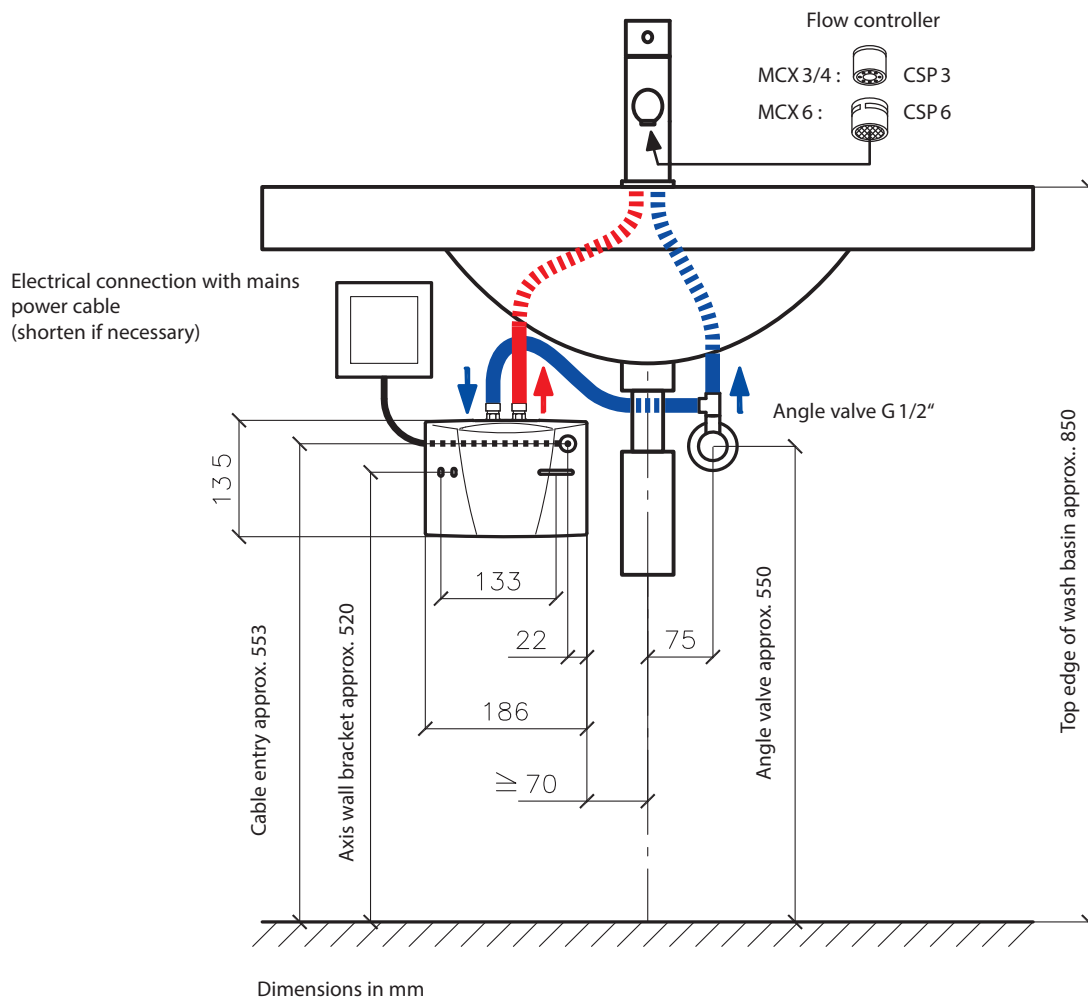
## 5. Typical installations

Vented installation with special open outlet tap



## 5. Typical installations

Unvented installation  
(closed outlet) with tap for  
pressurised appliances



## 6. Description of appliance

The Zip instantaneous water heaters are compact electronically controlled water heaters. It is intended to provide economical heating of water for a wash basin when installed together with a sanitary water fitting. When the hot-water tap is opened, the heater switches itself on automatically when the minimum water flow rate is exceeded and heats the water as it passes through the appliance.

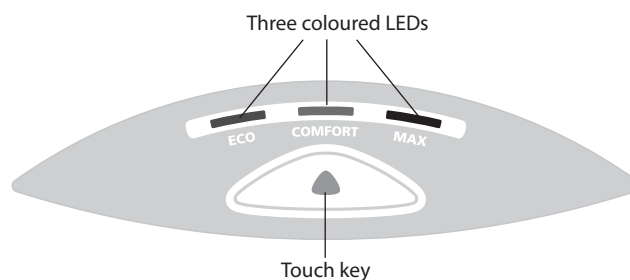
There are 3 available temperature settings, 35°C, 38°C and 45°C (Max).

For best performance, always fit the special flow controller included with the appliance. This controller is inserted into the outlet at the end of the tap and fits into any standard sleeve size M22/24.

The maximum possible outlet temperature is determined by the temperature of the incoming water, the rate of flow and the heating power of the appliance.

This appliance delivers water not exceeding 50°C in accordance with AS3498.

## 7. Operation



### Temperature setting

The “Touch” key  allows you to select one of three preset temperatures.

Every key press sets the temperature to the next level:

35 °C >  > 38°C >  > 45°C (MAX) >  > 35°C

Pressing the key  once again, starts the cycle all over.

The currently selected temperature is indicated by one of three coloured LEDs.

### Key lock and temperature lock

The currently selected temperature setting can be locked against unintended changes. Thus, the temperature cannot be changed by a single keypress.

Activate keylock/ Deactivate keylock:

Press “Touch” key (for approx. 5 seconds) until the active LED goes out, then release “Touch” key.



## 8. Additional features

### Activate / De-activate LED display

As part of the appliance's energy saving feature, the active LED will automatically turn off 20 seconds after the last operation (e.g. tapping or temperature selection).

To identify the current / selected setting at any time, the LED display can be enabled permanently therefore disabling the LED standby function:

- Turn off the water at the outlet from the appliance.
- Press and hold the "Touch" key for at least 7 seconds. NB: the LEDs will go out after 5 seconds for a period of approximately 1.5 seconds then light up again.
- While still holding down the "Touch" key, turn on the outlet tap. The LED will go out as confirmation that this option is now selected.
- Release the "Touch" key and turn off the outlet tap.

If the tap is opened or the touch key is used in LED standby mode (LED off), the last active LED lights up (wake up), but the temperature setting will not change yet. Only when pressed once again, the temperature setting will be adjusted.

The LED Standby function can be re-activated using the same process above.

NB:

This function is retained even after power failure.

## 9. Maintenance

- The appliance and fittings should only be cleaned with a damp cloth. Do not use abrasive or chlorine-based cleaning agents or solvents.
- Keep the control panel area dry!
- Clean the jet regulator regularly and replace as necessary.
- Dirt and scale deposited in the pipes and appliance will affect its function. Typical indications of this are a reduced flow rate or noisy flow. In such cases, have the appliance inspected by a qualified technician and, if necessary, have the filter in the cold-water inlet cleaned.

## 10. Fault finding

Repairs should only be carried out by qualified tradespersons familiar with electric instantaneous water heaters.

All service work should be performed by an authorized Zip service technician – for details of the full range of services available call Zip Service on 1800 460 222.

When calling for service, please always specify the appliance model and serial number.

The following table will be helpful in determining the causes of some common problems and their solutions.

Problem	Cause	Solution
Cold water at outlet	Circuit breaker tripped	Reset circuit breaker
	Water flow is not sufficient	Increase the water flow to the appliance
Slow water flow rate at outlet	Flow controller not fitted	Fit the correct flow controller (see Section 6) or contact Zip Service
	Water pressure not sufficient	Contact Zip Service
	Dirt in the pipes	Clean filter, if problem persists, contact Zip Service
No water at outlet	Water supply is turned off	Turn on water supply
Appliance switches itself on and off	Varying water pressure / flow rate is too low	Clean filter, increase the water flow to the appliance. If problem persists, contact Zip Service
Hot water temperature not stable during use	Supply voltage varies / Water connections reversed	Contact Zip Service
Hot water temperature too low and/or one LED flashes slowly	Flow rate is too high	Adjust the flow either at the tap, the valve or the flow adjustment screw. Zip Service should be contacted to adjust the flow adjustment screw
	Voltage supply is too low	Contact Zip Service
	Faulty heating element	Contact Zip Service
One LED flashes fast and water remains cold	Defective temperature sensor	Contact Zip Service
	Faulty heating element	Contact Zip Service
All LEDs flashing fast and water is warm	Defective control panel	Contact Zip Service
All LEDs flashing fast and water is cold	Defective power unit	Contact Zip Service
LEDs turn off shortly after key press	Keylock function is active	Deactivate Keylock, see instructions on page 8



**Head Office**

Zip Heaters (Aust) Pty. Ltd.  
ABN: 46 000 578 727  
67 Allingham Street  
Condell Park NSW 2200  
Postal: Locked Bag 80  
Bankstown 1885 Australia

Website: [www.zipheaters.com](http://www.zipheaters.com)  
Facsimile: (02) 9796 3858

Telephone: (02) 9796 3100  
Free Call: 1 800 638 633

As Zip policy is one of continuous product improvement, changes to specifications may be made without prior notice. Images in this booklet have been modified and may not be true representations of the finished goods.

The logo for Zip, featuring the word "Zip" in a stylized, italicized, outlined font with a registered trademark symbol.

...the innovative hot water solution.