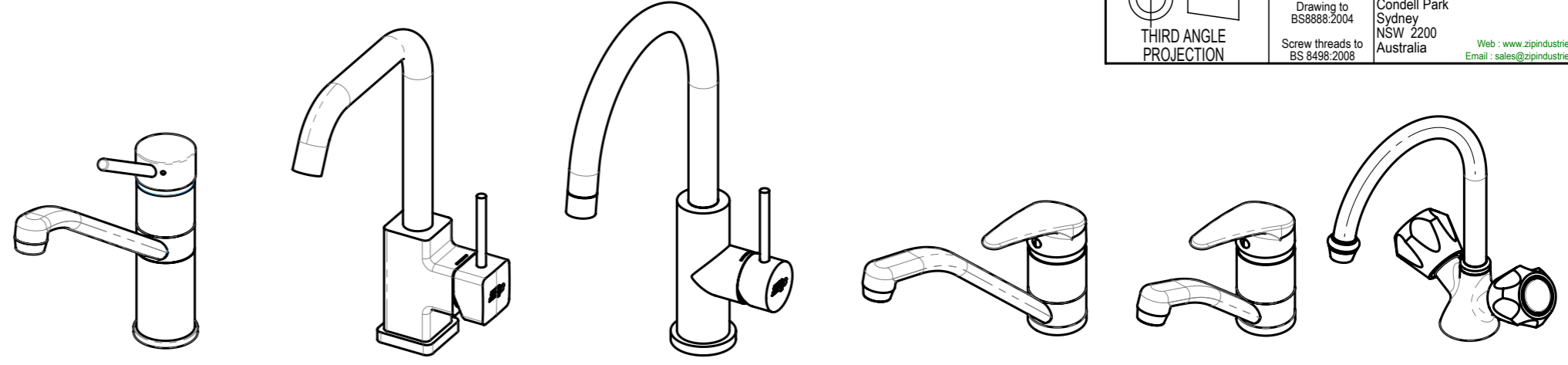
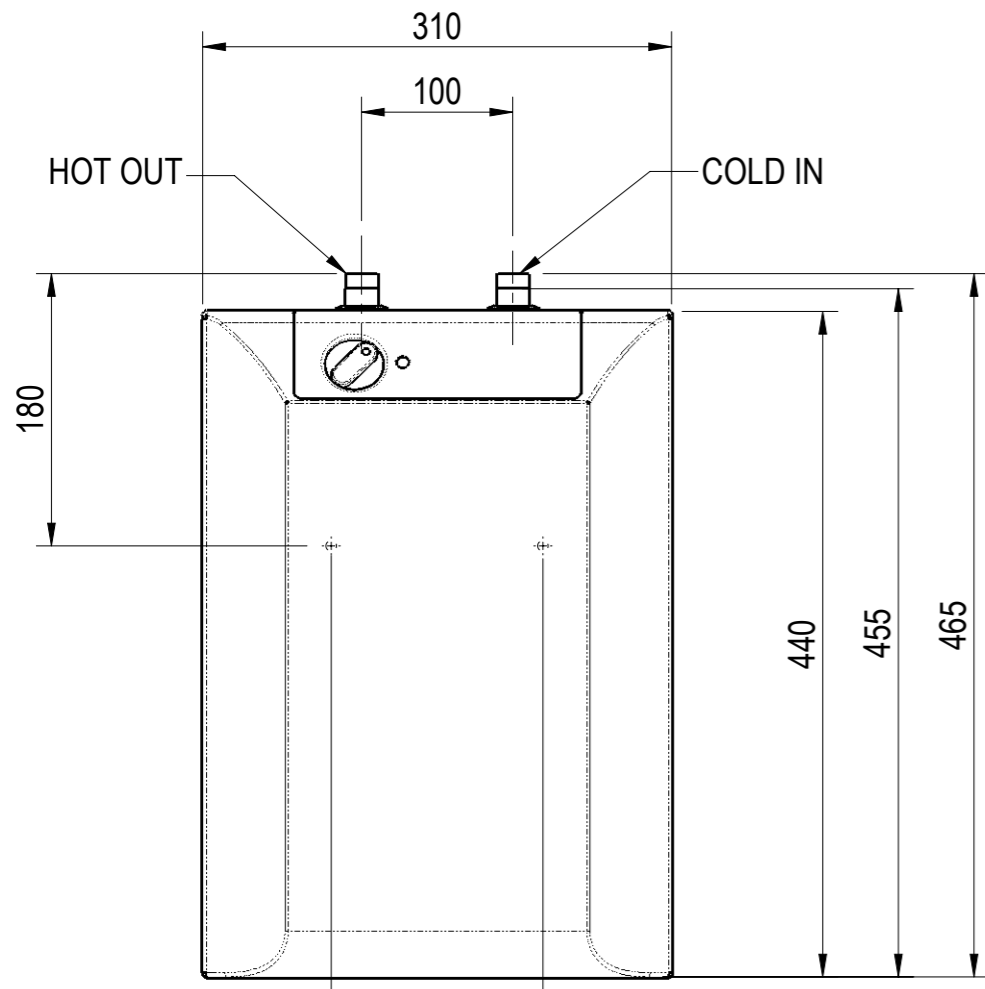


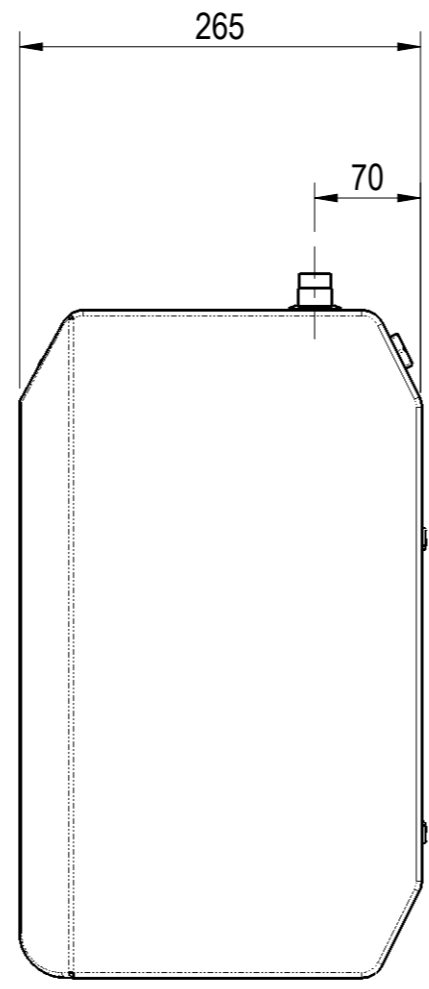
TOP VIEW
SCALE 1 : 5



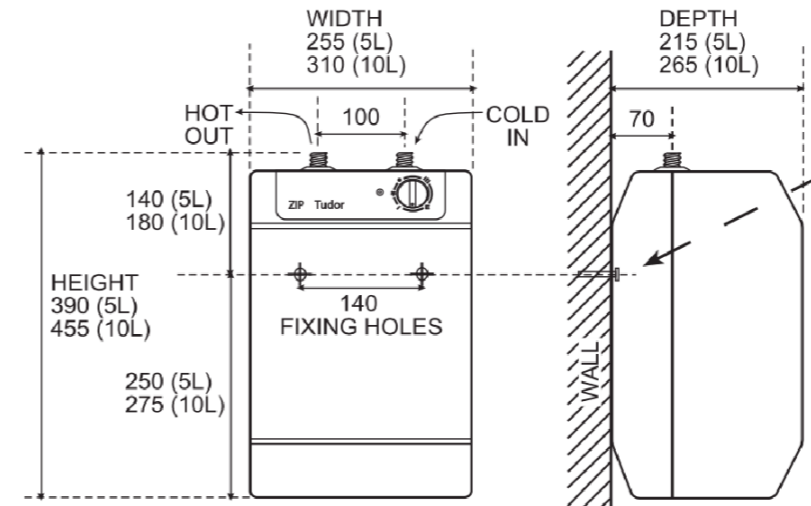
CLASSIC MIXER 92258 CUBE MIXER 93817 ARC MIXER 93816 HERO 99051 SOLO 99075 MONO 99076



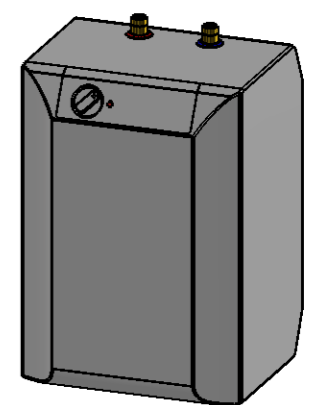
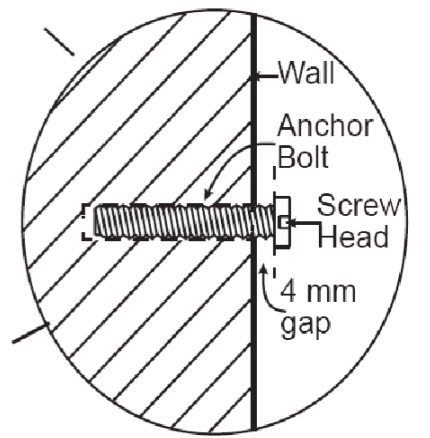
FRONT VIEW
SCALE 1 : 5



RIGHT SIDE VIEW
SCALE 1 : 5



FRONT VIEW SIDE VIEW
UNDER SINK INSTALLATION



Isometric View (1:1)
Configuration : Default

This drawing is CONFIDENTIAL and is supplied on the express condition that it shall not be LOANED, COPIED or DISCLOSED to any other third party or used for any purpose without the written consent of Zip Industries Pty Ltd. If this document is printed in hardcopy form, it is for INFORMATION ONLY and therefore not subject to updating controls. For the current revision ALWAYS refer to the NATIVE electronic form as stated in the top left-hand corner of this sheet. © copyright Zip Industries Pty Ltd, 13/03/2013

Zip Industries **Zip**

Manufacturing Instructions		Approved by : Unapproved on 1/01/2001	Description : 10L Under/Sink (No Tap) V09 Zip Tudor Single Outlet H/Watr	
Make or Buy : Make	Checked by : Unchecked on 1/01/2001			
Manufacturing Route : See Components	Updated by : edgarG on 25/05/2015 2:25:55 PM			
Raw material : See Components	Material : See Components	Project : Washroom Products: Tudor®	Configuration : Default	
Remove all sharp edges. This drawing ONLY details information which cannot be ascertained from the 3D geometry of the part(s) attached. Model & dimensions are AFTER all finishing operations	Finish : See Components	Model : 21102	Created by & on	EdgarG on 13/03/2013
		Drawing : 21102		Created by & on
Comments : Converted by nickm @ 15/02/2013 14:26:55	Volume (cm3) : 3204.9	Area (cm2) : 12132.2	Derived from : New	Colour : Colour
Potable? : No	Recyclable? : No	Handed? : No	Mass (g) : 3204.9	Density (g/cm3) : 1.0
		Scale : 1:1	Sheet : 1 of 1	Status : Production
		Drawing Property		Part Property

Rev B
Size A3